

LIGHT AT THE HIGHEST LEVEL



2024/25

PROJECTS

OVERVIEW

ANBAULEUCHTEN | SURFACE MOUNTED LUMINAIRES | LUMINAIRES EN SAILLIE



LINE40
82



LINE50
84



LINE50hex
86



LINE50quad
88



officeLINE50
90



LINE70
92



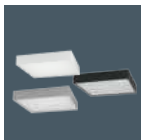
RING50
94



FLEX50
96



ROUND90
98



SQUARE90
100



techDOT150surface
102

HÄNGELEUCHTEN | PENDANT LUMINAIRES | SUSPENSIONS



LINE40
106



LINE50
108



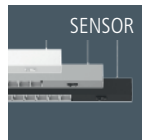
LINE50hex
110



LINE50quad
112



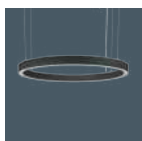
officeLINE50
114



officeLINE50
SENSOR
116



LINE70
118



RING50
120



FLEX50
122



ROUND90
124



SQUARE90
126

WANDLEUCHTEN | WALL LUMINAIRES | APPLIQUES MURALES



LINE40
130



LINE50
132



LINE70
134



ROUND90
136



SQUARE90
138

EINBAULEUCHTEN | *RECESSED LUMINAIRES* | *LUMINAIRES ENCASTRABLES*



LINE40
142



LINE50
144



officeLINE50
146



LINE70
148



RING50
150



FLEX50
152



ROUND90
154



designDOT
156



designSQOT
158



techDOT
160



techSQOT
162

SCHIENENSTRAHLER | *TRACK SPOTLIGHTS* | *PROJECTEURS SUR RAIL*



trackS
166



trackM
168





Developed in **Tyrol**
Leading worldwide
Always **accessible**



PRODUKT FAMILIEN

Product Families

Familles De Produits



LINE 40

HIGH EFFICIENCY

The high luminous output at low power provides an energy efficient luminaire – up to 142 lm/W.

4 MOUNTING VERSIONS

The luminaire is available as surface, pendant, recessed or wall luminaire.

MAKE YOUR WISH COME TRUE

An including sensor, emergency light or many other options are available on demand.

INDIVIDUAL SHAPES

Due to a modular system, we can make a special form for your desire.

LIGHT WHERE YOU WANT IT

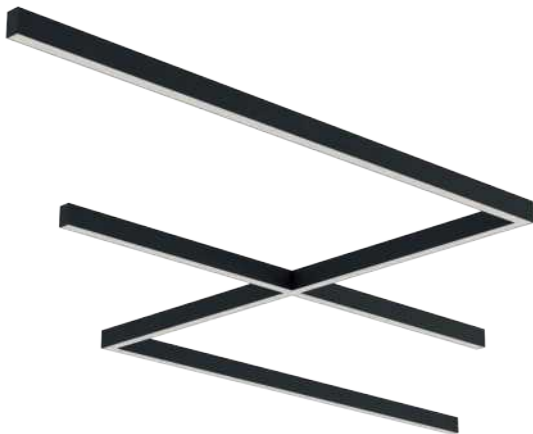
The luminaire is available either with direct light only or also with additional indirect light.

SMALL SIZE

The direct luminaire has a height of 62mm – 10mm less than the direct + indirect profile.

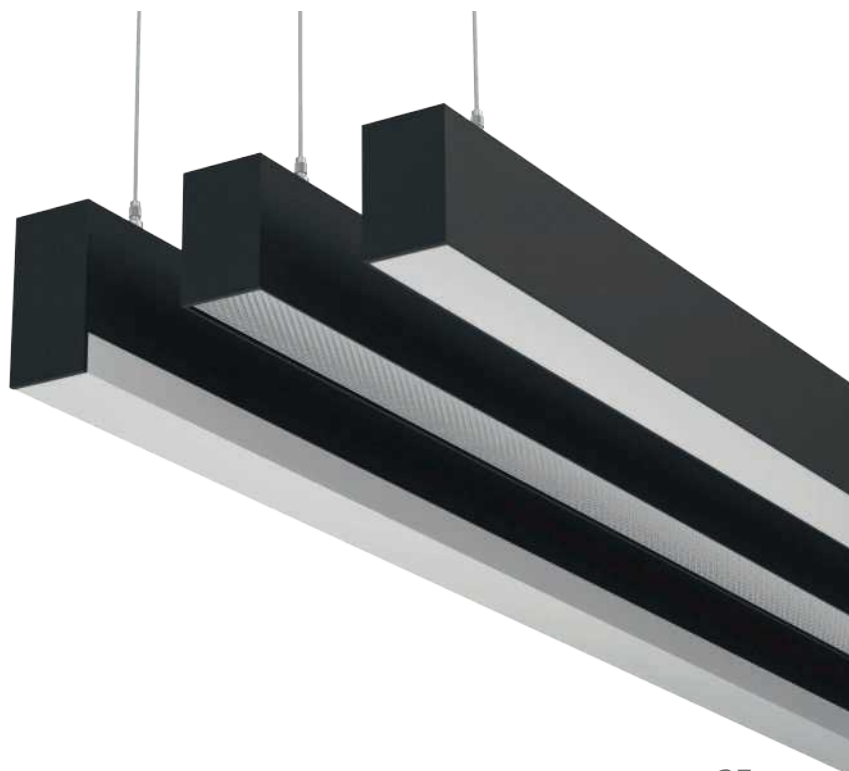
DIFFERENT COLOURS

The housing is available in RAL 9005 black, RAL 9006 silver and RAL 9016 white – RAL of your choice on demand.



3 DIFFERENT DIRECT COVERS

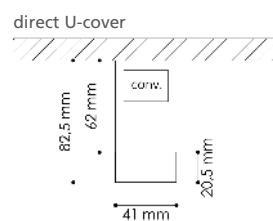
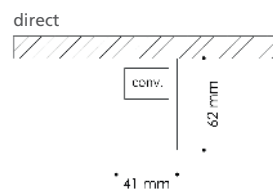
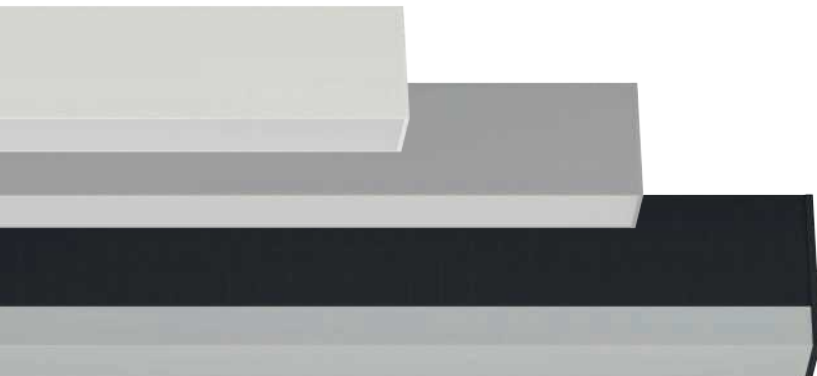
- Opal flat
- Microprism flat
- Opal U-shaped



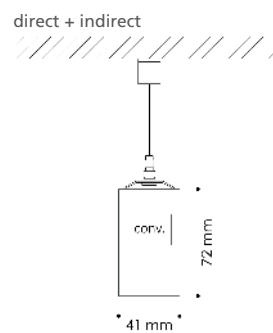
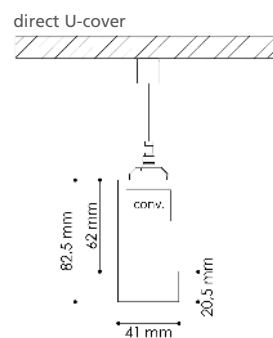
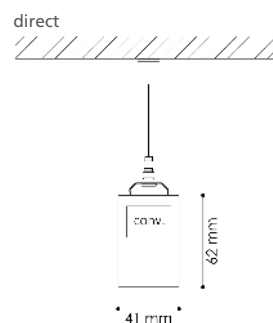
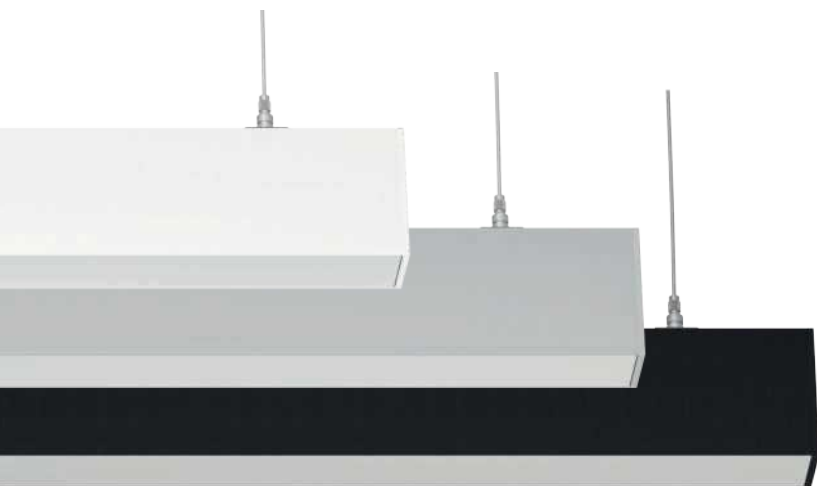
LINE40

ÜBERSICHT | OVERVIEW | VUE D'ENSEMBLE

ANBAULEUCHE | SURFACE MOUNTED LUMINAIRE | LUMINAIRE EN SAILLIE



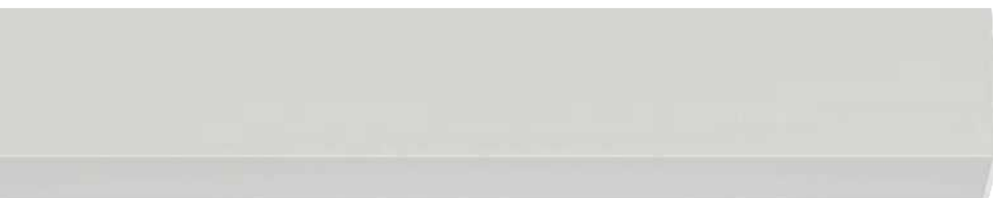
HÄNGELEUCHE | PENDANT LUMINAIRE | SUSPENSION



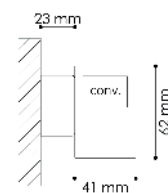
LINE40

ÜBERSICHT | OVERVIEW | VUE D'ENSEMBLE

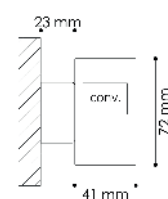
WANDLEUCHE | WALL LUMINAIRE | APPLIQUE MURALE



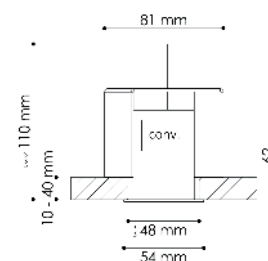
direct



direct + indirect



EINBAULEUCHE | RECESSED LUMINAIRE | LUMINAIRE ENCASTRABLE





LINE50

HIGH EFFICIENCY

The high luminous output at low power provides an energy efficient luminaire – up to 141 lm/W.

4 MOUNTING VERSIONS

The luminaire is available as surface, pendant, recessed or wall luminaire.

DYNAMIC WHITE

Besides the unicoloured colour temperatures, dynamic white (2700K–6500K) is also available.

MAKE YOUR WISH COME TRUE

An including sensor, emergency light or many other options are available on demand.

INDIVIDUAL SHAPES

Due to a modular system, we can make a special form for your desire.

LIGHT WHERE YOU WANT IT

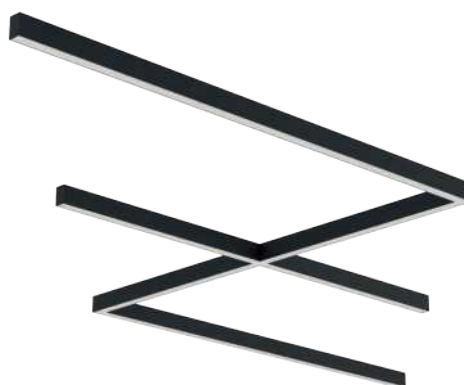
The luminaire is available either with direct light only or also with additional indirect light.

NOT ONLY SYMMETRICAL

An asymmetrical light distribution is possible thanks to a special foil.

DIFFERENT COLOURS

The housing is available in RAL 9005 black, RAL 9006 silver and RAL 9016 white – RAL of your choice on demand.



LINE50hex

LINE50 as hexagon or square shape with welded corners in 3 sizes each are already included in the standard portfolio.

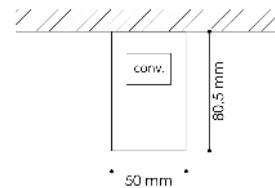
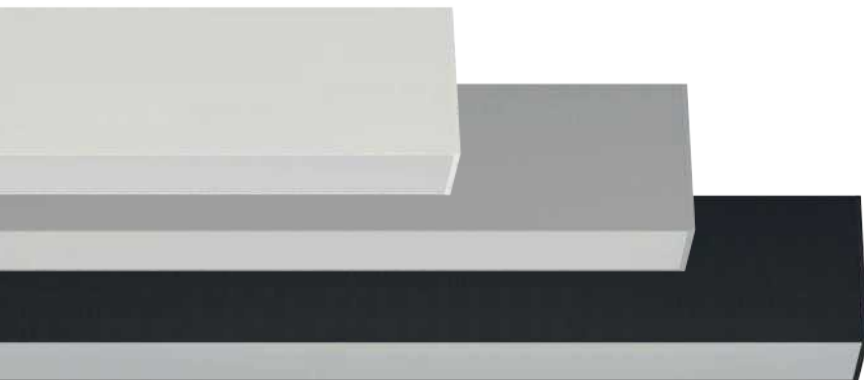
LINE50quad



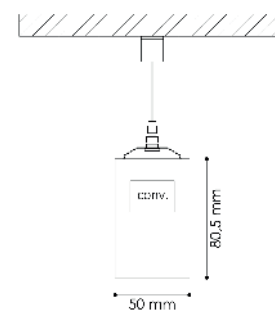
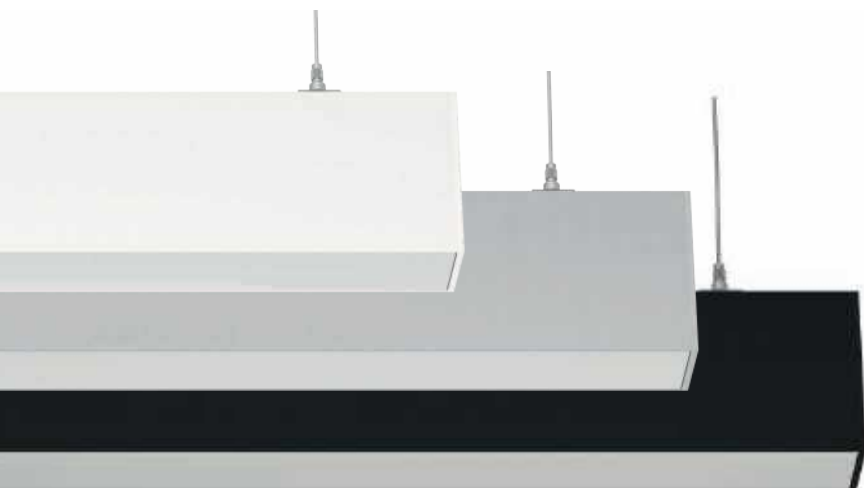
LINE50

ÜBERSICHT | OVERVIEW | VUE D'ENSEMBLE

ANBAULEUCHE | SURFACE MOUNTED LUMINAIRE | LUMINAIRE EN SAILLIE



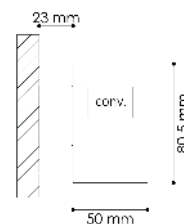
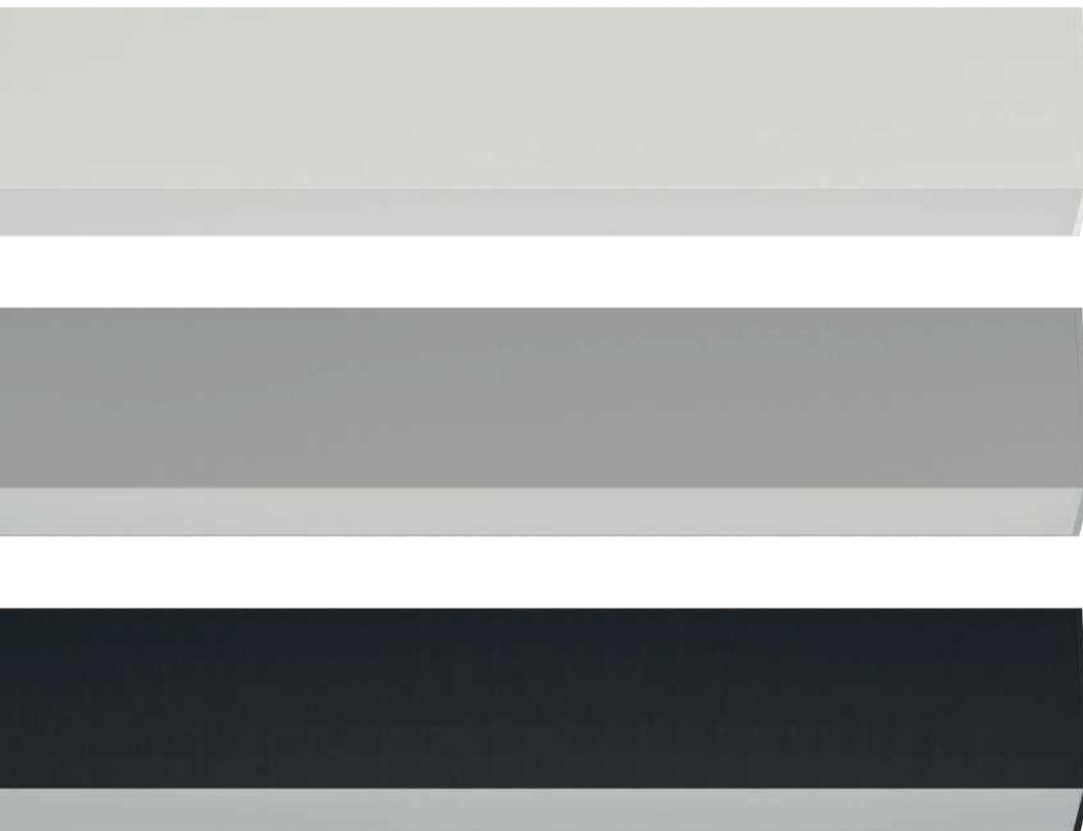
HÄNGELEUCHE | PENDANT LUMINAIRE | SUSPENSION



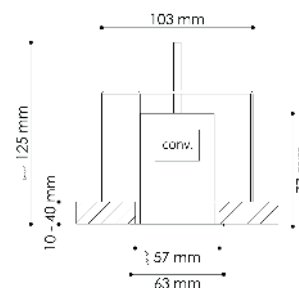
LINE50

ÜBERSICHT | OVERVIEW | VUE D'ENSEMBLE

WANDLEUCHE | WALL LUMINAIRE | APPLIQUE MURALE



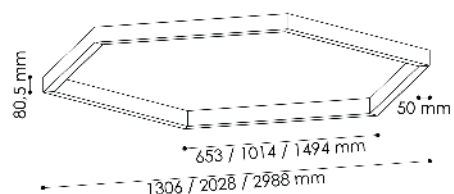
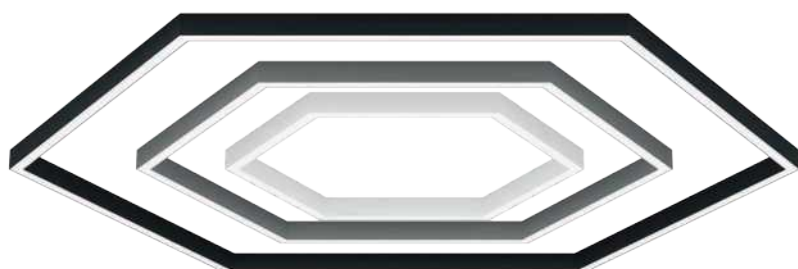
EINBAULEUCHE | RECESSED LUMINAIRE | LUMINAIRE ENCASTRABLE



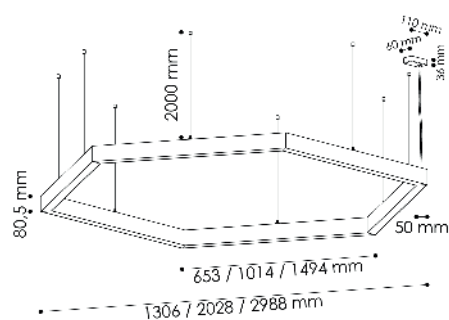
LINE50hex

ÜBERSICHT | OVERVIEW | VUE D'ENSEMBLE

ANBAULEUCHTE | SURFACE MOUNTED LUMINAIRE | LUMINAIRE EN SAILLIE



HÄNGELEUCHE | PENDANT LUMINAIRE | SUSPENSION

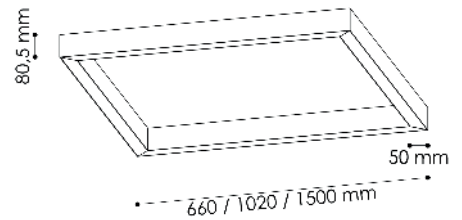




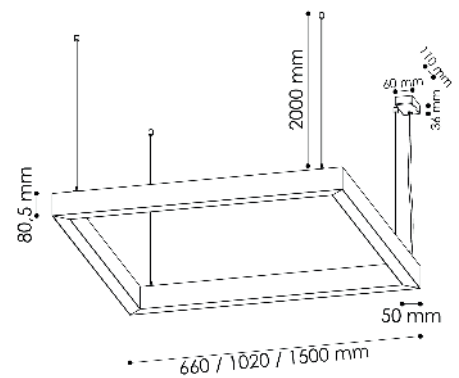
LINE50quad

ÜBERSICHT | OVERVIEW | VUE D'ENSEMBLE

ANBAULEUCHE | SURFACE MOUNTED LUMINAIRE | LUMINAIRE EN SAILLIE



HÄNGELEUCHE | PENDANT LUMINAIRE | SUSPENSION







officeLINE50

HIGH EFFICIENCY

The high luminous output at low power provides an energy efficient luminaire – up to 146 lm/W.

3 MOUNTING VERSIONS

The luminaire is available as surface, pendant or recessed luminaire.

SENSOR

The 3 most common lengths of the pendant luminaire are also available with a sensor as standard.

PERFECT FOR YOUR WORK DESK

Special reflectors provide a glare-free light distribution (UGR<19).

LIGHT WHERE YOU WANT IT

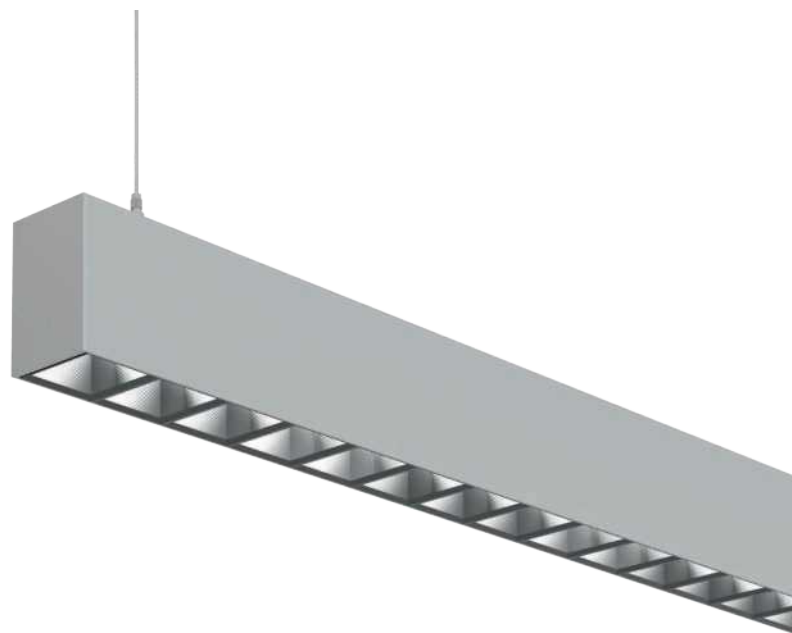
The luminaire is available either with direct light only or also with additional indirect light.

DYNAMIC WHITE

Besides the unicoloured colour temperatures, dynamic white (2700K–6500K) is also available.

MAKE YOUR WISH COME TRUE

An including sensor, emergency light or many other options are available on demand.



SOMETHING FOR EVERY TASTE

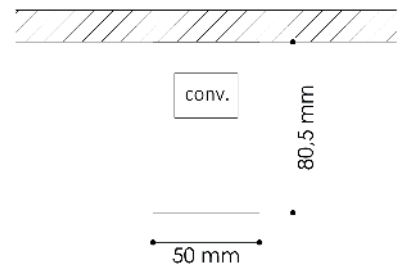
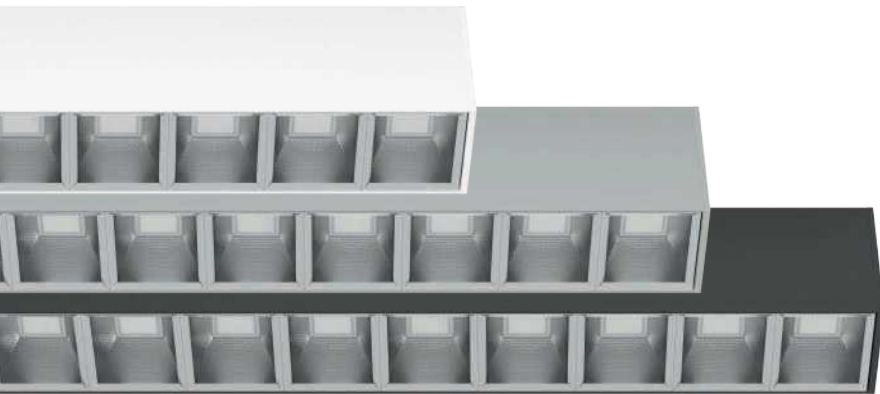
- 7 different reflector colours and finishes
- 3 different housing colours
- RAL of your choice for the housing on demand



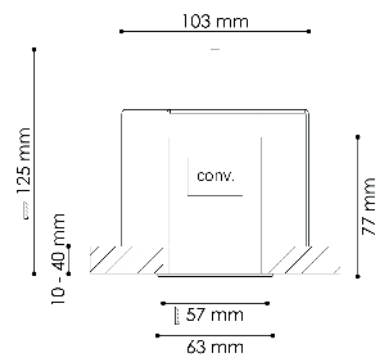
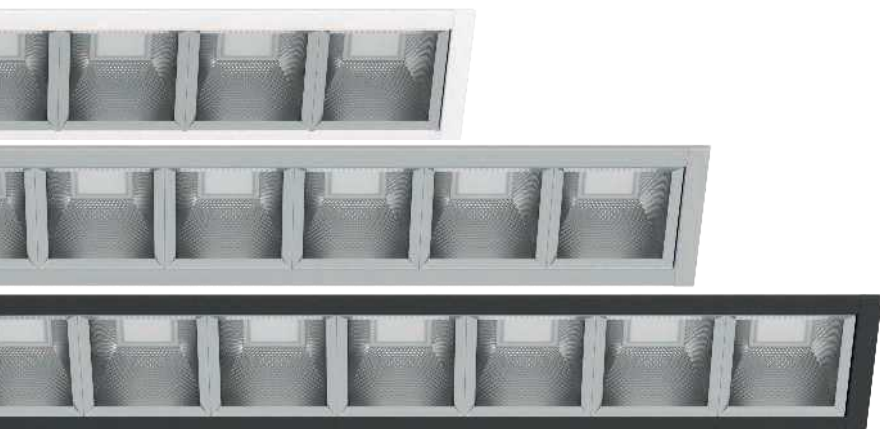
officeLINE50

ÜBERSICHT | OVERVIEW | VUE D'ENSEMBLE

ANBAULEUCHE | SURFACE MOUNTED LUMINAIRE | LUMINAIRE EN SAILLIE



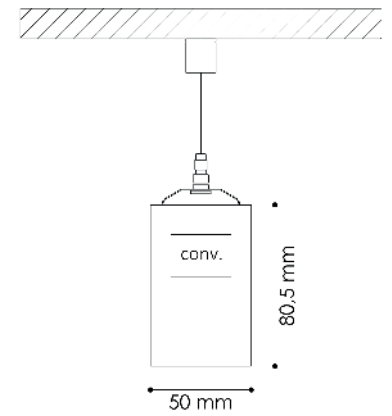
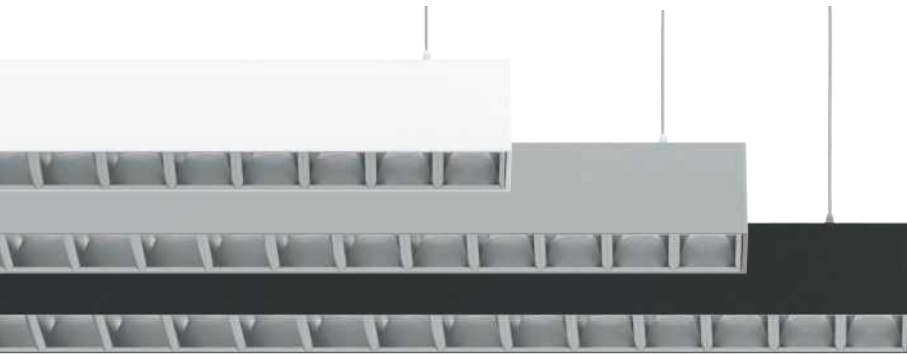
EINBAULEUCHE | RECESSED LUMINAIRE | LUMINAIRE ENCASTRABLE



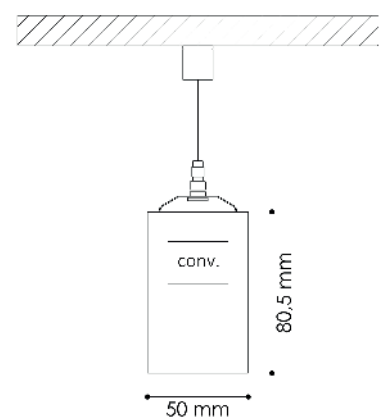
officeLINE50

ÜBERSICHT | OVERVIEW | VUE D'ENSEMBLE

HÄNGELEUCHE | PENDANT LUMINAIRE | SUSPENSION



HÄNGELEUCHE MIT SENSOR | PENDANT LUMINAIRE WITH SENSOR | LUMINAIRE SUSPENDOU AVEC CAPTEUR





LINE 70

HIGH EFFICIENCY

The high luminous output at low power provides an energy efficient luminaire – up to 160 lm/W.

4 MOUNTING VERSIONS

The luminaire is available as surface, pendant, recessed or wall luminaire.

DIFFERENT COLOURS

The housing is available in RAL 9005 black, RAL 9006 silver and RAL 9016 white – RAL of your choice on demand.

INDIVIDUAL SHAPES

Due to a modular system, we can make a special form for your desire.

LIGHT WHERE YOU WANT IT

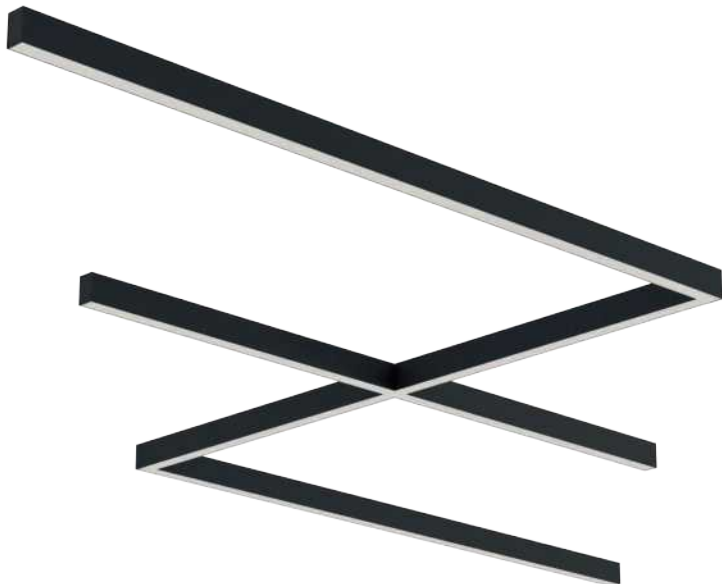
The luminaire is available either with direct light only or also with additional indirect light.

DYNAMIC WHITE

Besides the unicoloured colour temperatures, dynamic white (2700K–6500K) is also available.

MAKE YOUR WISH COME TRUE

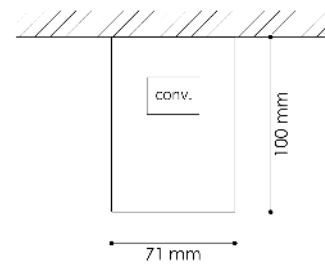
An including sensor, emergency light or many other options are available on demand.



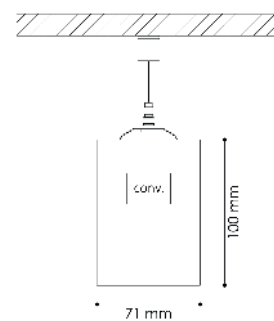
LINE 70

ÜBERSICHT | OVERVIEW | VUE D'ENSEMBLE

ANBAULEUCHE | SURFACE MOUNTED LUMINAIRE | LUMINAIRE EN SAILLIE



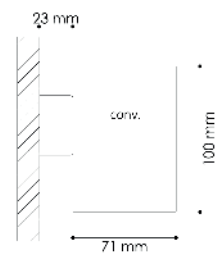
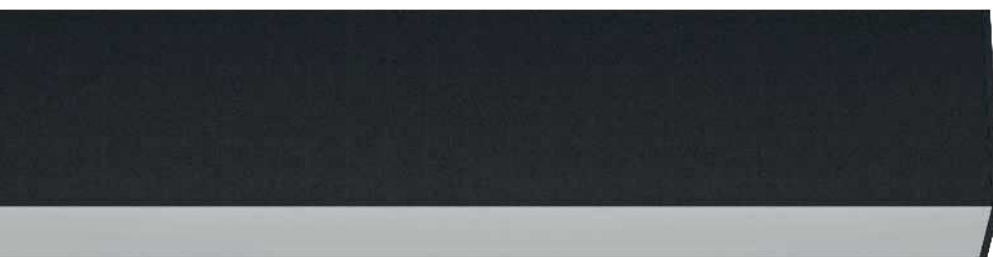
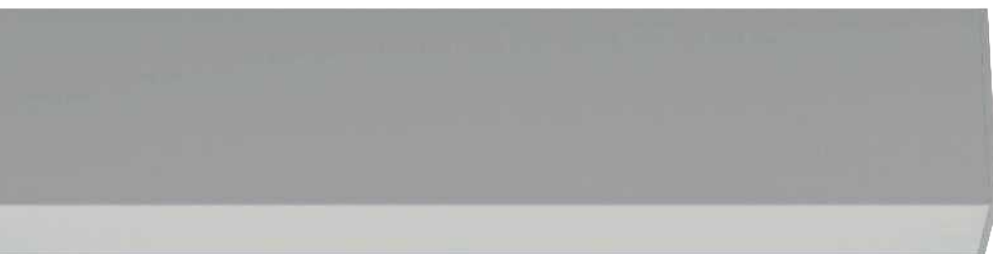
HÄNGELEUCHE | PENDANT LUMINAIRE | SUSPENSION



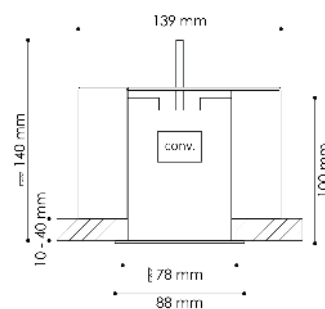
LINE70

ÜBERSICHT | OVERVIEW | VUE D'ENSEMBLE

WANDLEUCHE | WALL LUMINAIRE | APPLIQUE MURALE



EINBAULEUCHE | RECESSED LUMINAIRE | LUMINAIRE ENCASTRABLE





RING50

HIGH EFFICIENCY

The high luminous output at low power provides an energy efficient luminaire – up to 132 lm/W.

3 MOUNTING VERSIONS

The luminaire is available as surface, pendant or recessed luminaire.

DIFFERENT COLOURS

The housing is available in RAL 9005 black, RAL 9006 silver and RAL 9016 white – RAL of your choice on demand.

LARGE SELECTION OF SIZES

The luminaire is available in 9 different diameters.

LIGHT WHERE YOU WANT IT

The luminaire is available either with direct light only or also with additional indirect light.

DYNAMIC WHITE

Besides the unicoloured colour temperatures, dynamic white (2700K–6500K) is also available.

MAKE YOUR WISH COME TRUE

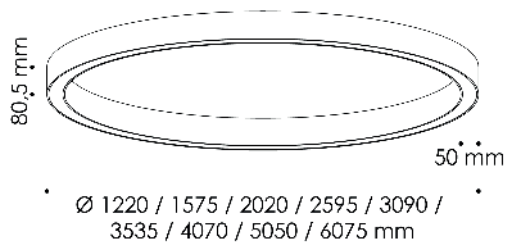
An including emergency light or many other options are available on demand.



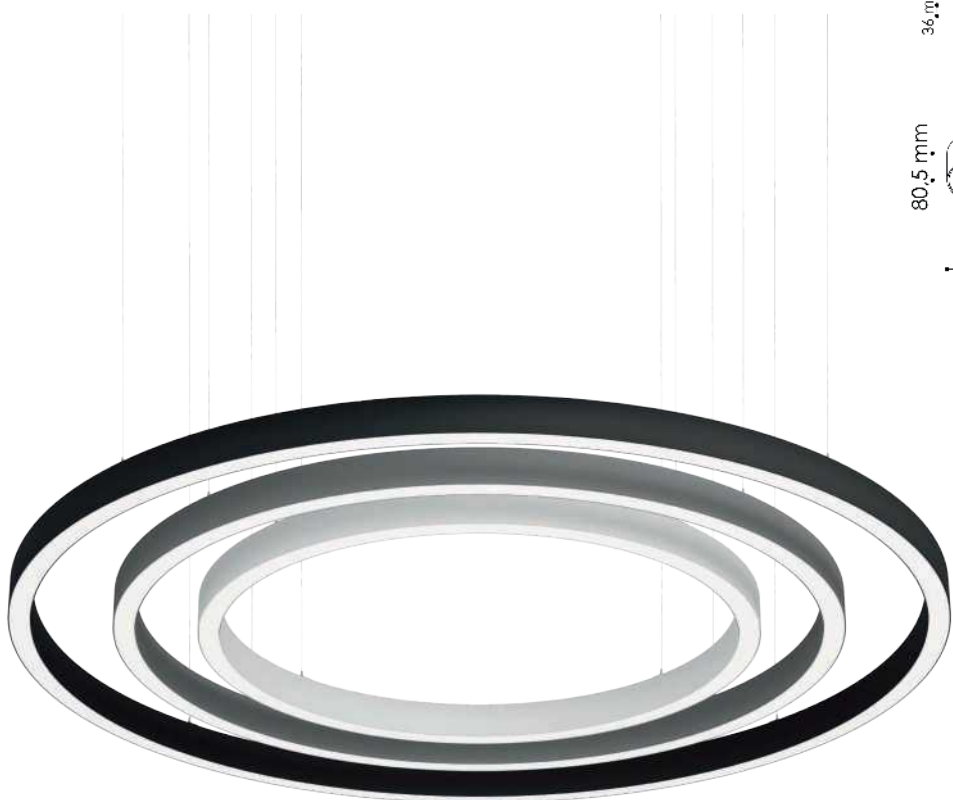
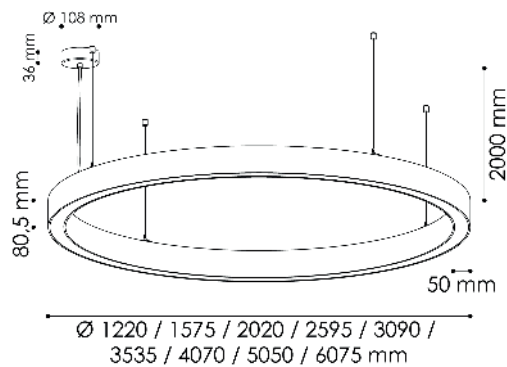
RING50

ÜBERSICHT | OVERVIEW | VUE D'ENSEMBLE

ANBAULEUCHE | SURFACE MOUNTED LUMINAIRE | LUMINAIRE EN SAILLIE



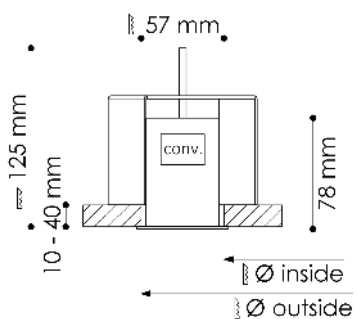
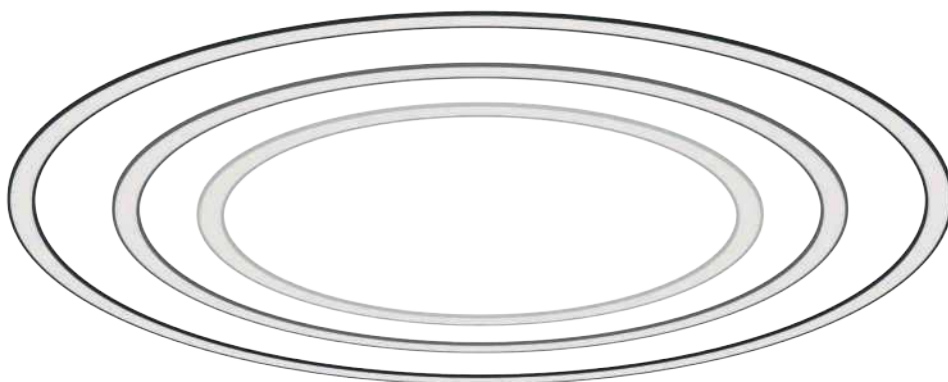
HÄNGELEUCHE | PENDANT LUMINAIRE | SUSPENSION



RING50

ÜBERSICHT | OVERVIEW | VUE D'ENSEMBLE

EINBAULEUCHE | RECESSED LUMINAIRE | LUMINAIRE ENCASTRABLE





FLEX50

HIGH EFFICIENCY

The high luminous output at low power provides an energy efficient luminaire – up to 132 lm/W.

3 MOUNTING VERSIONS

The luminaire is available as surface, pendant or recessed luminaire.

DIFFERENT COLOURS

The housing is available in RAL 9005 black, RAL 9006 silver and RAL 9016 white – RAL of your choice on demand.

LARGE SELECTION OF SIZES

With 13 different segments – curved and straight – you can create nearly any shape.

LIGHT WHERE YOU WANT IT

The luminaire is available either with direct light only or also with additional indirect light.

DYNAMIC WHITE

Besides the unicoloured colour temperatures, dynamic white (2700K–6500K) is also available.

MAKE YOUR WISH COME TRUE

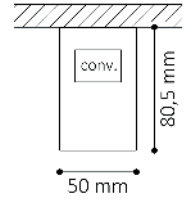
An including emergency light or many other options are available on demand.



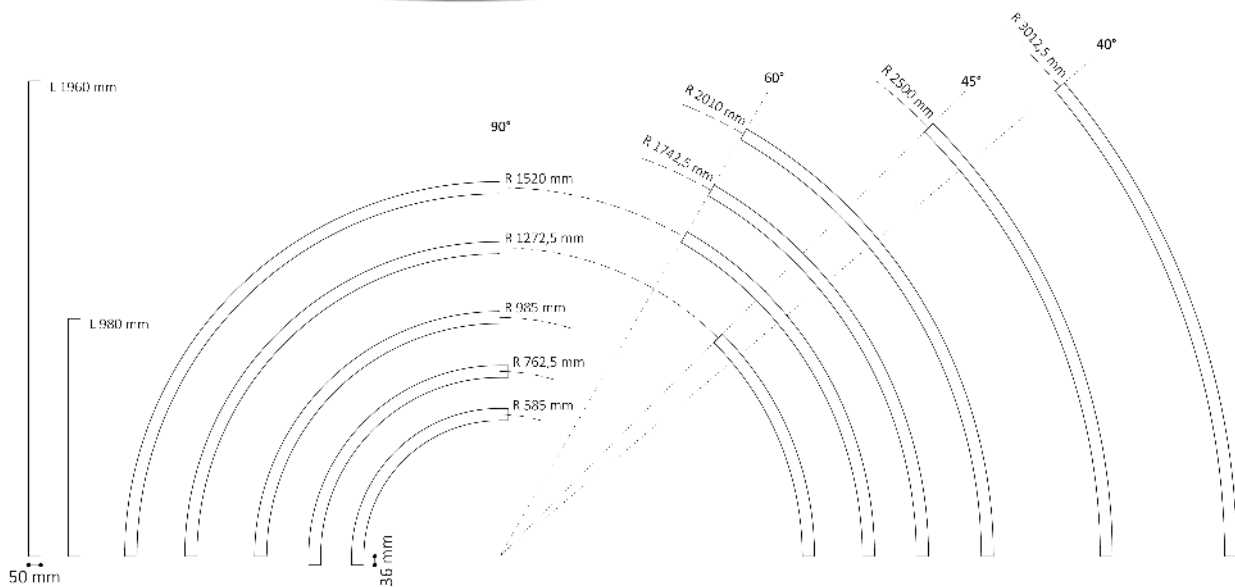
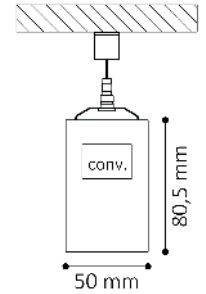
FLEX50

ÜBERSICHT | OVERVIEW | VUE D'ENSEMBLE

ANBAULEUCHE | SURFACE MOUNTED LUMINAIRE | LUMINAIRE EN SAILLIE



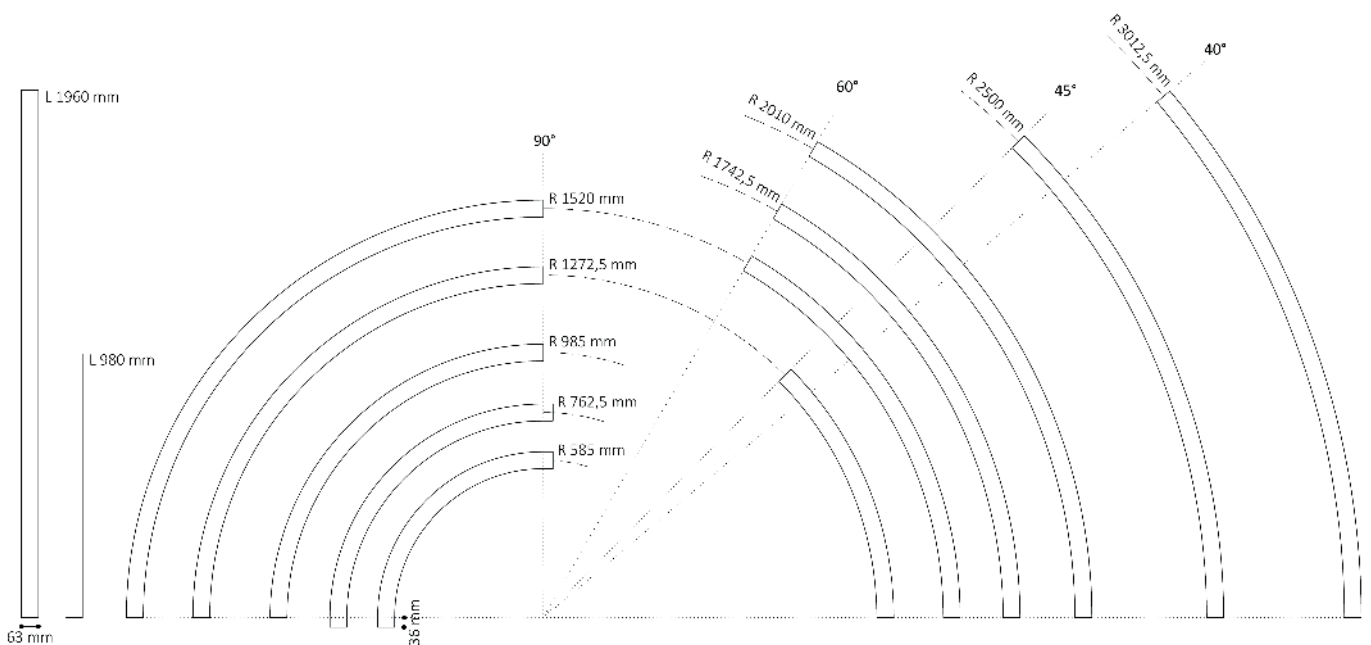
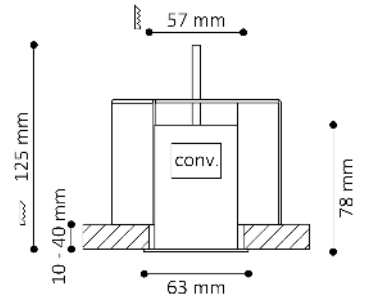
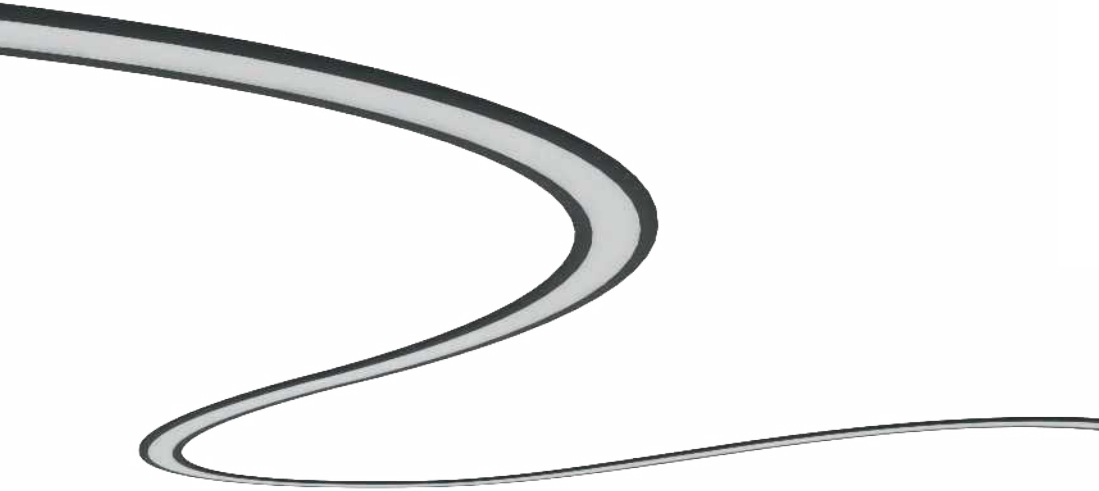
HÄNGELEUCHE | PENDANT LUMINAIRE | SUSPENSION



FLEX50

ÜBERSICHT | OVERVIEW | VUE D'ENSEMBLE

EINBAULEUCHE | RECESSED LUMINAIRE | LUMINAIRE ENCASTRABLE





ROUND90

HIGH EFFICIENCY

The high luminous output at low power provides an energy efficient luminaire - up to 174 lm/W.

LIGHT WHERE YOU WANT IT

The luminaire is available either with direct light only or also with additional indirect light.

SLIDE & LIGHT

Simply sliding the housing into the canopy allows an easy installation of the surface luminaire.

ROTATE & FIX

The recessed luminaire can be fixed easily into the mounting frame by inserting and rotating

NO INSECTS – NO PROBLEMS

With an IP50 rating, the luminaire housing is protected against insects and dust.

DYNAMIC WHITE

Besides the unicoloured colour temperatures, dynamic white (2700K–6500K) is also available.

MAKE YOUR WISH COME TRUE

Besides the unicoloured colour temperatures, dynamic white (2700K–6500K) is also available.

4 DIFFERENT SIZES 4 DIFFERENT SUSPENSION TYPES



KEEP IT SIMPLE BUT MAKE IT UNIQUE

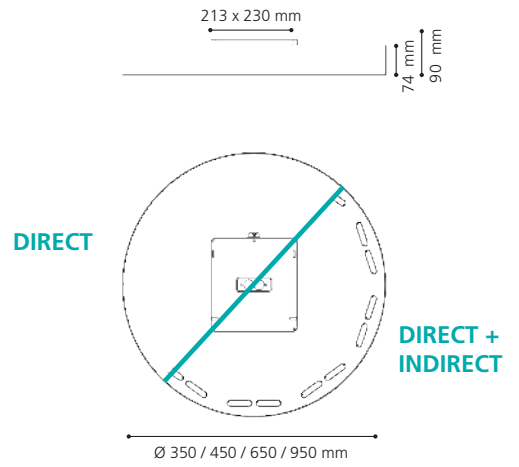
- 3 different housing colours
- 6 different decoration ring colours
- RAL colour of your choice on demand



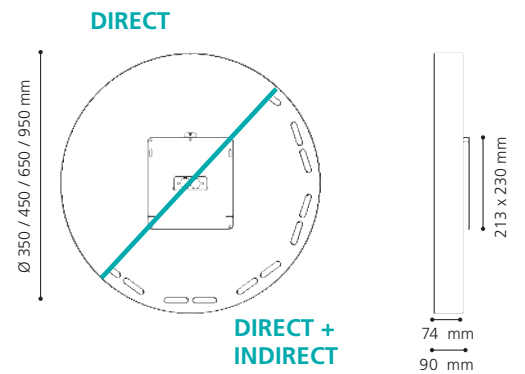
ROUND90

ÜBERSICHT | OVERVIEW | VUE D'ENSEMBLE

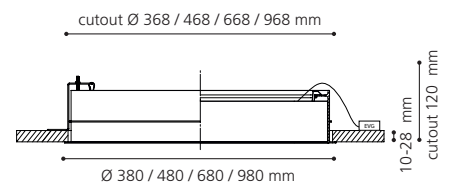
ANBAULEUCHE | SURFACE MOUNTED LUMINAIRE | LUMINAIRE EN SAILLIE



WANDLEUCHE | WALL LUMINAIRE | APPLIQUE MURALE



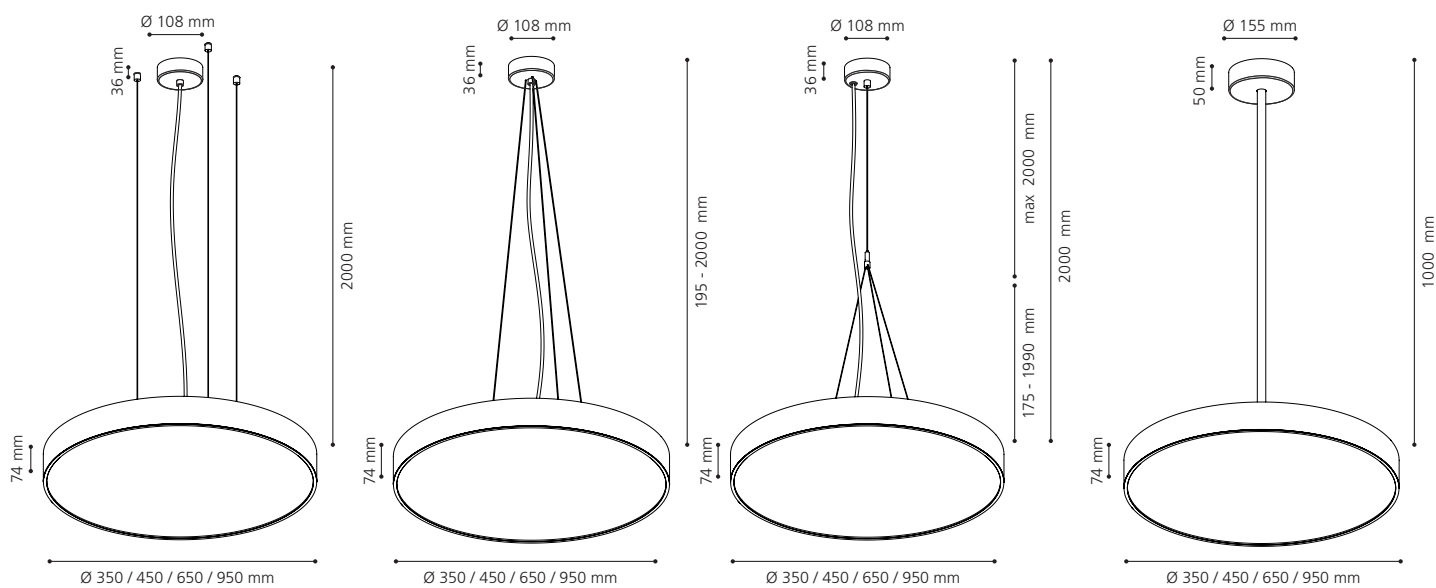
EINBAULEUCHE | RECESSED LUMINAIRE | LUMINAIRE ENCASTRABLE



ROUND90

ÜBERSICHT | OVERVIEW | VUE D'ENSEMBLE

HÄNGELEUCHE | PENDANT LUMINAIRE | SUSPENSION





SQUARE 90

HIGH EFFICIENCY

The high luminous output at low power provides an energy efficient luminaire - up to 175 lm/W.

LIGHT WHERE YOU WANT IT

The luminaire is available either with direct light only or also with additional indirect lighting.

SLIDE & LIGHT

Simply sliding the housing into the canopy allows an easy installation of the surface luminaire.

DYNAMIC WHITE

Besides the unicoloured colour temperatures, dynamic white (2700K–6500K) is also available.

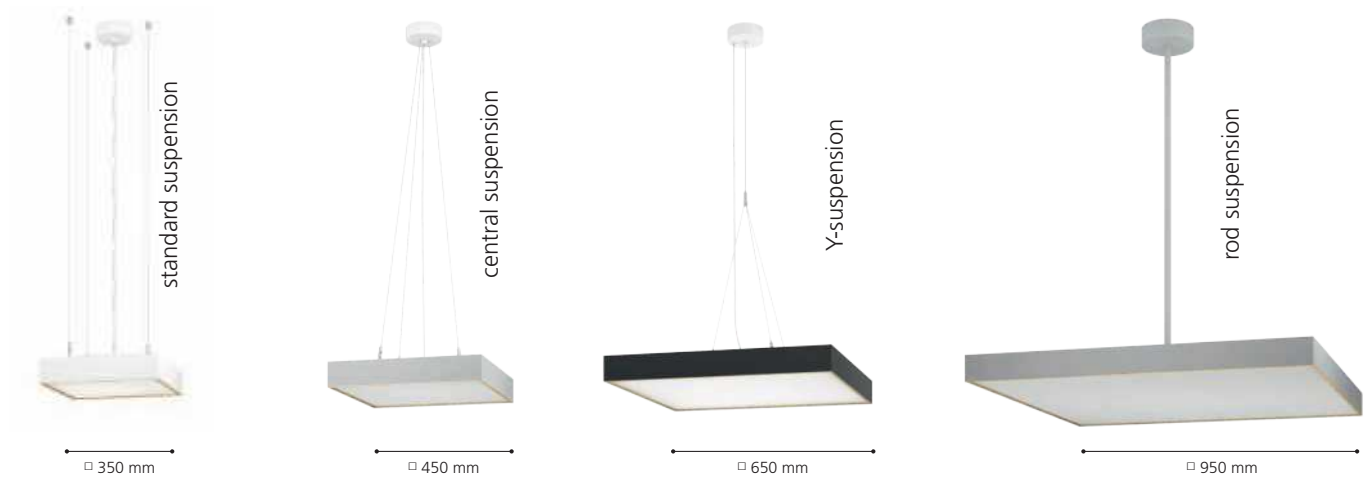
NO INSECTS – NO PROBLEMS

With an IP50 rating, the luminaire housing is protected against insects and dust.

MAKE YOUR WISH COME TRUE

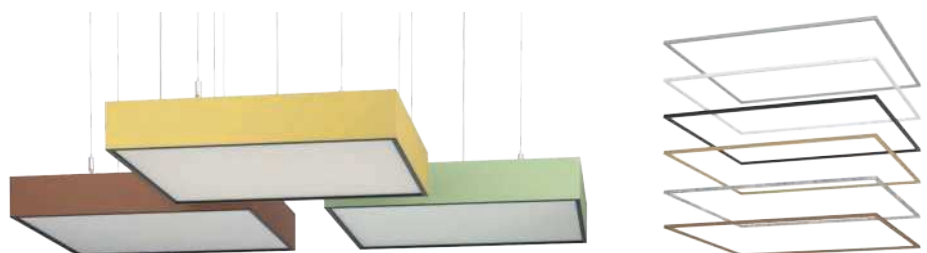
An including sensor, emergency light or many other options are available on demand.

4 DIFFERENT SIZES 4 DIFFERENT SUSPENSION TYPES



KEEP IT SIMPLE BUT MAKE IT UNIQUE

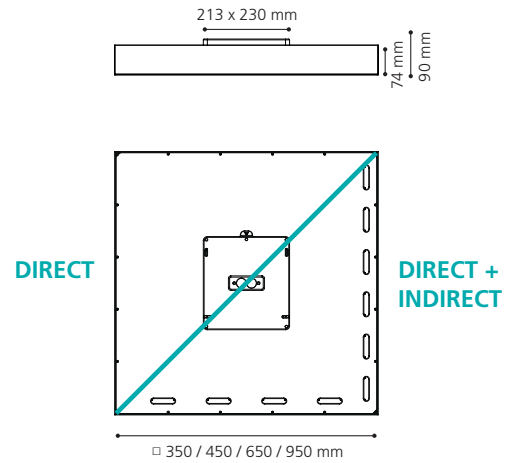
- 3 different housing colours
- 6 different decoration ring colours
- RAL colour of your choice on demand



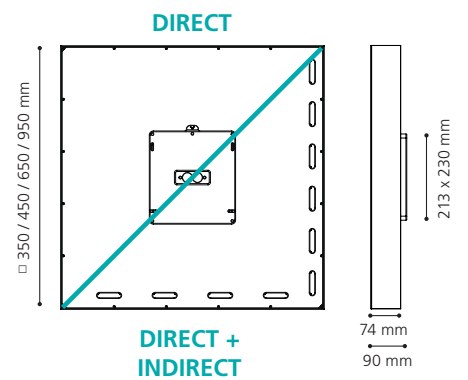
SQUARE90

ÜBERSICHT | OVERVIEW | VUE D'ENSEMBLE

ANBAULEUCHE | SURFACE MOUNTED LUMINAIRE | LUMINAIRE EN SAILLIE



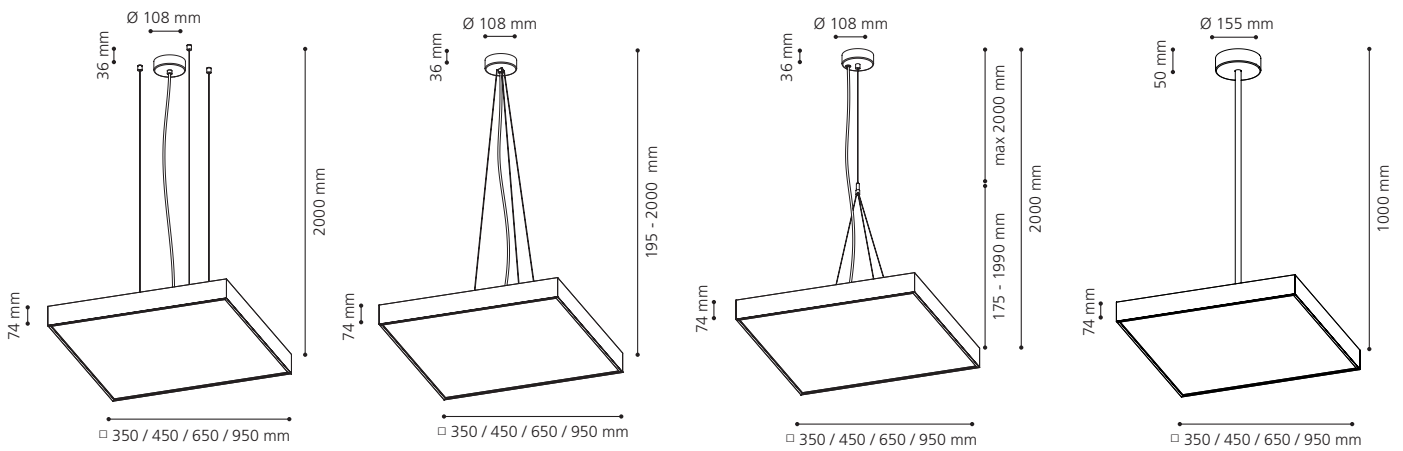
WANDLEUCHE | WALL LUMINAIRE | APPLIQUE MURALE



SQUARE90

ÜBERSICHT | OVERVIEW | VUE D'ENSEMBLE

HÄNGELEUCHE | PENDANT LUMINAIRE | SUSPENSION





design DOT SQOT

DOT OR SQOT?

The recessed spot is available either as a round or square shape.

DIFFERENT SIZES

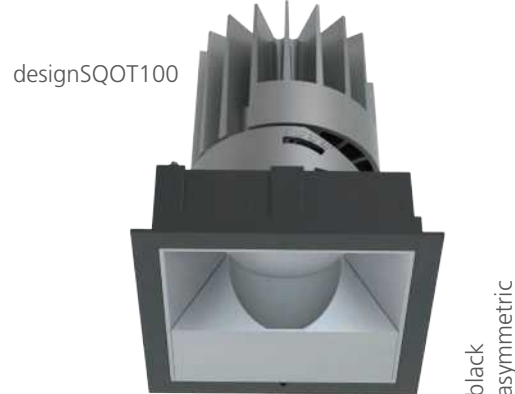
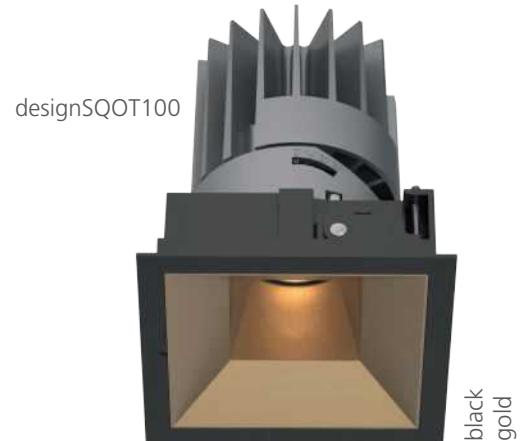
For each shape there are 2 different sizes – 68 or 100 mm.

COLOUR VARIANTS

2 housing colours and 4 different reflector colours and finishes are available.

NOT ONLY SYMMETRICAL

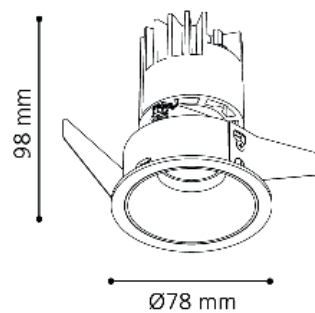
The 100 mm size is also available with an asymmetric beam angle – round and square.



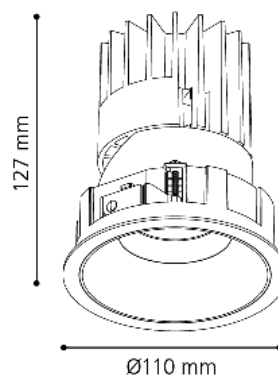
designDOT

ÜBERSICHT | OVERVIEW | VUE D'ENSEMBLE

designDOT68



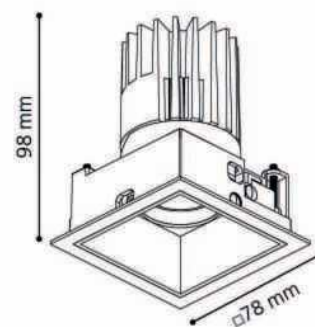
designDOT100



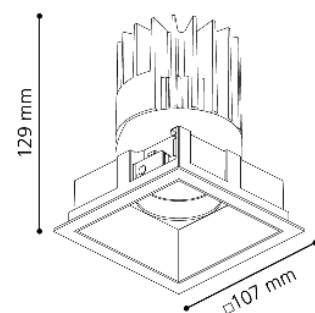
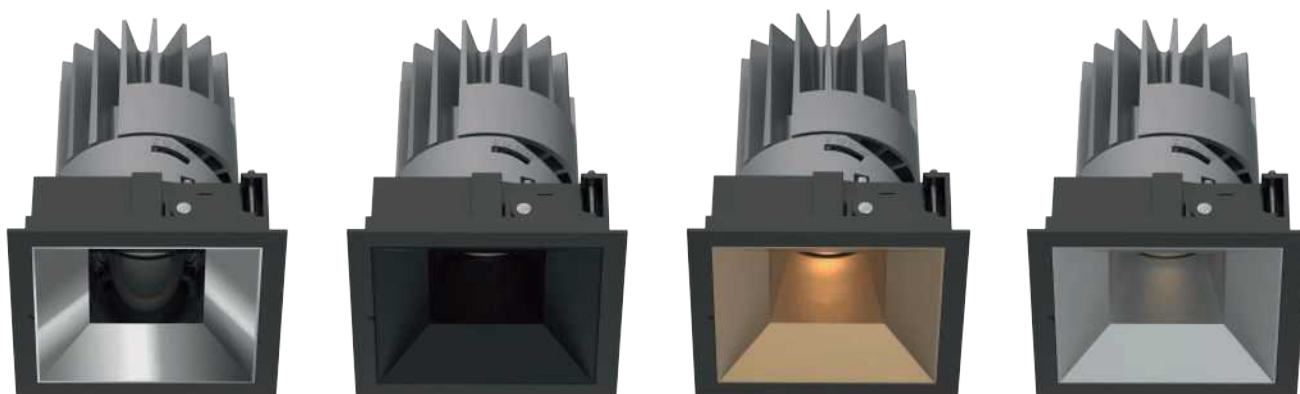
designSQOT

ÜBERSICHT | OVERVIEW | VUE D'ENSEMBLE

designSQOT68



designSQOT100





tech DOT SQOT

DOT OR SQOT?

The spot is available either as a round or square shape.

SURFACE VERSION

techDOT is also available as a surface spot with 151mm diameter.

COLOUR VARIANTS

2 housing colours and 2 different reflector colours are available.

DOT SIZES

The DOT recessed version is available in 3 different sizes – 75, 150 & 200 mm.

SQOT SIZES

The SQOT is available as recessed spot in 2 different sizes – 150 & 200 mm.

DYNAMIC WHITE 150 & 200 VERSION

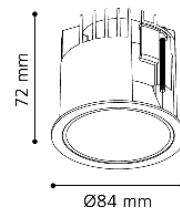
Besides the unicoloured colour temperatures, dynamic white (2700K–6500K) is also available.



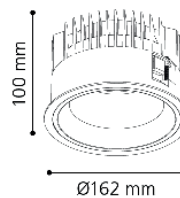
techDOT

ÜBERSICHT | OVERVIEW | VUE D'ENSEMBLE

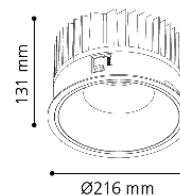
techDOT75



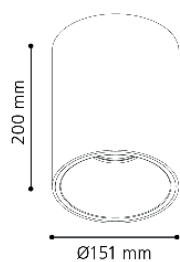
techDOT150



techDOT200



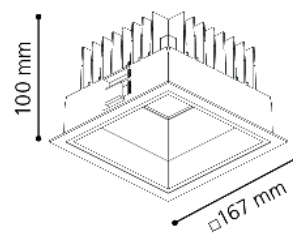
techDOT150surface



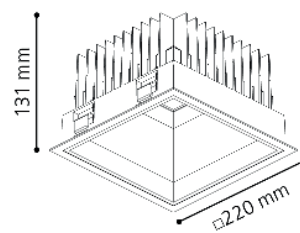
techSQOT

ÜBERSICHT | OVERVIEW | VUE D'ENSEMBLE

techSQOT150



techSQOT200





track **S** **M**

ALL INTEGRATED

The rotatable, swivelling 3-phase track spotlights have an inTrack adapter on/off or DALI.

NARROW OR WIDE

Different beam angles are available – 18°/36°/50° for trackS – 20°/55° for trackM.

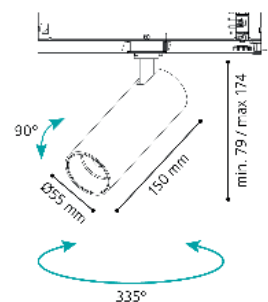
SMALL OR MEDIUM

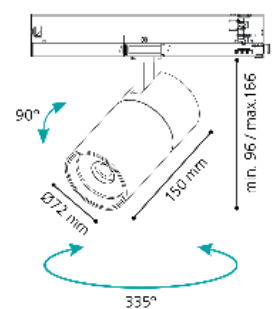
The 150 mm long spot head is either available with a diameter of 55 or 72 mm.

THE MATCHING LIGHT

trackM has special colour temperatures for different areas like fashion, bakery, meat, etc.

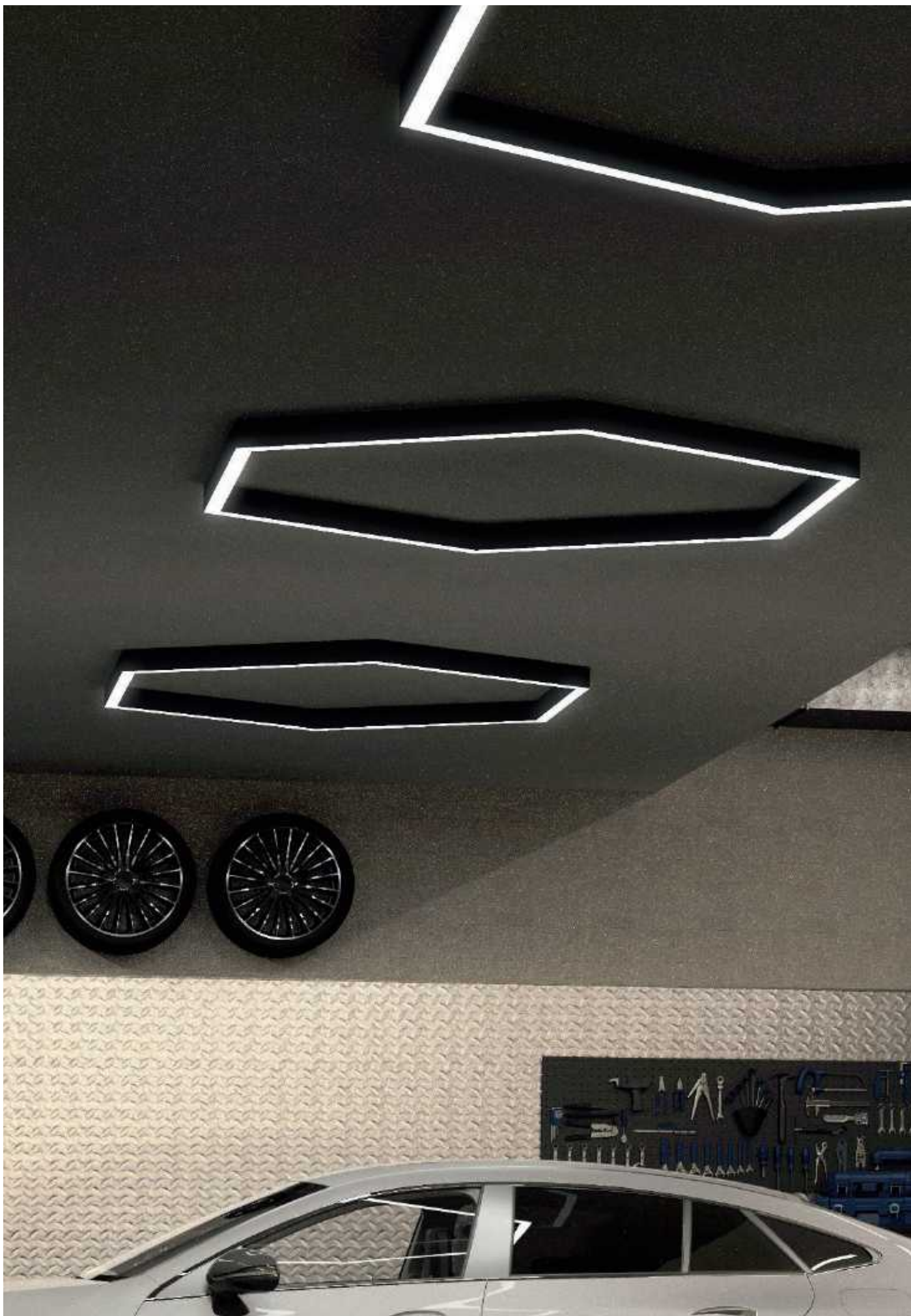






















OVERVIEW

ANBAULEUCHTEN | SURFACE MOUNTED LUMINAIRES | LUMINAIRES EN SAILLIE



LINE40
82



LINE50
84



LINE50hex
86



LINE50quad
88



officeLINE50
90



LINE70
92



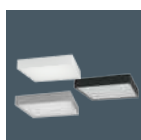
RING50
94



FLEX50
96



ROUND90
98



SQUARE90
100



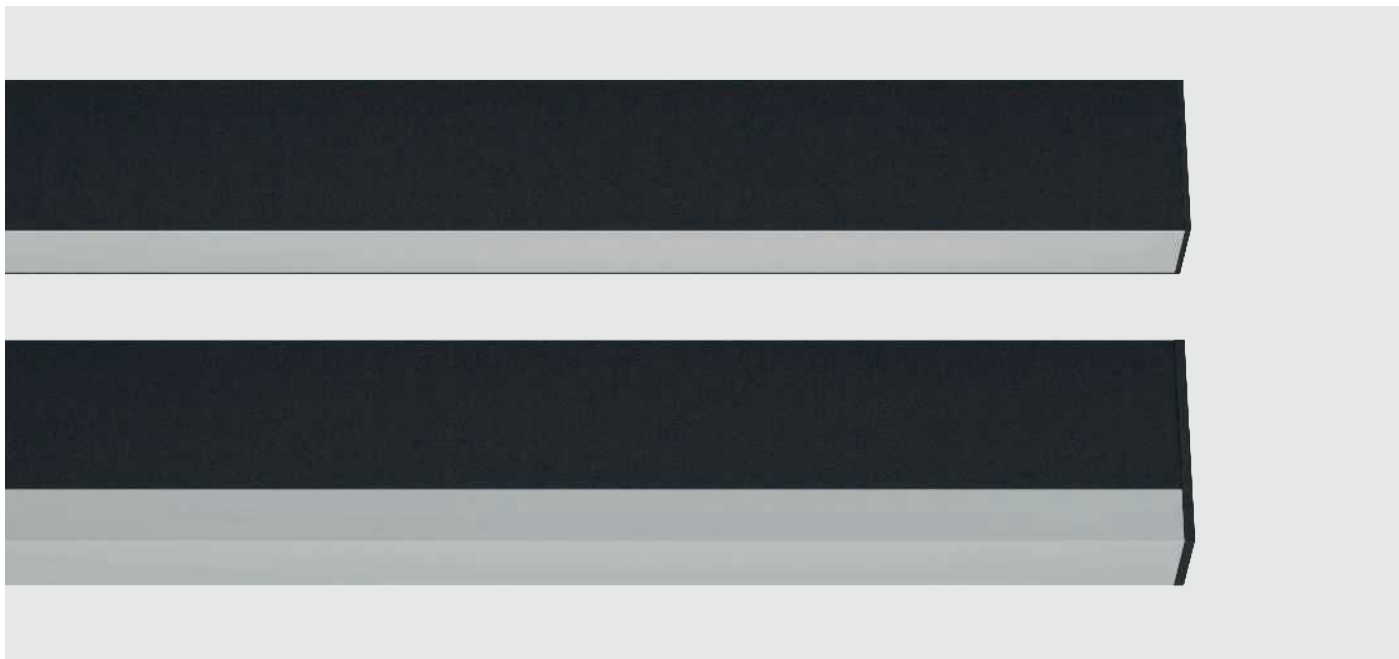
techDOT150surface
102

ANBAULEUCHTEN

SURFACE MOUNTED LUMINAIRES
LUMINAIRES EN SAILLIE

LINE40

ANBAULEUCHTE | SURFACE MOUNTED LUMINAIRE | LUMINAIRE EN SAILLIE



LED-Anbauleuchte direktstrahlend. Lichtkanal aus Aluminium-Strangpressprofil mit einer Breite von 41 mm. Fertigung der Leuchtenlänge millimetergenau auf Kundenwunsch möglich. Oberfläche der Leuchte feinstruktur matt pulverbeschichtet ähnlich RAL 9016 weiß, RAL 9006 silber oder RAL 9005 schwarz – auf Anfrage in RAL nach Wahl. Diffusor wahlweise in PMMA opal, PMMA opal U-Abdeckung oder PMMA klar mit eingeschobener mikroprismatischer Platte für eine reduzierte Leuchtdichte (UGR<19). Der LED-Treiber ist im Leuchtengehäuse integriert – wahlweise als on/off oder DALI-Variante. Farbtemperaturen 2700K, 3000K, 4000K – Farbwiedergabe CRI>80 oder CRI>90 – Mac Adam ≤3. Weitere Steuerungsoptionen oder Lichtfarben auf Anfrage erhältlich. Außerdem ist die Integration vieler Komponenten, wie beispielsweise Notlicht oder Sensortechnologie, sowie eine Vielzahl weiterer Optionen möglich.

Surface-mounted LED luminaire with direct beam. Light channel made of extruded aluminium profile with a width of 41 mm. Luminaire length can be manufactured to the exact millimetre on customer request. Surface of the luminaire fine structure matt powder coated similar to RAL 9016 white, RAL 9006 silver or RAL 9005 black - on request in RAL of choice. Diffuser either in PMMA opal, PMMA opal U-cover or PMMA clear with inserted microprismatic plate for reduced luminance (UGR<19). The LED driver is integrated in the luminaire housing - either as on/off or DALI version. Colour temperatures 2700K, 3000K, 4000K - colour rendering CRI>80 or CRI>90 - Mac Adam ≤3. Further control options or light colours available on request. In addition, the integration of many components, such as emergency lighting or sensor technology, as well as a variety of other options is possible.

Luminaire de surface LED en saillie à éclairage direct. Canal lumineux en profilé d'aluminium extrudé d'une largeur de 41 mm. Possibilité de fabriquer la longueur du luminaire au millimètre près sur demande du client. Surface du luminaire à structure fine matte revêtue de poudre similaire à RAL 9016 blanc, RAL 9006 argent ou RAL 9005 noir - sur demande en RAL au choix. Diffuseur au choix en PMMA opale, PMMA opale cache U ou PMMA transparent avec plaque microprismatique insérée pour un éblouissement réduit (UGR<19). Le pilote LED est intégré dans le boîtier du luminaire - au choix sous forme de variante on/off ou DALI. Températures de couleur 2700K, 3000K, 4000K - Rendu des couleurs CRI>80 ou CRI>90 - Mac Adam ≤3. Autres options de commande ou couleurs de lumière disponibles sur demande. En outre, l'intégration de nombreux composants, tels que l'éclairage de secours ou des capteurs, une multitude d'autres options sont possibles.

ÜBERSICHT | OVERVIEW | VUE D'ENSEMBLE

TECHNICAL DATA

2700K / 3000K / 4000K

CRI>80 / CRI>90

MacAdam ≤ 3

up to 116 lm/W, up to 2.731 lm/m

on-off / DALI

direct

opal / opal-U / microprism (UGR <19)

LIFETIME

L80B10 50.000h

OPTIONS

emergency lighting

motion and day-light sensor

many more on demand

HOUSING COLOUR

schwarz | black | noir
RAL 9005



silber | silver | argent
RAL 9006



weiß | white | blanc
RAL 9016



RAL-Farbe nach Wahl auf Anfrage
RAL colour of your choice on demand
Couleur RAL de votre choix sur demande



ANBAULEUCHTE „LINE40“

SURFACE MOUNTED LUMINAIRE "LINE40"

LUMINAIRE EN SAILLIE « LINE40 »

Bestellbeispiel | Example order | Exemple de commande

3.372 mm, CRI>90, 4000K, **direct**, low output on/off, black, microprism

LI40A - 339401 - LOBLM

1 2 3 4 5 6

1 LÄNGE LENGTH LONGEUR	
571 mm	05
851 mm	08
1.131 mm	11
1.271 mm	12
1.411 mm	14
1.691 mm	16
2.251 mm	22
2.531 mm	25
2.812 mm	28
3.372 mm	33
3.792 mm	37

2 FARBWIEDERGABE COLOUR RENDERING RENDU DES COULEURS	
CRI>80	8
CRI>90	9

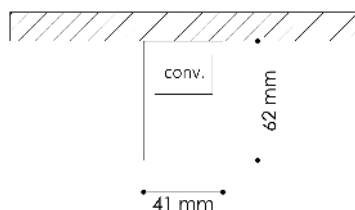
3 FARBTEMPERATUR COLOUR TEMPERATURE TEMPÉRATURE DE COULEUR	
2700K (CRI>90 only)	27
3000K	30
4000K	40

4 LEISTUNG & STEUERUNG OUTPUT & CONTROL SORTIE & CONTRÔLE	
low output on/off	LO
low output DALI	LD
high output on/off	HO
high output DALI	HD

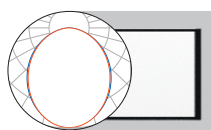
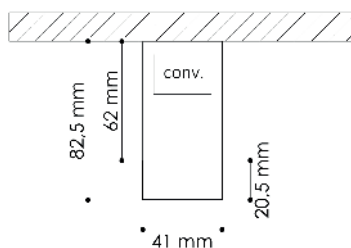
5 GEHÄUSEFARBE HOUSING COLOUR COULEUR DU BOÎTIER	
silver RAL9006	SI
white RAL9016	WH
black RAL9005	BL

6 DIFFUSOR DIFFUSER DIFFUSEUR	
opal	O
microprism	M
U-cover	U

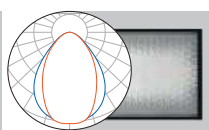
direct



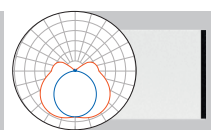
direct U-cover



opal direct



microprism direct



U-cover direct

Size [mm]	low output [lm] / [W]		high output [lm] / [W]		low output [lm] / [W]		high output [lm] / [W]		kg
	low output [lm] / [W]	high output [lm] / [W]	low output [lm] / [W]	high output [lm] / [W]	low output [lm] / [W]	high output [lm] / [W]			
571	852 / 8	1.439 / 17	757 / 8	1.503 / 17	785 / 8	1.492 / 17		1,5	
851	1.136 / 12	2.158 / 23	1.135 / 12	2.254 / 23	1.177 / 12	2.238 / 23		2,0	
1.131	1.514 / 15	2.879 / 29	1.514 / 15	3.005 / 29	1.570 / 15	2.984 / 29		2,6	
1.271	1.704 / 17	3.238 / 33	1.703 / 17	3.381 / 33	1.767 / 17	3.357 / 33		2,8	
1.411	1.893 / 18	3.599 / 35	1.892 / 18	3.757 / 35	1.962 / 18	3.730 / 35		3,5	
1.691	2.272 / 20	4.318 / 40	2.271 / 20	4.508 / 40	2.355 / 20	4.476 / 40		4,0	
2.251	3.028 / 27	5.756 / 53	3.028 / 27	6.010 / 53	3.140 / 27	5.968 / 53		5,0	
2.531	3.408 / 30	6.475 / 60	3.406 / 30	6.762 / 60	3.534 / 30	6.714 / 60		5,2	
2.812	3.786 / 35	7.198 / 70	3.784 / 35	7.514 / 70	3.924 / 35	7.460 / 70		6,0	
3.372	4.544 / 41	8.636 / 81	4.542 / 41	9.016 / 81	4.710 / 41	8.952 / 81		7,6	
3.792	5.112 / 46	9.715 / 91	5.110 / 46	10.143 / 91	5.299 / 46	10.071 / 91		9,1	

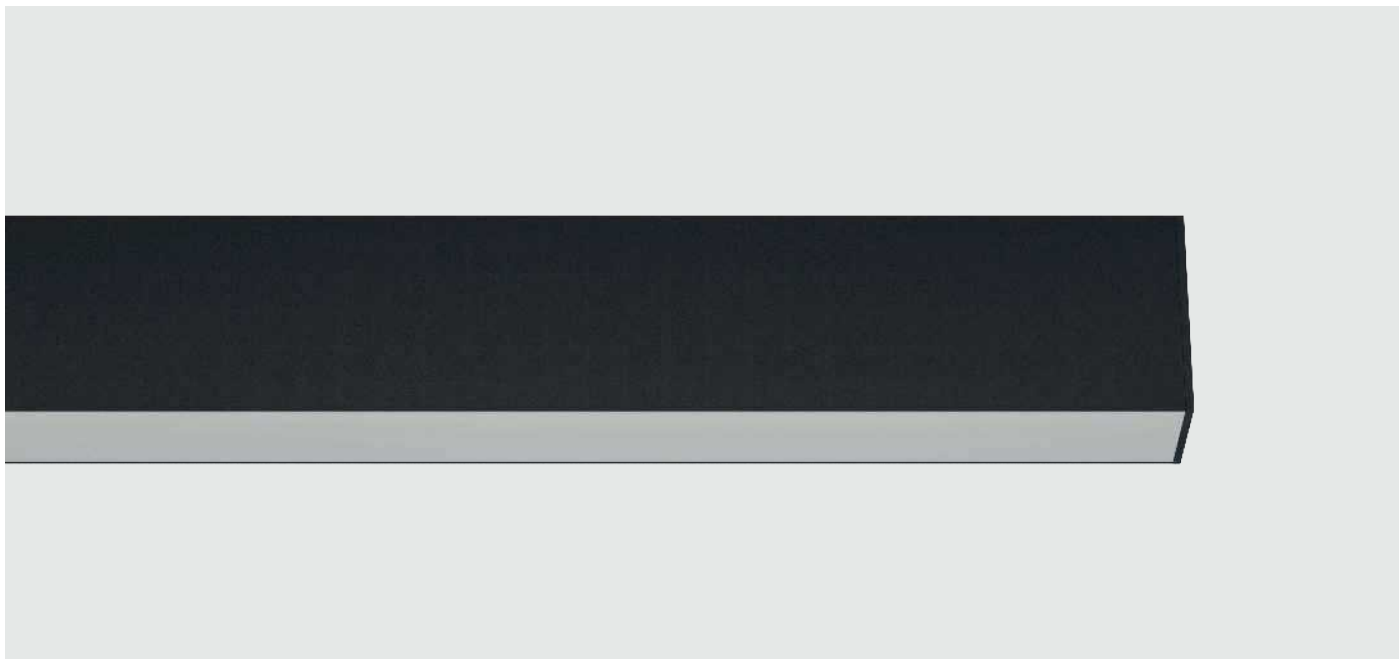
Alle Lumenangaben für 4000K, CRI>80, Microprisma ohne Opalfolie

All lumen values for 4000K, CRI>80, microprism without opal foil

Toutes les données de lumens pour 4000K, CRI>80, microprisme sans feuille opale

LINE50

ANBAULEUCHTE | SURFACE MOUNTED LUMINAIRE | LUMINAIRE EN SAILLIE



LED-Anbauleuchte direktstrahlend. Lichtkanal aus Aluminium-Strangpressprofil mit einer Breite von 50 mm. Fertigung der Leuchtenlänge millimetergenau auf Kundenwunsch möglich. Oberfläche der Leuchte feinstruktur matt pulverbeschichtet ähnlich RAL 9016 weiß, RAL 9006 silber oder RAL 9005 schwarz – auf Anfrage in RAL nach Wahl. Diffusor wahlweise in PMMA opal, PMMA klar mit eingeschobener asymmetrischer Folie oder PMMA klar mit eingeschobener mikroprismatischer Platte für eine reduzierte Leuchtdichte (UGR<19). Der LED-Treiber ist im Leuchtgehäuse integriert – wahlweise als on/off oder DALI-Variante. Farbtemperaturen 2700K, 3000K, 4000K oder dynamisch Weiß (2700K–6500K) – Farbwiedergabe CRI>80 oder CRI>90 – Mac Adam ≤3. Weitere Steuerungsoptionen oder Lichtfarben auf Anfrage erhältlich. Außerdem ist die Integration vieler Komponenten, wie beispielsweise Notlicht oder Sensortechnologie, sowie eine Vielzahl weiterer Optionen möglich.

Surface-mounted LED luminaire with direct beam. Light channel made of extruded aluminium profile with a width of 50 mm. Luminaire length can be manufactured to the exact millimetre on customer request. Surface of the luminaire fine structure matt powder coated similar to RAL 9016 white, RAL 9006 silver or RAL 9005 black - on request in RAL of choice. Diffuser either in PMMA opal, PMMA clear with inserted asymmetrical foil or PMMA clear with inserted microprismatic plate for reduced luminance (UGR<19). The LED driver is integrated in the luminaire housing - either as on/off or DALI version. Colour temperatures 2700K, 3000K, 4000K or dynamic white (2700K-6500K) - colour rendering CRI>80 or CRI>90 - Mac Adam ≤3. Further control options or light colours available on request. In addition, the integration of many components, such as emergency lighting or sensor technology, as well as a variety of other options is possible.

Luminaire de surface LED en saillie à éclairage direct. Canal lumineux en profilé d'aluminium extrudé d'une largeur de 50 mm. Fabrication de la longueur du luminaire au millimètre près possible sur demande du client. Surface du luminaire à structure fine, revêtement par poudre mat similaire à RAL 9016 blanc, RAL 9006 argent ou RAL 9005 noir - sur demande en RAL au choix. Diffuseur au choix en PMMA opale, PMMA transparent avec feuille asymétrique insérée ou PMMA transparent avec plaque microprismatique insérée pour un éblouissement réduit (UGR<19). Le pilote LED est intégré dans le boîtier du luminaire - au choix sous forme de variante on/off ou DALI. Températures de couleur 2700K, 3000K, 4000K ou blanc dynamique (2700K-6500K) - Rendu des couleurs CRI>80 ou CRI>90 - Mac Adam ≤3. Autres options de commande ou couleurs de lumière disponibles sur demande. En outre, l'intégration de nombreux composants, tels que l'éclairage de secours ou la technologie de détection, une multitude d'autres options sont possibles.

ÜBERSICHT | OVERVIEW | VUE D'ENSEMBLE

TECHNICAL DATA

2700K / 3000K / 4000K / 2700-6500K

CRI>80 / CRI>90

MacAdam ≤ 3

up to 122 lm/W, up to 2.766 lm/m

on-off / DALI

direct

opal / microprism (UGR <19) / asymmetric

LIFETIME

L80B10 50.000h

OPTIONS

emergency lighting

motion and day-light sensor

many more on demand

HOUSING COLOUR

schwarz | black | noir
RAL 9005



silber | silver | argent
RAL 9006



weiß | white | blanc
RAL 9016



RAL-Farbe nach Wahl auf Anfrage
RAL colour of your choice on demand
Couleur RAL de votre choix sur demande



>80

>90

IP20

DALI

≤3

>50.000 h

ANBAULEUCHTE „LINE50“
 SURFACE MOUNTED LUMINAIRE “LINE50”
 LUMINAIRE EN SAILLIE « LINE50 »

Bestellbeispiel | Example order | Exemple de commande
 3.134 mm, CRI>90, 4000K, **direct**, low output on/off, black, microprism

LI50A - 319401 - LOBLM

① ② ③ ④ ⑤ ⑥

1 LÄNGE LENGTH LONGEUR	
612 mm	06
972 mm	09
1.212 mm	12
1.452 mm	14
1.692 mm	16
1.932 mm	19
2.172 mm	21
2.412 mm	24
2.892 mm	28
3.132 mm	31
3.854 mm	38

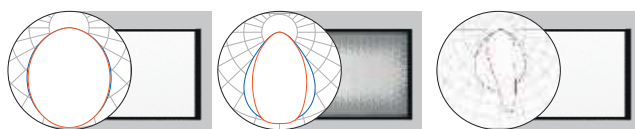
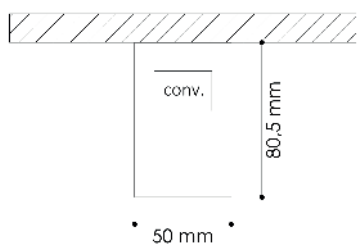
2 FARBWIEDERGABE COLOUR RENDERING RENDU DES COULEURS	
CRI>80	8
CRI>90	9

3 FARBTEMPERATUR COLOUR TEMPERATURE TEMPÉRATURE DE COULEUR	
2700K (CRI>90 only)	27
3000K	30
4000K	40
2700-6500K (CRI>90 only)	DW

4 LEISTUNG & STEUERUNG OUTPUT & CONTROL SORTIE & CONTRÔLE	
low output on/off	LO
low output DALI	LD
high output on/off	HO
high output DALI	HD
dynamic white DALI DT8	DW

5 GEHÄUSEFARBE HOUSING COLOUR COULEUR DU BOÎTIER	
silver RAL9006	SI
white RAL9016	WH
black RAL9005	BL

6 DIFFUSOR DIFFUSER DIFFUSEUR	
opal	O
microprism	M
asymmetric	A



Size [mm]	opal direct		microprism direct		asymmetric direct		KG
	low output [lm] / [W]	high output [lm] / [W]	low output [lm] / [W]	high output [lm] / [W]	low output [lm] / [W]*	high output [lm] / [W]*	
612	866 / 8,8	1.649 / 16,3	826 / 8,8	1.581 / 16,3	867 / 8,8	1.660 / 16,3	1,5
972	1386 / 13	2.638 / 25	1.321 / 13	2.530 / 25	1.387 / 13	2.656 / 25	2,3
1.212	1.731 / 16,3	3.298 / 30	1.652 / 16,3	3.162 / 30	1.735 / 16,3	3.320 / 30	2,9
1.452	2.078 / 18,5	3.958 / 35,8	1.982 / 18,5	3.794 / 35,8	2.081 / 18,5	3.984 / 35,8	3,5
1.692	2.425 / 21,2	4.617 / 41,1	2.313 / 21,2	4.427 / 41,1	2.429 / 21,2	4.648 / 41,1	4,1
1.932	2.772 / 23,7	5.277 / 46,3	2.642 / 23,7	5.059 / 46,3	2.774 / 23,7	5.312 / 46,3	4,6
2.172	3.117 / 26,6	5.936 / 52	2.974 / 26,6	5.692 / 52	3.123 / 26,6	5.977 / 52	5,2
2.412	3.462 / 29,2	6.596 / 57,3	3.304 / 29,2	6.324 / 57,3	3.469 / 29,2	6.640 / 57,3	5,8
2.892	4.156 / 34,3	7.915 / 69,6	3.964 / 34,3	7.589 / 69,6	4.162 / 34,3	7.968 / 69,6	7,0
3.132	4.503 / 36,9	8.575 / 75,5	4.295 / 36,9	8.221 / 75,5	4.510 / 36,9	8.632 / 75,5	7,5
3.854	5.544 / 47,4	10.554 / 92,6	5.284 / 47,4	10.118 / 92,6	5.548 / 47,4	10.624 / 92,6	9,3

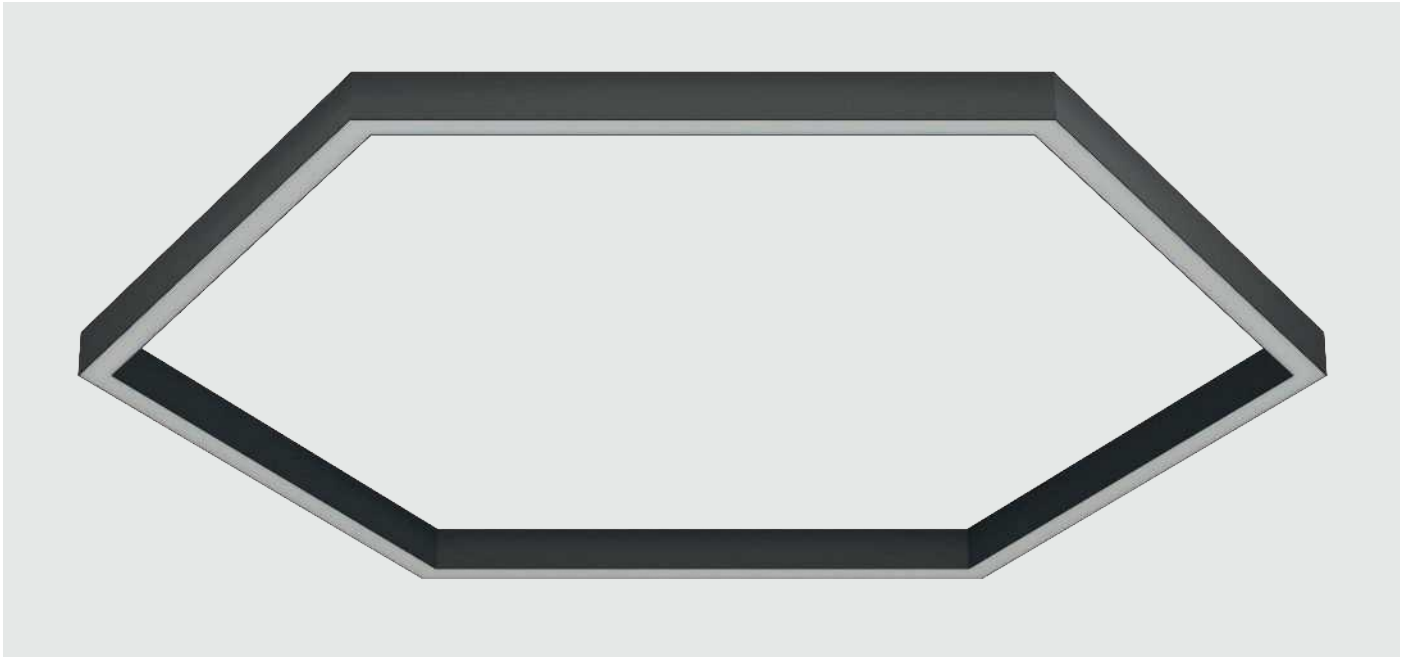
Alle Lumenangaben für 4000K, CRI>80, Microprisma ohne Opalfolie

All lumen values for 4000K, CRI>80, microprism without opal foil

Toutes les données de lumens pour 4000K, CRI>80, microprisme sans feuille opale

LINE50hex

ANBAULEUCHTE | SURFACE MOUNTED LUMINAIRE | LUMINAIRE EN SAILLIE



LED-Anbauleuchte direktstrahlend. Lichtkanal aus Aluminium-Strangpressprofil mit einer Breite von 50 mm. Leuchte in hexagonaler Form mit verschweißten Ecken – Lieferung der drei Standardgrößen komplett in einem Stück (DM 1306 mm), in zwei Teilen (DM 2028 mm) bzw. sechs gleich großen Teilen (DM 2988 mm). Oberfläche der Leuchte feinstruktur matt pulverbeschichtet ähnlich RAL 9016 weiß, RAL 9006 silber oder RAL 9005 schwarz – auf Anfrage in RAL nach Wahl. Diffusor wahlweise in PMMA opal oder PMMA klar mit eingeschobener mikroprismatischer Platte für eine reduzierte Leuchtdichte (UGR<19). Der LED-Treiber ist im Leuchtgehäuse integriert – wahlweise als on/off oder DALI-Variante. Farbtemperaturen 2700K, 3000K, 4000K oder dynamisch Weiß (2700K–6500K) – Farbwiedergabe CRI>80 oder CRI>90 – Mac Adam ≤3. Weitere Steuerungsoptionen oder Lichtfarben auf Anfrage erhältlich. Außerdem ist die Integration vieler Komponenten, wie beispielsweise Notlicht oder Sensortechnologie, sowie eine Vielzahl weiterer Optionen möglich.

Surface-mounted LED luminaire with direct beam. Light channel made of extruded aluminium profile with a width of 50 mm. Luminaire in hexagonal shape with welded corners - delivery of the three standard sizes in one piece (DM 1306 mm), in two pieces (DM 2028 mm) or in six equally sized pieces (DM 2988 mm). Surface of the luminaire fine structure matt powder coated similar to RAL 9016 white, RAL 9006 silver or RAL 9005 black - on request in RAL of choice. Diffuser either in PMMA opal or PMMA clear with inserted microprismatic plate for reduced luminance (UGR<19). The LED driver is integrated in the luminaire housing - either as on/off or DALI version. Colour temperatures 2700K, 3000K, 4000K or dynamic white (2700K-6500K) - colour rendering CRI>80 or CRI>90 - Mac Adam ≤3. Further control options or light colours available on request. In addition, the integration of many components, such as emergency lighting or sensor technology, as well as a variety of other options is possible.

Luminaire de surface LED en saillie à éclairage direct. Canal lumineux en profilé d'aluminium extrudé d'une largeur de 50 mm. Luminaire de forme hexagonale avec coins soudés - livraison des trois tailles standard complètes en une pièce (DM 1306 mm), en deux pièces (DM 2028 mm) ou en six pièces de taille identique (DM 2988 mm). Surface du luminaire à structure fine matte revêtue par poudre similaire à RAL 9016 blanc, RAL 9006 argent ou RAL 9005 noir - sur demande en RAL au choix. Diffuseur au choix en PMMA opale ou en PMMA transparent avec plaque microprismatique insérée pour un éblouissement réduit (UGR<19). Le pilote LED est intégré dans le boîtier du luminaire - au choix sous forme de variante on/off ou DALI. Températures de couleur 2700K, 3000K, 4000K ou blanc dynamique (2700K-6500K) - Rendu des couleurs CRI>80 ou CRI>90 - Mac Adam ≤3. Autres options de commande ou couleurs de lumière disponibles sur demande. En outre, l'intégration de nombreux composants, tels que l'éclairage de secours ou la technologie des capteurs, une multitude d'autres options sont possibles.

ÜBERSICHT | OVERVIEW | VUE D'ENSEMBLE

TECHNICAL DATA

2700K / 3000K / 4000K / 2700-6500K

CRI>80 / CRI>90

MacAdam ≤ 3

up to 122 lm/W, up to 2.766 lm/m

on-off / DALI

direct

opal / microprism (UGR <19)

LIFETIME

L80B10 50.000h

OPTIONS

emergency lighting

motion and day-light sensor

many more on demand

HOUSING COLOUR

schwarz | black | noir
RAL 9005



silber | silver | argent
RAL 9006



weiß | white | blanc
RAL 9016



RAL-Farbe nach Wahl auf Anfrage
RAL colour of your choice on demand
Couleur RAL de votre choix sur demande



>80

>90

IP20

DALI

≤3

>50.000 h

ANBAULEUCHTE „LINE50hex“
 SURFACE MOUNTED LUMINAIRE “LINE50hex”
 LUMINAIRE EN SAILLIE « LINE50hex »

Bestellbeispiel | Example order | Exemple de commande
 2.988 mm, CRI>90, 4000K, **direct**, low output on/off, black, microprism

LH50A - 299401 - LOBLM

1 2 3 4 5 6

1 GRÖSSE SIZE TAILLE	
1.306 mm	13
2.028 mm	20
2.988 mm	29

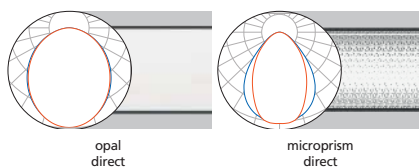
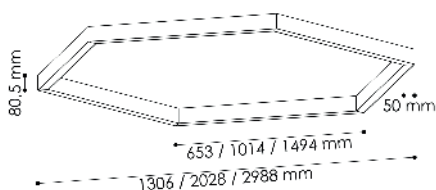
2 FARBWIEDERGABE COLOUR RENDERING RENDU DES COULEURS	
CRI>80	8
CRI>90	9

3 FARBTEMPERATUR COLOUR TEMPERATURE TEMPÉRATURE DE COULEUR	
2700K (CRI>90 only)	27
3000K	30
4000K	40
2700-6500K (CRI>90 only)	DW

4 LEISTUNG & STEUERUNG OUTPUT & CONTROL SORTIE & CONTRÔLE	
low output on/off	LO
low output DALI	LD
high output on/off	HO
high output DALI	HD
dynamic white DALI DT8	DW

5 GEHÄUSEFARBE HOUSING COLOUR COULEUR DU BOÎTIER	
silver RAL9006	SI
white RAL9016	WH
black RAL9005	BL

6 DIFFUSOR DIFFUSER DIFFUSEUR	
opal	O
microprism	M



Size [mm]	opal direct		microprism direct		kg
	low output [lm] / [W]	high output [lm] / [W]	low output [lm] / [W]	high output [lm] / [W]	
1.306	5.196 / 44,9	9.894 / 87,7	4.956 / 44,9	9.486 / 87,7	9,0
2.028	8.316 / 67	15.828 / 134,8	7.926 / 67	15.180 / 134,8	13,8
2.988	12.468 / 99,8	23.748 / 206	11.892 / 99,8	22.764 / 206	21,0

Alle Lumenangaben für 4000K, CRI>80, Microprisma ohne Opalfolie
 All lumen values for 4000K, CRI>80, microprism without opal foil
 Toutes les données de lumens pour 4000K, CRI>80, microprisme sans feuille opale

LINE50quad

ANBAULEUCHTE | SURFACE MOUNTED LUMINAIRE | LUMINAIRE EN SAILLIE



LED-Anbauleuchte direktstrahlend. Lichtkanal aus Aluminium-Strangpressprofil mit einer Breite von 50 mm. Leuchte in quadratischer Form mit verschweißten Ecken – Lieferung der drei Standardgrößen komplett in einem Stück (660, 1020 mm) bzw. in zwei Teilen (1500 mm). Oberfläche der Leuchte feinstruktur matt pulverbeschichtet ähnlich RAL 9016 weiß, RAL 9006 silber oder RAL 9005 schwarz – auf Anfrage in RAL nach Wahl. Diffusor wahlweise in PMMA opal oder PMMA klar mit eingeschobener mikroprismatischer Platte für eine reduzierte Leuchtdichte (UGR<19). Der LED-Treiber ist im Leuchtgehäuse integriert – wahlweise als on/off oder DALI-Variante. Farbtemperaturen 2700K, 3000K, 4000K oder dynamisch Weiß (2700K–6500K) – Farbwiedergabe CRI>80 oder CRI>90 – Mac Adam ≤3. Weitere Steuerungsoptionen oder Lichtfarben auf Anfrage erhältlich. Außerdem ist die Integration vieler Komponenten, wie beispielsweise Notlicht oder Sensortechnologie, sowie eine Vielzahl weiterer Optionen möglich.

Surface-mounted LED luminaire with direct beam. Light channel made of extruded aluminium profile with a width of 50 mm. Luminaire in square shape with welded corners - delivery of the three standard sizes in one piece (660, 1020 mm) or in two pieces (1500 mm). Surface of the luminaire fine structure matt powder coated similar to RAL 9016 white, RAL 9006 silver or RAL 9005 black - on request in RAL of choice. Diffuser either in PMMA opal or PMMA clear with inserted microprismatic plate for reduced luminance (UGR<19). The LED driver is integrated in the luminaire housing - either as on/off or DALI version. Colour temperatures 2700K, 3000K, 4000K or dynamic white (2700K-6500K) - colour rendering CRI>80 or CRI>90 - Mac Adam ≤3. Further control options or light colours available on request. In addition, the integration of many components, such as emergency lighting or sensor technology, as well as a variety of other options is possible.

Luminaire de surface LED en saillie à éclairage direct. Canal lumineux en profilé d'aluminium extrudé d'une largeur de 50 mm. Luminaire de forme carrée avec coins soudés - livraison des trois tailles standard complètes en une pièce (660, 1020 mm) ou en deux pièces (1500 mm). Surface du luminaire à structure fine matte revêtue par poudre similaire à RAL 9016 blanc, RAL 9006 argent ou RAL 9005 noir - sur demande en RAL au choix. Diffuseur au choix en PMMA opale ou en PMMA transparent avec plaque microprismatique insérée pour un éblouissement réduit (UGR<19). Le pilote LED est intégré dans le boîtier du luminaire - au choix sous forme de variante on/off ou DALI. Températures de couleur 2700K, 3000K, 4000K ou blanc dynamique (2700K-6500K) - Rendu des couleurs CRI>80 ou CRI>90 - Mac Adam ≤3. Autres options de commande ou couleurs de lumière disponibles sur demande. En outre, l'intégration de nombreux composants, tels que l'éclairage de secours ou la technologie des capteurs, une multitude d'autres options sont possibles.

ÜBERSICHT | OVERVIEW | VUE D'ENSEMBLE

TECHNICAL DATA

2700K / 3000K / 4000K / 2700-6500K

CRI>80 / CRI>90

MacAdam ≤ 3

up to 122 lm/W, up to 2.766 lm/m

on-off / DALI

direct

opal / microprism (UGR <19)

LIFETIME

L80B10 50.000h

OPTIONS

emergency lighting

motion and day-light sensor

many more on demand

HOUSING COLOUR

schwarz | black | noir
RAL 9005



silber | silver | argent
RAL 9006



weiß | white | blanc
RAL 9016



RAL-Farbe nach Wahl auf Anfrage
RAL colour of your choice on demand
Couleur RAL de votre choix sur demande



ANBAULEUCHTE „LINE50quad“
 SURFACE MOUNTED LUMINAIRE “LINE50quad”
 LUMINAIRE EN SAILLIE « LINE50quad »

Bestellbeispiel | Example order | Exemple de commande
 660 x 660 mm, CRI>90, 4000K, **direct**, low output on/off, black, microprism

LQ50A - 069401 - LOBLM

1 2 3 4 5 6

1 GRÖSSE
 SIZE
 TAILLE

660 x 660 mm	06
1.020 x 1.020 mm	10
1.500 x 1.500 mm	15

2 FARBWIEDERGABE
 COLOUR RENDERING
 RENDU DES COULEURS

CRI>80	8
CRI>90	9

3 FARBTEMPERATUR
 COLOUR TEMPERATURE
 TEMPÉRATURE DE COULEUR

2700K (CRI>90 only)	27
3000K	30
4000K	40
2700-6500K (CRI>90 only)	DW

4 LEISTUNG & STEUERUNG
 OUTPUT & CONTROL
 SORTIE & CONTRÔLE

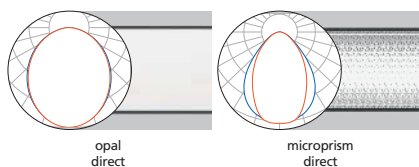
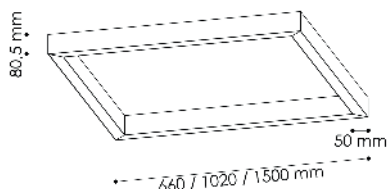
low output on/off	LO
low output DALI	LD
high output on/off	HO
high output DALI	HD
dynamic white DALI DT8	DW

5 GEHÄUSEFARBE
 HOUSING COLOUR
 COULEUR DU BOÎTIER

silver RAL9006	SI
white RAL9016	WH
black RAL9005	BL

6 DIFFUSOR
 DIFFUSER
 DIFFUSEUR

opal	O
microprism	M



Size [mm]	opal direct		microprism direct		KG
	low output [lm] / [W]	high output [lm] / [W]	low output [lm] / [W]	high output [lm] / [W]	
□ 660	3.464 / 29,1	6.596 / 57,2	3.304 / 29,1	6.324 / 57,2	6,0
□ 1.020	5.544 / 44,6	10.552 / 91,7	5.284 / 44,6	10.120 / 91,7	9,2
□ 1.500	8.312 / 67	15.832 / 134,8	7.928 / 67	15.176 / 134,8	14,0

Alle Lumenangaben für 4000K, CRI>80, Microprisma ohne Opalfolie
 All lumen values for 4000K, CRI>80, microprism without opal foil
 Toutes les données de lumens pour 4000K, CRI>80, microprisme sans feuille opale

officeLINE50

ANBAULEUCHTE | SURFACE MOUNTED LUMINAIRE | LUMINAIRE EN SAILLIE



LED-Anbauleuchte direktstrahlend. Lichtkanal aus Aluminium-Strangpressprofil mit einer Breite von 50 mm. Fertigung der Leuchtenlänge millimetergenau auf Kundenwunsch möglich. Oberfläche der Leuchte feinstruktur matt pulverbeschichtet ähnlich RAL 9016 weiß, RAL 9006 silber oder RAL 9005 schwarz – auf Anfrage in RAL nach Wahl. Die Leuchte ist ausgestattet mit einem hochwertigen, facettierten BAP-Raster mit einer Auswahl an sieben verschiedenen Farben – Oberfläche hochglänzend bzw. matt. Der LED-Treiber ist im Leuchtengehäuse integriert – wahlweise als on/off oder DALI-Variante. Farbtemperaturen 2700K, 3000K, 4000K oder dynamisch Weiß (2700K–6500K) – Farbwiedergabe CRI>80 oder CRI>90 – Mac Adam ≤3. Weitere Steuerungsoptionen oder Lichtfarben auf Anfrage erhältlich. Außerdem ist die Integration vieler Komponenten, wie beispielsweise Notlicht oder Sensortechnologie, sowie eine Vielzahl weiterer Optionen möglich.

Surface-mounted LED luminaire with direct beam. Light channel made of extruded aluminium profile with a width of 50 mm. Luminaire length can be manufactured to the exact millimetre on customer request. Surface of the luminaire fine structure matt powder coated similar to RAL 9016 white, RAL 9006 silver or RAL 9005 black - on request in RAL of choice. The luminaire is equipped with a high-quality, faceted BAP louvre with a choice of seven different colours - specular or matt finish. The LED driver is integrated in the luminaire housing - either as on/off or DALI version. Colour temperatures 2700K, 3000K, 4000K or dynamic white (2700K-6500K) - colour rendering CRI>80 or CRI>90 - Mac Adam ≤3. Further control options or light colours available on request. In addition, the integration of many components, such as emergency lighting or sensor technology, as well as a variety of other options is possible.

Luminaire de surface LED en saillie à éclairage direct. Canal lumineux en profilé d'aluminium extrudé d'une largeur de 50 mm. Possibilité de fabriquer la longueur du luminaire au millimètre près sur demande du client. Surface du luminaire à structure fine, revêtement par poudre mat similaire à RAL 9016 blanc, RAL 9006 argent ou RAL 9005 noir - sur demande en RAL au choix. Le luminaire est équipé d'une grille BAP à facettes de haute qualité avec un choix de sept couleurs différentes - surface brillante ou mate. Le pilote LED est intégré dans le boîtier du luminaire - au choix sous forme de variante on/off ou DALI. Températures de couleur 2700K, 3000K, 4000K ou blanc dynamique (2700K-6500K) - Rendu des couleurs CRI>80 ou CRI>90 - Mac Adam ≤3. Autres options de commande ou couleurs de lumière disponibles sur demande. En outre, l'intégration de nombreux composants, tels que l'éclairage de secours ou la technologie de détection, une multitude d'autres options sont possibles.

ÜBERSICHT | OVERVIEW | VUE D'ENSEMBLE

TECHNICAL DATA

2700K / 3000K / 4000K / 2700-6500K

CRI>80 / CRI>90

MacAdam ≤ 3

up to 147 lm/W, up to 4.422 lm/m

on-off / DALI

direct

BAP-Louvre (UGR <19)

LIFETIME

L80B10 50.000h

OPTIONS

emergency lighting

motion and day-light sensor

many more on demand



HOUSING COLOUR

schwarz | black | noir
RAL 9005



silber | silver | argent
RAL 9006



weiß | white | blanc
RAL 9016



RAL-Farbe nach Wahl auf Anfrage
RAL colour of your choice on demand
Couleur RAL de votre choix sur demande



BAP LOUVRE COLOUR

silber hochglanz | silver specular | argenté brillant



gold hochglanz | gold specular | doré brillant



silber matt | silver matt | argenté mat



bronze hochglanz | bronze specular | bronze brillant



schwarz hochglanz | black specular | noir brillant



titan hochglanz | titan specular | titan brillant



schwarz matt | black matt | noir mat



ANBAULEUCHTE „officeLINE50“
 SURFACE MOUNTED LUMINAIRE “officeLINE50”
 LUMINAIRE EN SAILLIE « officeLINE50 »

Bestellbeispiel | Example order | Exemple de commande
 3.370 mm, CRI>90, 4000K, **direct**, low output on/off, black, gold specular

OL50A - 339401 - LOBLG

1 2 3 4 5 6

1 LÄNGE
 LENGTH
 LONGEUR

489 mm	04
969 mm	09
1.209 mm	12
1.449 mm	14
1.689 mm	16
2.169 mm	21
2.889 mm	28
3.370 mm	33

2 FARBWIEDERGABE
 COLOUR RENDERING
 RENDU DES COULEURS

CRI>80	8
CRI>90	9

3 FARBTEMPERATUR
 COLOUR TEMPERATURE
 TEMPÉRATURE DE COULEUR

2700K (CRI>90 only)	27
3000K	30
4000K	40
2700-6500K (CRI>90 only)	DW

4 LEISTUNG & STEUERUNG
 OUTPUT & CONTROL
 SORTIE & CONTRÔLE

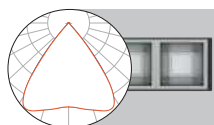
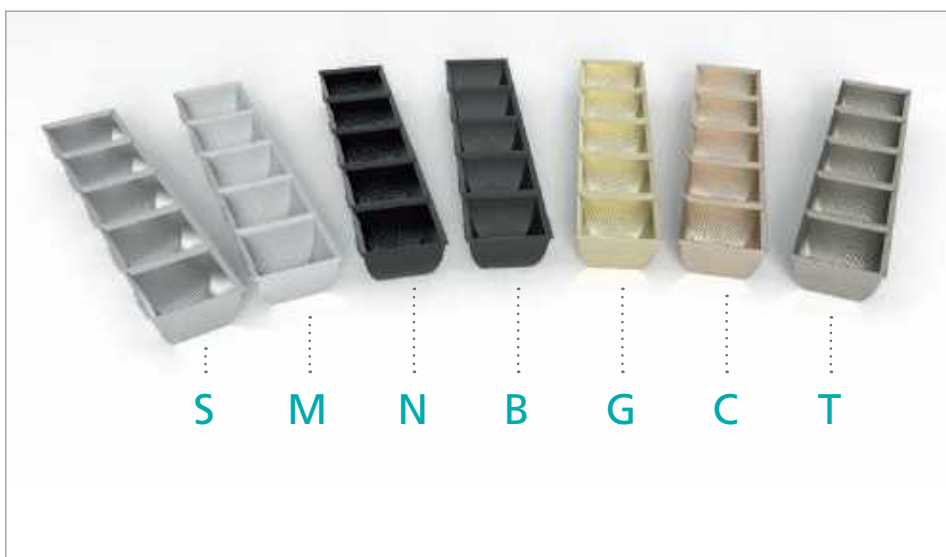
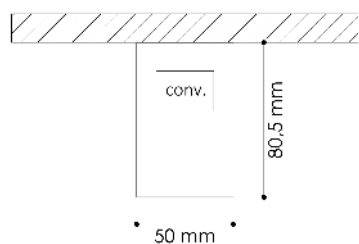
low output on/off	LO
low output DALI	LD
high output on/off	HO
high output DALI	HD
dynamic white DALI DT8	DW

5 GEHÄUSEFARBE
 HOUSING COLOUR
 COULEUR DU BOÎTIER

silver RAL9006	SI
white RAL9016	WH
black RAL9005	BL

6 BAP-RASTER FARBE
 BAP LOUVRE COLOUR
 GRILLE BAP COULEUR

silver specular	S
silver matt	M
black specular	N
black matt	B
gold specular	G
bronze specular	C
titan specular	T

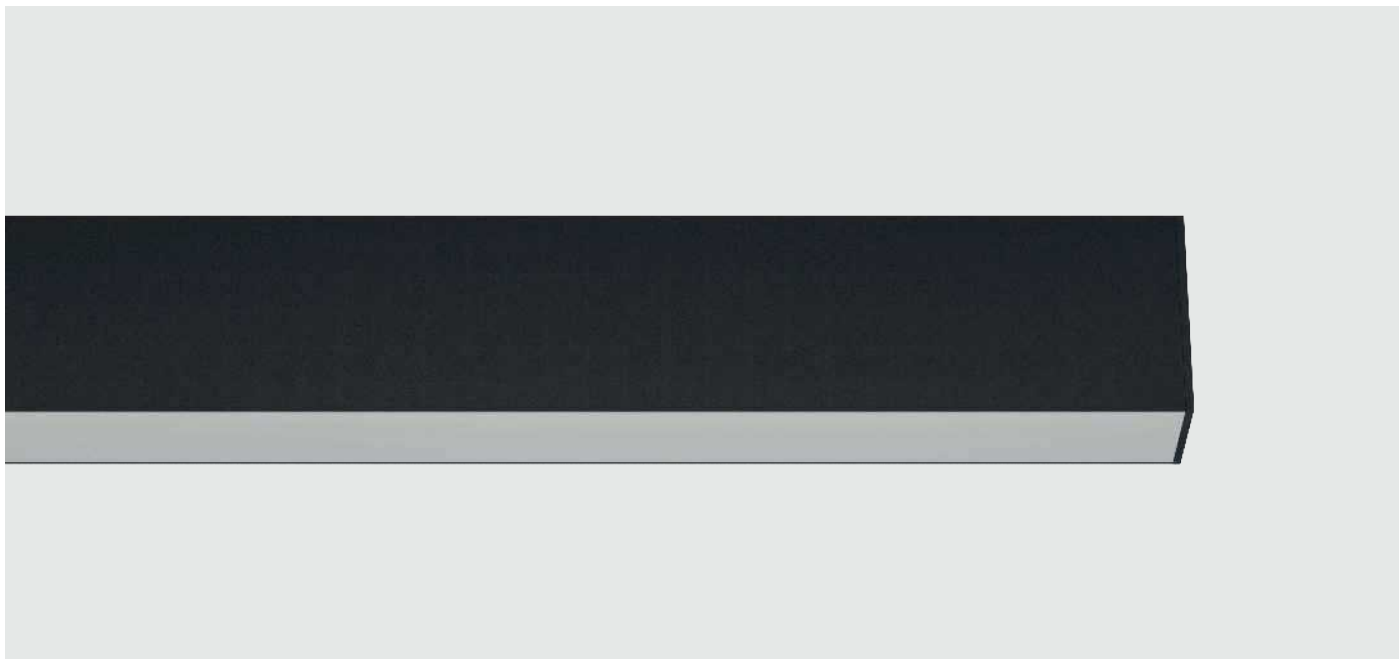


Size [mm]	direct		
	low output [lm] / [W]	high output [lm] / [W]	
489	1.106 / 8,8	2.064 / 16,7	1,4
969	2.212 / 17,1	4.128 / 32,3	2,3
1.209	2.765 / 20,5	5.160 / 39,4	2,8
1.449	3.318 / 24	6.192 / 46,5	3,3
1.689	3.871 / 27,6	7.224 / 53,8	3,7
2.169	4.977 / 34,6	9.288 / 67,7	4,7
2.889	6.636 / 44,8	12.384 / 88,9	6,3
3.370	7.742 / 55,2	14.448 / 107,6	7,4

Alle Lumenangaben für 4000K, CRI>80, Reflektor silber hochglanz
 All lumen values for 4000K, CRI>80, reflector silver specular
 Toutes les données de lumens pour 4000K, CRI>80, réflecteur argenté brillant

LINE70

ANBAULEUCHTE | SURFACE MOUNTED LUMINAIRE | LUMINAIRE EN SAILLIE



LED-Anbauleuchte direktstrahlend. Lichtkanal aus Aluminium-Strangpressprofil mit einer Breite von 71mm. Fertigung der Leuchtenlänge millimetergenau auf Kundenwunsch möglich. Oberfläche der Leuchte feinstruktur matt pulverbeschichtet ähnlich RAL 9016 weiß, RAL 9006 silber oder RAL 9005 schwarz – auf Anfrage in RAL nach Wahl. Diffusor wahlweise in PMMA opal oder PMMA klar mit eingeschobener mikroprismatischer Platte für eine reduzierte Leuchtdichte (UGR<19). Der LED-Treiber ist im Leuchtgehäuse integriert – wahlweise als on/off oder DALI-Variante. Farbtemperaturen 2700K, 3000K, 4000K oder dynamisch Weiß (2700K–6500K) – Farbwiedergabe CRI>80 oder CRI>90 – Mac Adam ≤3. Weitere Steuerungsoptionen oder Lichtfarben auf Anfrage erhältlich. Außerdem ist die Integration vieler Komponenten, wie beispielsweise Notlicht oder Sensortechnologie, sowie eine Vielzahl weiterer Optionen möglich.

Surface-mounted LED luminaire with direct beam. Light channel made of extruded aluminium profile with a width of 71 mm. Luminaire length can be manufactured to the exact millimetre on customer request. Surface of the luminaire fine structure matt powder coated similar to RAL 9016 white, RAL 9006 silver or RAL 9005 black - on request in RAL of choice. Diffuser either in PMMA opal or PMMA clear with inserted microprismatic plate for reduced luminance (UGR<19). The LED driver is integrated in the luminaire housing - either as on/off or DALI version. Colour temperatures 2700K, 3000K, 4000K or dynamic white (2700K-6500K) - colour rendering CRI>80 or CRI>90 - Mac Adam ≤3. Further control options or light colours available on request. In addition, the integration of many components, such as emergency lighting or sensor technology, as well as a variety of other options is possible.

Luminaire de surface LED en saillie à éclairage direct. Canal lumineux en profilé d'aluminium extrudé d'une largeur de 71mm. Fabrication de la longueur du luminaire au millimètre près possible sur demande du client. Surface du luminaire à structure fine, revêtement par poudre mat similaire à RAL 9016 blanc, RAL 9006 argent ou RAL 9005 noir - sur demande en RAL au choix. Diffuseur au choix en PMMA opale ou en PMMA transparent avec plaque microprismatique insérée pour un éblouissement réduit (UGR<19). Le pilote LED est intégré dans le boîtier du luminaire - au choix sous forme de variante on/off ou DALI. Températures de couleur 2700K, 3000K, 4000K ou blanc dynamique (2700K-6500K) - Rendu des couleurs CRI>80 ou CRI>90 - Mac Adam ≤3. Autres options de commande ou couleurs de lumière disponibles sur demande. En outre, l'intégration de nombreux composants, tels que l'éclairage de secours ou la technologie de détection, une multitude d'autres options sont possibles.

ÜBERSICHT | OVERVIEW | VUE D'ENSEMBLE

TECHNICAL DATA

2700K / 3000K / 4000K / 2700-6500K

CRI>80 / CRI>90

MacAdam ≤ 3

up to 137 lm/W, up to 2.848 lm/m

on-off / DALI

direct

opal / microprism (UGR <19)

LIFETIME

L80B10 50.000h

OPTIONS

emergency lighting

motion and day-light sensor

many more on demand

HOUSING COLOUR

schwarz | black | noir
RAL 9005



silber | silver | argent
RAL 9006



weiß | white | blanc
RAL 9016



RAL-Farbe nach Wahl auf Anfrage
RAL colour of your choice on demand
Couleur RAL de votre choix sur demande



>80

>90

IP20

DALI

≤3

>50.000 h

ANBAULEUCHTE „LINE70“

SURFACE MOUNTED LUMINAIRE “LINE70”
LUMINAIRE EN SAILLIE « LINE70 »

Bestellbeispiel | Example order | Exemple de commande

3.134 mm, CRI>90, 4000K, **direct**, low output on/off, black, microprism

LI70A - 319401 - LOBLM

1 2 3 4 5 6

1 LÄNGE LENGTH LONGEUR

614 mm	06
974 mm	09
1.214 mm	12
1.454 mm	14
1.694 mm	16
1.934 mm	19
2.174 mm	21
2.414 mm	24
2.894 mm	28
3.134 mm	31
3.856 mm	38

2 FARBWIEDERGABE COLOUR RENDERING RENDU DES COULEURS

CRI>80	8
CRI>90	9

3 FARBTEMPERATUR COLOUR TEMPERATURE TEMPÉRATURE DE COULEUR

2700K (CRI>90 only)	27
3000K	30
4000K	40
2700-6500K (CRI>90 only)	DW

4 LEISTUNG & STEUERUNG OUTPUT & CONTROL SORTIE & CONTRÔLE

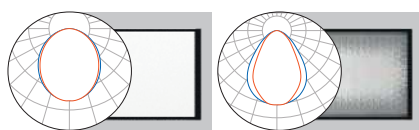
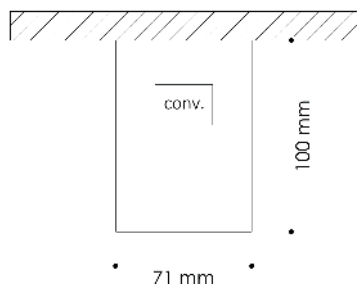
low output on/off	LO
low output DALI	LD
high output on/off	HO
high output DALI	HD
dynamic white DALI DT8	DW

5 GEHÄUSEFARBE HOUSING COLOUR COULEUR DU BOÎTIER

silver RAL9006	SI
white RAL9016	WH
black RAL9005	BL

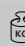
6 DIFFUSOR DIFFUSER DIFFUSEUR

opal	O
microprism	M



opal direct

microprism direct

Size [mm]	low output [lm] / [W]		high output [lm] / [W]		
	low output [lm] / [W]	high output [lm] / [W]	low output [lm] / [W]	high output [lm] / [W]	
614	1.077 / 11,8	1.709 / 16,3	1.045 / 11,8	1.608 / 16,3	2,2
974	1.723 / 15,2	2.734 / 25	1.672 / 15,2	2.573 / 25	3,1
1.214	2.154 / 18,8	3.418 / 30	2.090 / 18,8	3.216 / 30	3,6
1.454	2.585 / 22,1	4.102 / 35,8	2.508 / 22,1	3.859 / 35,8	4,2
1.694	3.016 / 25,5	4.785 / 41,1	2.926 / 25,5	4.502 / 41,1	4,9
1.934	3.446 / 28,7	5.469 / 46,3	3.344 / 28,7	5.146 / 46,3	5,4
2.174	3.877 / 32	6.152 / 52	3.762 / 32	5.789 / 52	6,1
2.414	4.308 / 35,4	6.836 / 57,3	4.180 / 35,4	6.432 / 57,3	6,8
2.894	5.170 / 41,6	8.203 / 69,6	5.016 / 41,6	7.718 / 69,6	8,0
3.134	5.600 / 44,8	8.887 / 75,5	5.434 / 44,8	8.362 / 75,5	8,6
3.856	6.892 / 57,4	10.938 / 92,6	6.688 / 57,4	10.292 / 92,6	10,8

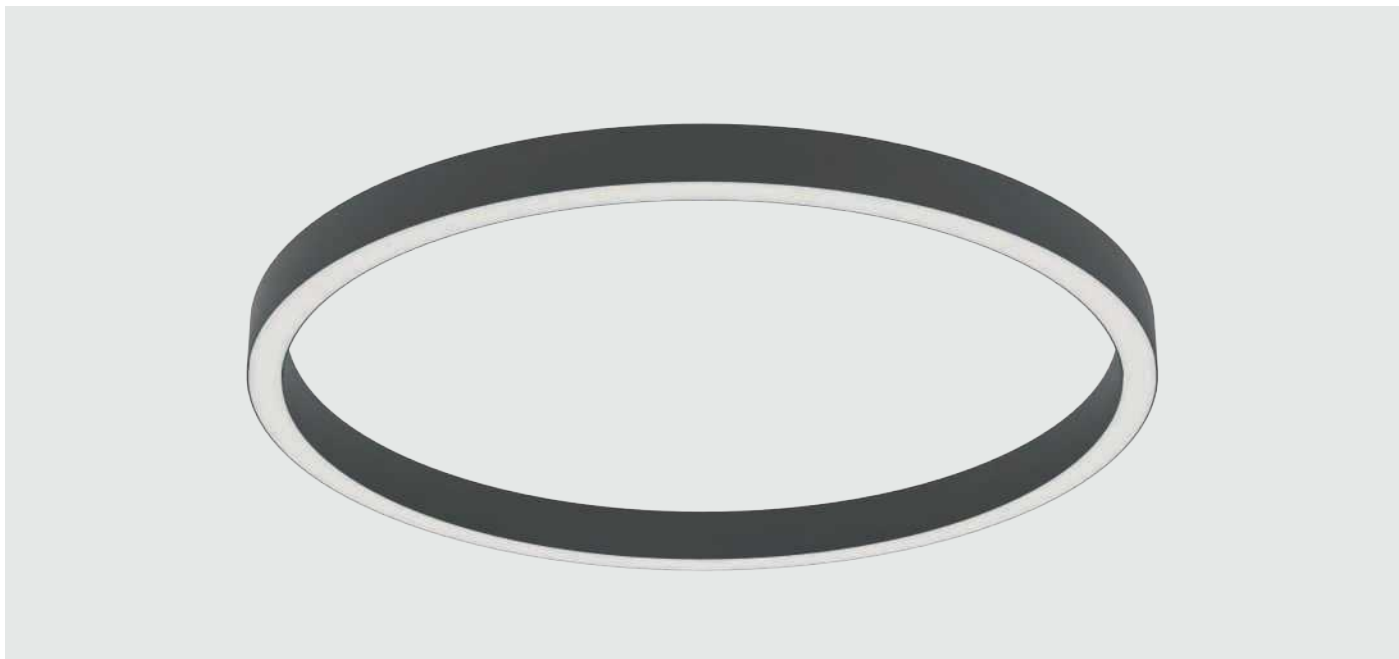
Alle Lumenangaben für 4000K, CRI>80, Microprisma ohne Opalfolie

All lumen values for 4000K, CRI>80, microprism without opal foil

Toutes les données de lumens pour 4000K, CRI>80, microprisme sans feuille opale

RING50

ANBAULEUCHTE | SURFACE MOUNTED LUMINAIRE | LUMINAIRE EN SAILLIE



Ringförmige LED-Anbauleuchte direktstrahlend. Lichtkanal aus gerolltem Aluminiumprofil mit einer Breite von 50 mm. Leuchte erhältlich in neun verschiedenen Durchmessern – 1220 und 1575 mm in einem Stück nahtlos verschweißt – die restlichen Größen (2020, 2595, 3090, 3535, 4070, 5050, 6075 mm) bestehend aus zwei bis neun gleich großen Segmenten. Oberfläche der Leuchte feinstruktur matt pulverbeschichtet ähnlich RAL 9016 weiß, RAL 9006 silber oder RAL 9005 schwarz – auf Anfrage in RAL nach Wahl. Diffusor wahlweise in PMMA opal oder PMMA klar mit mikroprismatischer Prägung für eine reduzierte Leuchtdichte (UGR<19). Der LED-Treiber ist im Leuchtgehäuse integriert – wahlweise als on/off oder DALI-Variante. Farbtemperaturen 2700K, 3000K, 4000K oder dynamisch Weiß (2700K–6500K) – Farbwiedergabe CRI>80 oder CRI>90 – Mac Adam ≤3. Weitere Steuerungsoptionen oder Lichtfarben auf Anfrage erhältlich. Außerdem ist die Integration vieler Komponenten, wie beispielsweise Notlicht oder Sensortechnologie, sowie eine Vielzahl weiterer Optionen möglich.

Ring-shaped surface-mounted LED luminaire with direct beam. Light channel made of rolled aluminium profile with a width of 50 mm. Luminaire available in nine different diameters - 1220 and 1575 mm seamlessly welded in one piece - the remaining sizes (2020, 2595, 3090, 3535, 4070, 5050, 6075 mm) consisting of two to nine equally sized segments. Surface of the luminaire fine structure matt powder coated similar to RAL 9016 white, RAL 9006 silver or RAL 9005 black - on request in RAL of choice. Diffuser either in PMMA opal or PMMA clear with microprismatic pattern for reduced luminance (UGR<19). The LED driver is integrated in the luminaire housing - either as on/off or DALI version. Colour temperatures 2700K, 3000K, 4000K or dynamic white (2700K-6500K) - colour rendering CRI>80 or CRI>90 - Mac Adam ≤3. Further control options or light colours available on request. In addition, the integration of many components, such as emergency lighting or sensor technology, as well as a variety of other options is possible.

Luminaire LED en saillie en forme d'anneau à éclairage direct. Canal lumineux en profilé d'aluminium roulé d'une largeur de 50 mm. Luminaire disponible en neuf diamètres différents - 1220 et 1575 mm en une seule pièce soudée sans soudure - les autres tailles (2020, 2595, 3090, 3535, 4070, 5050, 6075 mm) se composent de deux à neuf segments de même taille. Surface du luminaire à structure fine matte revêtue par poudre similaire à RAL 9016 blanc, RAL 9006 argent ou RAL 9005 noir - sur demande en RAL au choix. Diffuseur au choix en PMMA opale ou en PMMA transparent avec gaufrage microprismatique pour un éblouissement réduit (UGR<19). Le driver LED est intégré dans le boîtier du luminaire - au choix en version on/off ou DALI. Températures de couleur 2700K, 3000K, 4000K ou blanc dynamique (2700K-6500K) - Rendu des couleurs CRI>80 ou CRI>90 - Mac Adam ≤3. Autres options de commande ou couleurs de lumière disponibles sur demande. En outre, l'intégration de nombreux composants, tels que l'éclairage de secours ou la technologie de détection, une multitude d'autres options sont possibles.

ÜBERSICHT | OVERVIEW | VUE D'ENSEMBLE

TECHNICAL DATA

2700K / 3000K / 4000K / 2700-6500K

CRI>80 / CRI>90

MacAdam ≤ 3

up to 119 lm/W

on-off / DALI

direct

opal / microprism (UGR <19)

LIFETIME

L80B10 50.000h

OPTIONS

emergency lighting

motion and day-light sensor

many more on demand

HOUSING COLOUR

schwarz | black | noir
RAL 9005



silber | silver | argent
RAL 9006



weiß | white | blanc
RAL 9016



RAL-Farbe nach Wahl auf Anfrage
RAL colour of your choice on demand
Couleur RAL de votre choix sur demande



>80

>90

IP40

DALI

≤3

>50.000 h

ANBAULEUCHTE „RING50“
 SURFACE MOUNTED LUMINAIRE “RING50”
 LUMINAIRE EN SAILLIE « RING50 »

Bestellbeispiel | Example order | Exemple de commande
 6.075 mm, CRI>90, 4000K, **direct**, low output on/off, black, microprism

RG50A - 609401 - LOBLM

1 2 3 4 5 6

1 DURCHMESSER
DIAMETER
DIAMÈTRE

1.220 mm (no DW)	12
1.575 mm (no DW)	15
2.020 mm	20
2.595 mm	25
3.090 mm	30
3.535 mm	35
4.070 mm	40
5.050 mm	50
6.075 mm	60

2 FARBWIEDERGABE
COLOUR RENDERING
RENDU DES COULEURS

CRI>80	8
CRI>90	9

3 FARBTEMPERATUR
COLOUR TEMPERATURE
TEMPÉRATURE DE COULEUR

2700K (CRI>90 only)	27
3000K	30
4000K	40
2700-6500K (CRI>90 only)	DW

4 LEISTUNG & STEUERUNG
OUTPUT & CONTROL
SORTIE & CONTRÔLE

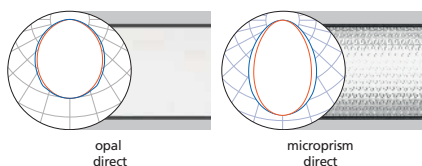
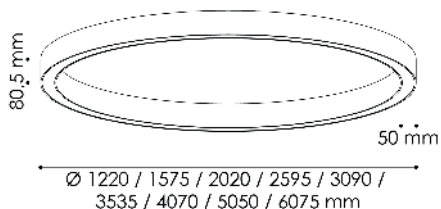
low output on/off	LO
low output DALI	LD
high output on/off	HO
high output DALI	HD
dynamic white DALI DT8	DW

5 GEHÄUSEFARBE
HOUSING COLOUR
COULEUR DU BOÎTIER

silver RAL9006	SI
white RAL9016	WH
black RAL9005	BL

6 DIFFUSOR
DIFFUSER
DIFFUSEUR

opal	O
microprism	M



Size [mm]	opal direct		microprism direct		kg
	low output [lm] / [W]	high output [lm] / [W]	low output [lm] / [W]	high output [lm] / [W]	
Ø 1.220	4.888 / 44,7	8.376 / 72,5	5.026 / 44,7	8.616 / 72,5	9,9
Ø 1.575	6.110 / 59	10.470 / 90,6	6.283 / 59	10.770 / 90,6	12,8
Ø 2.020	7.943 / 76,7	13.611 / 117,8	8.168 / 76,7	14.001 / 117,8	16,5
Ø 2.595	10.387 / 100,3	17.799 / 154	10.681 / 100,3	18.309 / 154	21,1
Ø 3.090	12.220 / 118	20.940 / 181,2	12.566 / 118	21.540 / 181,2	25,2
Ø 3.535	14.053 / 135,7	24.081 / 208,4	14.451 / 135,7	24.771 / 208,4	28,8
Ø 4.070	15.886 / 153,4	27.222 / 235,6	16.336 / 153,4	28.002 / 235,6	33,2
Ø 5.050	20.163 / 194,7	34.551 / 299	20.734 / 194,7	35.541 / 299	41,1
Ø 6.075	23.829 / 230,1	40.833 / 353,3	24.504 / 230,1	42.003 / 353,3	49,5

Alle Lumenangaben für 4000K, CRI>80, Gehäusefarbe weiß
 All lumen values for 4000K, CRI>80, housing colour white
 Toutes les données de lumens pour 4000K, CRI>80, couleur du boîtier blanc

FLEX50

ANBAULEUCHE | SURFACE MOUNTED LUMINAIRE | LUMINAIRE EN SAILLIE







LED-Anbauleuchte als Segment zur individuellen Kombination. Direktstrahlend. Lichtkanal aus gerolltem Aluminiumprofil mit einer Breite von 50 mm. Segmente erhältlich in 13 verschiedenen Varianten – zwei Stück als gerades Profil 980 oder 1960 mm – die restlichen Segmente sind als 40°, 45°, 60°- bzw. 90°-Stücke mit einem Mittenradius von 585 bis 3012,5 mm erhältlich. Oberfläche der Leuchte feinstruktur matt pulverbeschichtet ähnlich RAL 9016 weiß, RAL 9006 silber oder RAL 9005 schwarz – auf Anfrage in RAL nach Wahl. Diffusor wahlweise in PMMA opal oder PMMA mit mikroprismatischer Prägung für eine reduzierte Leuchtdichte (UGR<19). Der LED-Treiber ist im Leuchtgehäuse integriert – wahlweise als on/off oder DALI-Variante. Farbtemperaturen 2700K, 3000K, 4000K oder dynamisch Weiß (2700K–6500K) – Farbwiedergabe CRI>80 oder CRI>90 – Mac Adam ≤3. Weitere Steuerungsoptionen oder Lichtfarben auf Anfrage erhältlich. Außerdem ist die Integration vieler Komponenten, wie beispielsweise Notlicht oder Sensortechnologie, sowie eine Vielzahl weiterer Optionen möglich.

Surface-mounted LED luminaire as segment for individual combination. Direct beam. Light channel made of rolled aluminium profile with a width of 50 mm. Segments available in 13 different versions - two pieces as straight profile 980 or 1960 mm - the remaining segments are available as 40°, 45°, 60° or 90° pieces with a middle radius of 585 to 3012.5 mm. Surface of the luminaire fine structure matt powder coated similar to RAL 9016 white, RAL 9006 silver or RAL 9005 black - on request in RAL of choice. Diffuser either in PMMA opal or PMMA clear with microprismatic pattern for reduced luminance (UGR<19). The LED driver is integrated in the luminaire housing - either as on/off or DALI version. Colour temperatures 2700K, 3000K, 4000K or dynamic white (2700K-6500K) - colour rendering CRI>80 or CRI>90 - Mac Adam ≤3. Further control options or light colours available on request. In addition, the integration of many components, such as emergency lighting or sensor technology, as well as a variety of other options is possible.

Luminaire LED en saillie a segment pour une combinaison individuelle. Éclairage direct de la surface. Canal lumineux en profilé d'aluminium roulé d'une largeur de 50 mm. Segments disponibles en 13 variantes différentes - deux pièces en tant que profil droit de 980 ou 1960 mm - les autres segments sont disponibles en tant que pièces de 40°, 45°, 60° ou 90° avec un rayon central de 585 à 3012,5 mm. Surface du luminaire à structure fine matte revêtue par poudre similaire à RAL 9016 blanc, RAL 9006 argent ou RAL 9005 noir - sur demande en RAL au choix. Diffuseur au choix en PMMA opale ou en PMMA transparent avec gaufrage microprismatique pour un éblouissement réduit (UGR<19). Le driver LED est intégré dans le boîtier du luminaire - au choix en version on/off ou DALI. Températures de couleur 2700K, 3000K, 4000K ou blanc dynamique (2700K-6500K) - Rendu des couleurs CRI>80 ou CRI>90 - Mac Adam ≤3. Autres options de commande ou couleurs de lumière disponibles sur demande. En outre, l'intégration de nombreux composants, tels que l'éclairage d'urgence ou la technologie de détection, une multitude d'autres options sont possibles.

ÜBERSICHT | OVERVIEW | VUE D'ENSEMBLE

TECHNICAL DATA	
2700K / 3000K / 4000K / 2700-6500K	
CRI>80 / CRI>90	
MacAdam ≤ 3	
up to 119 lm/W	
on-off / DALI	
direct	
opal / microprism (UGR <19)	
HOUSING COLOUR	
schwarz black noir RAL 9005	
silber silver argent RAL 9006	
weiß white blanc RAL 9016	
RAL-Farbe nach Wahl auf Anfrage RAL colour of your choice on demand Couleur RAL de votre choix sur demande	

LIFETIME
L80B10 50.000h

OPTIONS
emergency lighting
motion and day-light sensor
many more on demand

 LED	 CRI	 CRI	 IP20	 DALI	 SDCM	 >50.000 h
	>80	>90			≤3	

ANBAULEUCHE „FLEX50“
 SURFACE MOUNTED LUMINAIRE “FLEX50”
 LUMINAIRE EN SAILLIE « FLEX50 »

Bestellbeispiel | Example order | Exemple de commande
 straight, 1.960 mm, CRI>90, 4000K, **direct**, low output on/off, black, microprism

FX50E - L29401 - LOBLM

1 2 3 4 5 6

1 GRÖSSE SIZE TAILLE	
straight, L 980 mm	L1
straight, L 1.960 mm	L2
90°, R 585 mm (no DW)	19
90°, R 762,5 mm (no DW)	29
90°, R 985 mm	39
45°, R 1.272,5 mm	44
90°, R 1.272,5 mm	49
60°, R 1.520 mm	56
90°, R 1.520 mm	59
60°, R 1.742,5 mm	66
60°, R 2.010 mm	76
45°, R 2.500 mm	84
40°, R 3.012,5 mm	94

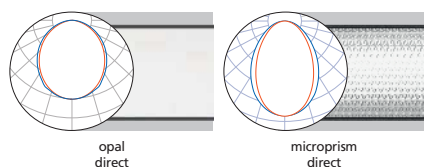
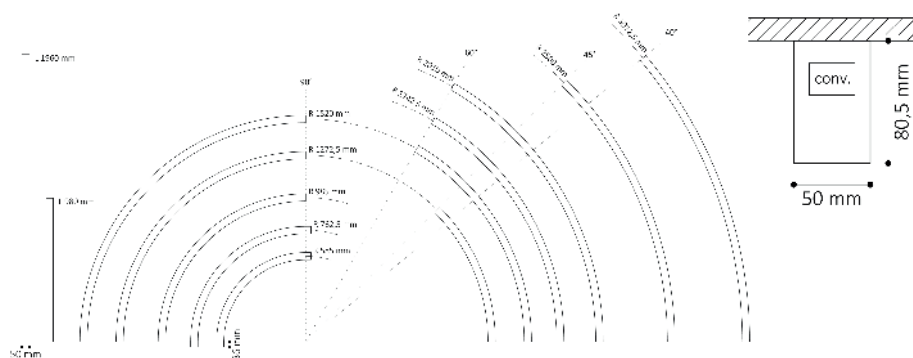
2 FARBWIEDERGABE COLOUR RENDERING RENDU DES COULEURS	
CRI>80	8
CRI>90	9

3 FARBTemperatur COLOUR TEMPERATURE TEMPÉRATURE DE COULEUR	
2700K (CRI>90 only)	27
3000K	30
4000K	40
2700-6500K (CRI>90 only)	DW

4 LEISTUNG & STEUERUNG OUTPUT & CONTROL SORTIE & CONTRÔLE	
low output on/off	LO
low output DALI	LD
high output on/off	HO
high output DALI	HD
dynamic white DALI DT8	DW

5 GEHÄUSEFARBE HOUSING COLOUR COULEUR DU BOÎTIER	
silver RAL9006	SI
white RAL9016	WH
black RAL9005	BL

6 DIFFUSOR DIFFUSER DIFFUSEUR	
opal	O
microprism	M



Size [mm]	opal direct		microprism direct		KG
	low output [lm] / [W]	high output [lm] / [W]	low output [lm] / [W]	high output [lm] / [W]	
straight, L 980	1.222 / 11,2	2.094 / 18,1	1.257 / 11,2	2.153 / 18,1	2,6
straight, L 1.960	2.554 / 23,3	4.377 / 37,8	2.626 / 23,3	4.377 / 37,8	5,3
90°, R 585	1.224 / 11,2	2.096 / 18,1	1.256 / 11,2	2.156 / 18,1	2,6
90°, R 762,5	1.530 / 14	2.620 / 22,7	1.570 / 14	2.695 / 22,7	3,3
90°, R 985	1.836 / 16,8	3.144 / 27,2	1.884 / 16,8	3.234 / 27,2	4,3
45°, R 1.272,5	1.224 / 11,2	2.096 / 18,1	1.256 / 11,2	2.156 / 18,1	2,7
90°, R 1.272,5	2.448 / 22,4	4.192 / 36,2	2.512 / 22,4	4.312 / 36,2	5,5
60°, R 1.520	1.836 / 16,8	3.144 / 27,2	1.884 / 16,8	3.234 / 27,2	4,3
90°, R 1.520	3.060 / 28	5.240 / 45,3	3.140 / 28	5.390 / 45,3	6,5
60°, R 1.742,5	2.142 / 19,6	3.668 / 31,7	2.198 / 19,6	3.773 / 31,7	5,0
60°, R 2.010	2.754 / 25,2	4.716 / 40,8	2.826 / 25,2	4.851 / 40,8	5,7
45°, R 2.500	2.448 / 22,4	4.192 / 36,2	2.512 / 22,4	4.312 / 36,2	5,3
40°, R 3.012,5	2.754 / 25,2	4.716 / 40,8	2.826 / 25,2	4.851 / 40,8	5,7

ACCESSORIES	
END CAPS - 2 pcs.	
black	FX50A-EC-BL
silver	FX50A-EC-SI
white	FX50A-EC-WH

Alle Lumenangaben für 4000K, CRI>80, Gehäusefarbe weiß
 All lumen values for 4000K, CRI>80, housing colour white
 Toutes les données de lumens pour 4000K, CRI>80, couleur du boîtier blanc

ROUND90

ANBAULEUCHTE | SURFACE MOUNTED LUMINAIRE | LUMINAIRE EN SAILLIE



Runde LED-Flächenleuchte zur Anbaumontage. Direktstrahlend oder direkt-indirektstrahlend. Gehäuse aus gerolltem Aluminiumprofil, nahtlos verschweißt. Fertigung der Leuchte in vier Durchmessern: 350, 450, 650 und 950 mm mit einer Gesamthöhe von 90 mm. Oberfläche pulverbeschichtet feinstruktur matt ähnlich RAL 9016 weiß, RAL 9006 silber oder RAL 9005 schwarz – auf Anfrage in RAL nach Wahl. Die durchdachte Konstruktion der Leuchte ermöglicht ein Design in zahlreichen Farbkombinationen – zwischen Gehäusefarbe und Dekorring kann beliebig kombiniert werden. Um der Leuchtenfamilie neben den Standardfarben einen dekorativen Touch zu verleihen, steht der Dekorring auch in den strukturierten Spezialoberflächen schlaggold, schlagsilber und schlagbronze zur Auswahl. Diffusor in PMMA wahlweise opal, mikroprismatisch inkl. Streufoolie oder nur mikroprismatisch (office special) für eine reduzierte Leuchtdichte (UGR<19). Einfache Montage durch Einschieben des Leuchtgehäuses in den Baldachin. Der LED-Treiber ist im Leuchtgehäuse integriert – wahlweise als on/off oder DALI-Variante. Farbtemperaturen 2700K, 3000K, 4000K oder dynamisch Weiß (2700K–6500K) – Farbwiedergabe CRI>80 oder CRI>90 – Mac Adam ≤3. Weitere Steuerungsoptionen oder Lichtfarben auf Anfrage möglich. Außerdem ist die Integration vieler Komponenten, wie beispielsweise Notlicht oder Sensortechnologie, sowie eine Vielzahl weiterer Optionen möglich.

Round surface-mounted LED luminaire. Direct beam or direct-indirect beam. Housing made of rolled aluminium profile, seamlessly welded. Luminaire manufactured in four diameters: 350, 450, 650 and 950 mm with a total height of 90 mm. Surface powder coated fine structure matt similar to RAL 9016 white, RAL 9006 silver or RAL 9005 black - on request in RAL of choice. The sophisticated construction of the luminaire allows a design in numerous colour combinations - any combination of housing colour and decorative ring is possible. To give the luminaire family a decorative touch in addition to the standard colours, the decorative ring is also available in the special textured surfaces beaten gold, beaten silver and beaten bronze. Diffuser in PMMA either opal, microprism incl. diffuser foil or only microprism (office special) for reduced luminance (UGR<19). Easy installation by sliding the luminaire housing into the canopy. The LED driver is integrated in the luminaire housing - either as on/off or DALI version. Colour temperatures 2700K, 3000K, 4000K or dynamic white (2700K-6500K) - colour rendering CRI>80 or CRI>90 - Mac Adam ≤3. Further control options or light colours available on request. In addition, the integration of many components, such as emergency lighting or sensor technology, as well as a variety of other options is possible.

Luminaire LED rond en saillie. Éclairage direct ou éclairage direct-indirect. Boîtier en profilé d'aluminium roulé, soudé sans soudeuse. Fabrication du luminaire en quatre diamètres : 350, 450, 650 et 950 mm avec une hauteur totale de 90 mm. Surface revêtue par poudre à structure fine mate similaire à RAL 9016 blanc, RAL 9006 argent ou RAL 9005 noir - sur demande en RAL au choix. La construction bien pensée du luminaire permet un design dans de nombreuses combinaisons de couleurs - il est possible de combiner à volonté entre la couleur du boîtier et l'anneau décoratif. Pour donner à la famille de luminaires une touche décorative en plus des couleurs standard, l'anneau décoratif est également disponible dans les surfaces spéciales structurées or choc, argent choc et bronze choc. Diffuseur en PMMA au choix opale, microprismatique y compris feuille diffusante ou uniquement microprismatique (office special) pour un éblouissement réduit (UGR<19). Montage facile en insérant le corps du luminaire dans le canopy. Le driver LED est intégré dans le boîtier du luminaire - au choix en version on/off ou DALI. Températures de couleur 2700K, 3000K, 4000K ou blanc dynamique (2700K-6500K) - Rendu des couleurs CRI>80 ou CRI>90 - Mac Adam ≤3. Autres options de commande ou couleurs de lumière possibles sur demande. En outre, l'intégration de nombreux composants, tels que l'éclairage de secours ou la technologie des capteurs, une multitude d'autres options sont possibles.

ÜBERSICHT | OVERVIEW | VUE D'ENSEMBLE

TECHNICAL DATA
2700K / 3000K / 4000K / 2700-6500K
CRI>80 / CR>90
MacAdam ≤ 3
up to 174 lm/W
on-off / DALI
direct / direct + indirect
opal / microprism / office special (UGR <19)

LIFETIME
L80B10 50.000h

OPTIONS
emergency lighting
motion and day-light sensor
many more on demand

	>80	>90	IP40/50			DALI	≤3	>50.000 h

HOUSING COLOUR	
schwarz black noir RAL 9005	
silber silver argent RAL 9006	
weiß white blanc RAL 9016	
RAL-Farbe nach Wahl auf Anfrage RAL colour of your choice on demand Couleur RAL de votre choix sur demande	

DECORATION RING COLOUR			
schwarz black noir RAL 9005		schlaggold beaten gold or texturés	
silber silver argent RAL 9006		schlagsilber beaten silver argent texturés	
weiß white blanc RAL 9016		schlagbronze beaten bronze bronze texturés	
RAL-Farbe nach Wahl auf Anfrage RAL colour of your choice on demand Couleur RAL de votre choix sur demande			

ANBAULEUCHTE „ROUND90“
 SURFACE MOUNTED LUMINAIRE “ROUND90”
 LUMINAIRE EN SAILLIE « ROUND90 »

Bestellbeispiel | Example order | Exemple de commande
 350 mm, CRI>90, 4000K, direct, low output on/off, black, beaten gold, microprism

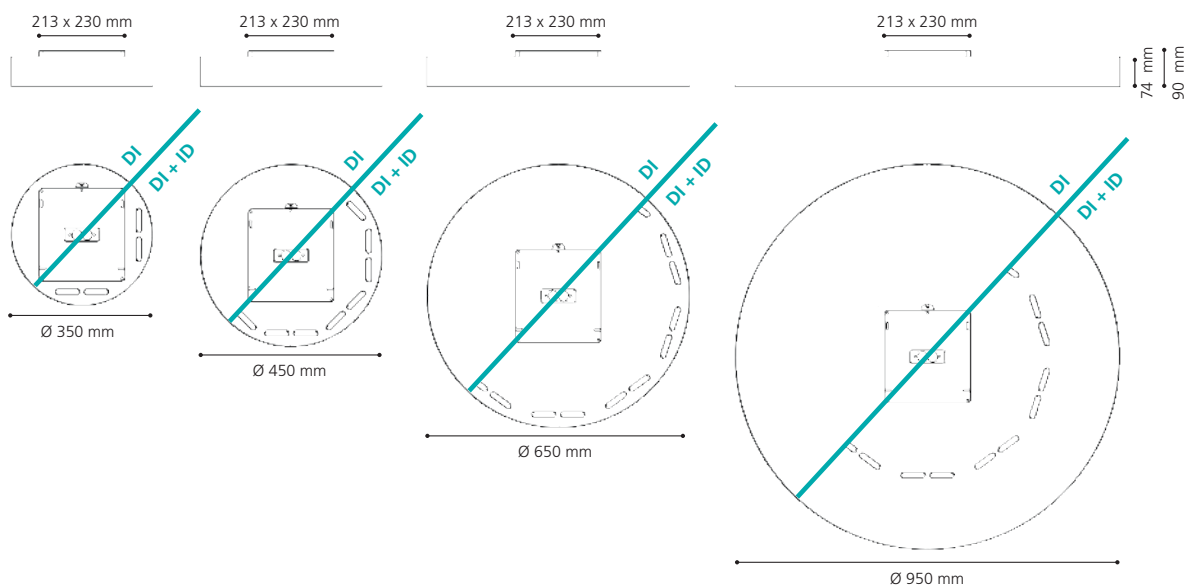
RO90A - 359401 - LOBGM

1 2 3 4 5 6 7 8

1	DURCHMESSER DIAMETER DIAMÈTRE	
	350 mm	35
	450 mm	45
	650 mm	65
	950 mm	95
2	FARBWIEDERGABE COLOUR RENDERING RENDU DES COULEURS	
	CRI>80	8
	CRI>90	9
3	FARBTEMPERATUR COLOUR TEMPERATURE TEMPÉRATURE DE COULEUR	
	2700K (CRI>90 only)	27
	3000K	30
	4000K	40
	2700-6500K (CRI>90 only)	DW

4	LICHTVERTEILUNG LIGHT DISTRIBUTION DISTRIBUTION DE LA LUMIÈRE	
	direct	1
	direct + indirect	2
5	LEISTUNG & STEUERUNG OUTPUT & CONTROL SORTIE & CONTRÔLE	
	low output on/off	LO
	low output DALI	LD
	high output on/off	HO
	high output DALI	HD
	dynamic white DALI DT8	DW
6	GEHÄUSEFARBE HOUSING COLOUR COULEUR DU BOÎTIER	
	silver RAL9006	S
	white RAL9016	W
	black RAL9005	B

7	DEKORRING FARBE DECORATION RING COLOUR BAGUE DÉCORATIVE COULEUR	
	silver RAL9006	S
	white RAL9016	W
	black RAL9005	B
	beaten gold	G
	beaten silver	A
	beaten bronze	C
8	DIFFUSOR DIFFUSER DIFFUSEUR	
	opal	O
	microprism	M
	office special	B



Size [mm]	opal direct		microprism direct		office special direct		opal direct + indirect		microprism direct + indirect		office special direct + indirect		KG
	low output [lm] / [W]	high output [lm] / [W]	low output [lm] / [W]	high output [lm] / [W]	low output [lm] / [W]	high output [lm] / [W]	low output [lm] / [W]	high output [lm] / [W]	low output [lm] / [W]	high output [lm] / [W]	low output [lm] / [W]	high output [lm] / [W]	
Ø 350	1.158 / 8,5	1.826 / 13	1.077 / 8,5	1.697 / 13	1.213 / 8,5	1.905 / 13	1.747 / 12	2.625 / 17,5	1.661 / 12	2.493 / 17,5	1.795 / 12	2.691 / 17,5	3,4
Ø 450	2.257 / 15,5	3.561 / 23,5	2.099 / 15,5	3.309 / 23,5	2.364 / 15,5	3.715 / 23,5	3.207 / 21	4.820 / 30	3.050 / 21	4.577 / 30	3.295 / 21	4.941 / 30	4,0
Ø 650	4.114 / 27	6.489 / 41	3.825 / 27	6.029 / 41	4.309 / 27	6.770 / 41	5.534 / 35	8.317 / 51	5.263 / 35	7.897 / 51	5.687 / 35	8.526 / 51	7,6
Ø 950	9.102 / 57	14.360 / 86	8.466 / 57	13.342 / 86	8.466 / 57	13.342 / 86	11.036 / 68	16.585 / 99	10.494 / 68	15.748 / 99	11.342 / 68	17.004 / 99	19,0

Alle Lumenangaben für 4000K, CRI>80, Gehäusefarbe weiß
 All lumen values for 4000K, CRI>80, housing colour white
 Toutes les données de lumens pour 4000K, CRI>80, couleur du boîtier blanc

SQUARE90

ANBAULEUCHTE | SURFACE MOUNTED LUMINAIRE | LUMINAIRE EN SAILLIE



Quadratische LED-Flächenleuchte zur Anbaumontage. Direktstrahlend oder direkt-indirektstrahlend. Gehäuse aus Aluminiumprofil, nahtlos verschweißt. Fertigung der Leuchte in vier Größen: 350, 450, 650 und 950 mm mit einer Gesamthöhe von 90 mm. Oberfläche pulverbeschichtet feinstruktur matt ähnlich RAL 9016 weiß, RAL 9006 silber oder RAL 9005 schwarz – auf Anfrage in RAL nach Wahl. Die durchdachte Konstruktion der Leuchte ermöglicht ein Design in zahlreichen Farbkombinationen – zwischen Gehäusefarbe und Dekorring kann beliebig kombiniert werden. Um der Leuchtenfamilie neben den Standardfarben einen dekorativen Touch zu verleihen, steht der Dekorring auch in den strukturierten Spezialoberflächen schlaggold, schlagsilber und schlagbronze zur Auswahl. Diffuser in PMMA wahlweise opal, mikroprismatisch inkl. Streufolie oder nur mikroprismatisch (office special) für eine reduzierte Leuchtdichte (UGR<19). Einfache Montage durch Einschieben des Leuchtengehäuses in den Baldachin. Der LED-Treiber ist im Leuchtengehäuse integriert – wahlweise als on/off oder DALI-Variante. Farbtemperaturen 2700K, 3000K, 4000K oder dynamisch Weiß (2700K–6500K) – Farbwiedergabe CRI>80 oder CRI>90 – Mac Adam ≤3. Weitere Steuerungsoptionen oder Lichtfarben auf Anfrage möglich. Außerdem ist die Integration vieler Komponenten, wie beispielsweise Notlicht oder Sensortechnologie, sowie eine Vielzahl weiterer Optionen möglich.

Square surface-mounted LED luminaire. Direct beam or direct-indirect beam. Housing made of aluminium profile, seamlessly welded. Luminaire manufactured in four sizes: 350, 450, 650 and 950 mm with a total height of 90 mm. Surface powder coated fine structure matt similar to RAL 9016 white, RAL 9006 silver or RAL 9005 black - on request in RAL of choice. The sophisticated construction of the luminaire allows a design in numerous colour combinations - any combination of housing colour and decorative ring is possible. To give the luminaire family a decorative touch in addition to the standard colours, the decorative ring is also available in the structured special surfaces of beaten gold, beaten silver and beaten bronze. Diffuser in PMMA either opal, microprism incl. diffuser foil or only microprism (office special) for reduced luminance (UGR<19). Easy mounting by sliding the luminaire housing into the canopy. The LED driver is integrated in the luminaire housing - either as on/off or DALI version. Colour temperatures 2700K, 3000K, 4000K or dynamic white (2700K-6500K) - colour rendering CRI>80 or CRI>90 - Mac Adam ≤3. Further control options or light colours available on request. In addition, the integration of many components, such as emergency lighting or sensor technology, as well as a variety of other options is possible.

Luminaire carré LED en saillie. Éclairage direct ou direct-indirect. Boîtier en profilé d'aluminium, soudé sans soudure. Fabrication du luminaire en quatre dimensions : 350, 450, 650 et 950 mm avec une hauteur totale de 90 mm. Surface revêtue par poudre à structure fine mate similaire à RAL 9016 blanc, RAL 9006 argent ou RAL 9005 noir - sur demande en RAL au choix. La construction bien pensée du luminaire permet un design dans de nombreuses combinaisons de couleurs - il est possible de combiner à volonté entre la couleur du boîtier et l'anneau décoratif. Pour donner à la famille de luminaires une touche décorative en plus des couleurs standard, l'anneau décoratif est également disponible dans les surfaces spéciales structurées or choc, argent choc et bronze choc. Diffuseur en PMMA au choix opale, microprismatique y compris film diffusant ou uniquement microprismatique (office special) pour un éblouissement réduit (UGR<19). Montage facile en insérant le corps du luminaire dans le canopy. Le driver LED est intégré dans le boîtier du luminaire - au choix en version on/off ou DALI. Températures de couleur 2700K, 3000K, 4000K ou blanc dynamique (2700K-6500K) - Rendu des couleurs CRI>80 ou CRI>90 - Mac Adam ≤3. Autres options de commande ou couleurs de lumière possibles sur demande. En outre, l'intégration de nombreux composants, tels que l'éclairage de secours ou la technologie des capteurs, une multitude d'autres options sont possibles.

ÜBERSICHT | OVERVIEW | VUE D'ENSEMBLE

TECHNICAL DATA

2700K / 3000K / 4000K / 2700-6500K

CRI>80 / CRI>90

MacAdam ≤ 3

up to 175 lm/W

on-off / DALI

direct / direct + indirect

opal / microprism / office special (UGR <19)

LIFETIME

L80B10 50.000h

OPTIONS

emergency lighting

motion and day-light sensor

many more on demand



HOUSING COLOUR

schwarz | black | noir
RAL 9005



silber | silver | argent
RAL 9006



weiß | white | blanc
RAL 9016



RAL-Farbe nach Wahl auf Anfrage
RAL colour of your choice on demand
Couleur RAL de votre choix sur demande



DECORATION RING COLOUR

schwarz | black | noir
RAL 9005



silber | silver | argent
RAL 9006



weiß | white | blanc
RAL 9016



RAL-Farbe nach Wahl auf Anfrage
RAL colour of your choice on demand
Couleur RAL de votre choix sur demande



schlaggold | beaten gold | or texturés



schlagsilber | beaten silver | argent texturés



schlagbronze | beaten bronze | bronze texturés



ANBAULEUCHTE „SQURE90“
SURFACE MOUNTED LUMINAIRE “SQURE90”
LUMINAIRE EN SAILLIE « SQURE90 »

Bestellbeispiel | Example order | Exemple de commande
 350 mm, CRI>90, 4000K, direct, low output on/off, black, beaten gold, microprismmicoprism

SQ90A - 359401 - LOBGM

1 2 3 4 5 6 7 8

1 GRÖSSE
SIZE
TAILLE

350 x 350 mm	35
450 x 450 mm	45
650 x 650 mm	65
950 x 950 mm	95

2 FARBWIEDERGABE
COLOUR RENDERING
RENDU DES COULEURS

CRI>80	8
CRI>90	9

3 FARBTEMPERATUR
COLOUR TEMPERATURE
TEMPÉRATURE DE COULEUR

2700K (CRI>90 only)	27
3000K	30
4000K	40
2700-6500K (CRI>90 only)	DW

4 LICHTVERTEILUNG
LIGHT DISTRIBUTION
DISTRIBUTION DE LA LUMIÈRE

direct	1
direct + indirect	2

5 LEISTUNG & STEUERUNG
OUTPUT & CONTROL
SORTIE & CONTRÔLE

low output on/off	LO
low output DALI	LD
high output on/off	HO
high output DALI	HD
dynamic white DALI DT8	DW

6 GEHÄUSEFARBE
HOUSING COLOUR
COULEUR DU BOÎTIER

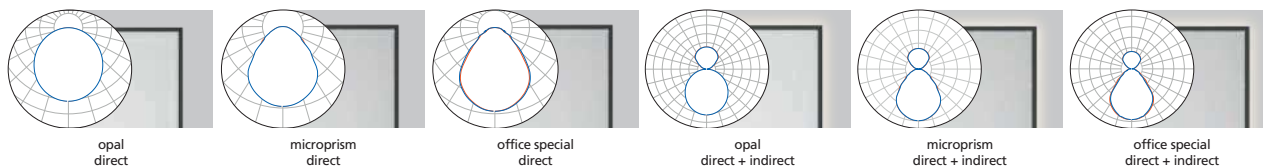
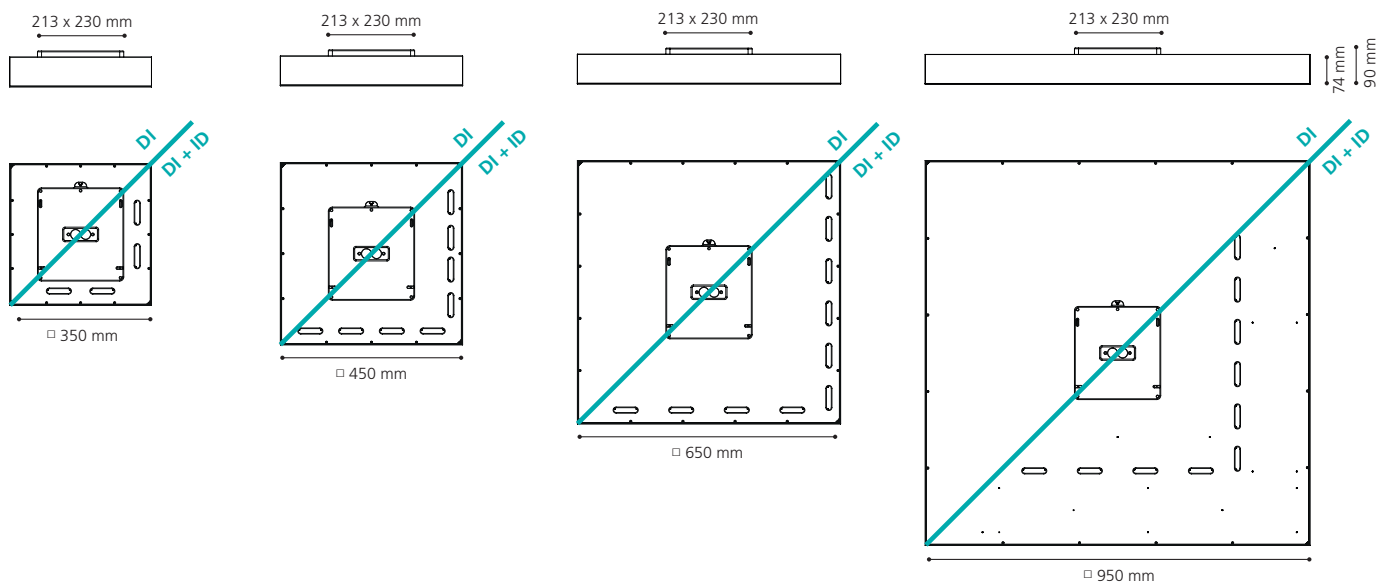
black RAL9005	B
silver RAL9006	S
white RAL9016	W

7 DEKORRING FARBE
DECORATION RING COLOUR
BAGUE DÉCORATIVE COULEUR

black RAL9005	B
silver RAL9006	S
white RAL9016	W
beaten gold	G
beaten silver	A
beaten bronze	C

8 DIFFUSOR
DIFFUSER
DIFFUSEUR

opal	O
microprism	M
office special	B



Size [mm]	opal direct		microprism direct		office special direct		opal direct + indirect		microprism direct + indirect		office special direct + indirect		KG
	low output [lm] / [W]	high output [lm] / [W]	low output [lm] / [W]	high output [lm] / [W]	low output [lm] / [W]	high output [lm] / [W]	low output [lm] / [W]	high output [lm] / [W]	low output [lm] / [W]	high output [lm] / [W]	low output [lm] / [W]	high output [lm] / [W]	
□ 350	1.349 / 9,9	2.365 / 16,7	1.256 / 9,9	2.208 / 16,7	1.402 / 9,9	2.470 / 16,7	2.029 / 13,8	3.488 / 23,1	1.923 / 13,8	3.308 / 23,1	2.081 / 13,8	3.579 / 23,1	3,9
□ 450	2.288 / 15,4	4.011 / 26	2.130 / 15,4	3.744 / 26	2.377 / 15,4	4.189 / 26	3.236 / 20,7	5.563 / 34,6	3.067 / 20,7	5.276 / 34,6	3.319 / 20,7	5.709 / 34,6	5,4
□ 650	4.711 / 30,5	8.258 / 51,6	4.385 / 30,5	7.708 / 51,6	4.894 / 30,5	8.624 / 51,6	5.845 / 37	10.048 / 61,8	5.845 / 37	9.530 / 61,8	5.995 / 37	10.312 / 61,8	9,3
□ 950	9.868 / 60,9	17.299 / 102,8	9.187 / 60,9	16.148 / 102,8	10.252 / 60,9	18.067 / 102,8	10.918 / 67,4	18.770 / 112,6	10.348 / 67,4	17.801 / 112,6	11.198 / 67,4	19.262 / 112,6	23,4

Alle Lumenangaben für 4000K, CRI>80, Gehäusefarbe weiß
 All lumen values for 4000K, CRI>80, housing colour white
 Toutes les données de lumens pour 4000K, CRI>80, couleur du boîtier blanc

techDOT 150surface

DOWNLIGHT | DOWNLIGHT | DOWNLIGHT



Runder LED-Anbaudownlight direktstrahlend. Leuchte aus Aluminium-Druckguss mit einem Durchmesser von 151 mm und einer Höhe von 200 mm. Oberfläche der Leuchte feinstruktur matt pulverbeschichtet ähnlich RAL 9016 weiß oder ähnlich RAL 9005 schwarz. Das Baukastensystem ermöglicht das Auswählen von zwei unterschiedlichen Reflektor-Farben: silber-matt oder schwarz-matt für eine reduzierte Leuchtdichte (UGR<19). Der LED-Treiber ist im Leuchtgehäuse integriert – wahlweise als on/off Variante oder als DALI-Variante mit verschiedenen Leistungsstufen. Farbtemperaturen 3000K oder 4000K – Farbwiedergabe CRI>90 – Mac Adam ≤3. Weitere Optionen und Konfigurationen auf Anfrage möglich.

Round surface mounted LED downlight direct beam. Luminaire made of die-cast aluminium with a diameter of 151 mm and a height of 200 mm. Surface of the luminaire fine structure matt powder coated similar to RAL 9016 white or similar to RAL 9005 black. The modular system allows the selection of two different reflector colours: matt silver or matt black for reduced luminance (UGR<19). The LED driver is integrated in the luminaire housing - either as an on/off version or as a DALI version with different power levels. Colour temperatures 3000K or 4000K - colour rendering CRI>90 - Mac Adam ≤3. Further options and configurations available on request.

Luminaire rond LED en saillie à éclairage direct. Luminaire en aluminium moulé sous pression d'un diamètre de 151 mm et d'une hauteur de 200 mm. Surface du luminaire revêtue de poudre à structure fine mate similaire à RAL 9016 blanc ou similaire à RAL 9005 noir. Le système modulaire permet de choisir entre deux couleurs de réflecteur différentes : argent mat ou noir mat un éblouissement réduit (UGR<19). Le pilote LED est intégré dans le boîtier du luminaire - au choix en version on/off ou en version DALI avec différents niveaux de puissance. Températures de couleur 3000K ou 4000K - Rendu des couleurs CRI>90 - Mac Adam ≤3. Autres options et configurations possibles sur demande.

ÜBERSICHT | OVERVIEW | VUE D'ENSEMBLE

TECHNICAL DATA

3000K / 4000K

CRI>90

MacAdam ≤ 3

on-off / DALI

beam angle: 60°

LIFETIME

L80B10 50.000h

OPTIONS

emergency lighting

many more on demand

HOUSING COLOUR

schwarz | black | noir
RAL 9005



weiß | white | blanc
RAL 9016



REFLECTOR COLOUR

silber matt | silver matt | argenté mat



schwarz matt | black matt | noir mat



>90

IP20

DALI

≤3

>50.000 h

DOWNLIGHT „techDOT150surface“
 DOWNLIGHT “techDOT150surface”
 DOWNLIGHT « techDOT150surface »

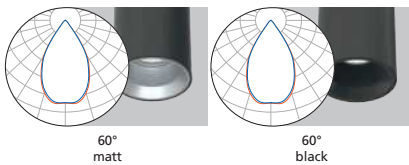
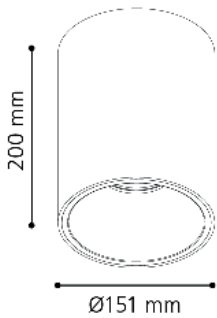
Bestellbeispiel | Example order | Exemple de commande
 60°, CRI>90, 4000K, **direct**, low output on/off, black, silver matt


TD15A - 609401 - LOBLM

① ② ③ ④

1	FARBTEMPERATUR	
	COLOUR TEMPERATURE TEMPÉRATURE DE COULEUR	
	3000K	30
	4000K	40
2	LEISTUNG & STEUERUNG	
	OUTPUT & CONTROL SORTIE & CONTRÔLE	
	low output on/off	LO
	high output on/off	HO
	high output DALI	HD

3	GEHÄUSEFARBE	
	HOUSING COLOUR COULEUR DU BOÎTIER	
	white RAL9016	WH
	black RAL9005	BL
4	REFLEKTOR FARBE	
	REFLECTOR COLOUR COULEUR DU RÉFLECTEUR	
	silver matt	M
	black matt	B



Size [mm]	60° matt		60° black		
	low output [lm] / [W]	high output [lm] / [W]	low output [lm] / [W]	high output [lm] / [W]	
Ø 151	1.333 / 15,5	2.135 / 25	1.277 / 15,5	2.085 / 25	2,2

Alle Lumenangaben für 4000K
 All lumen values for 4000K
 Toutes les données de lumens pour 4000

OVERVIEW

HÄNGELEUCHTEN | PENDANT LUMINAIRES | SUSPENSIONS



LINE40
106



LINE50
108



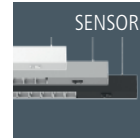
LINE50hex
110



LINE50quad
112



officeLINE50
114



officeLINE50
116



LINE70
118



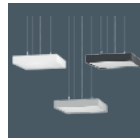
RING50
120



FLEX50
122



ROUND90
124



SQUARE90
126

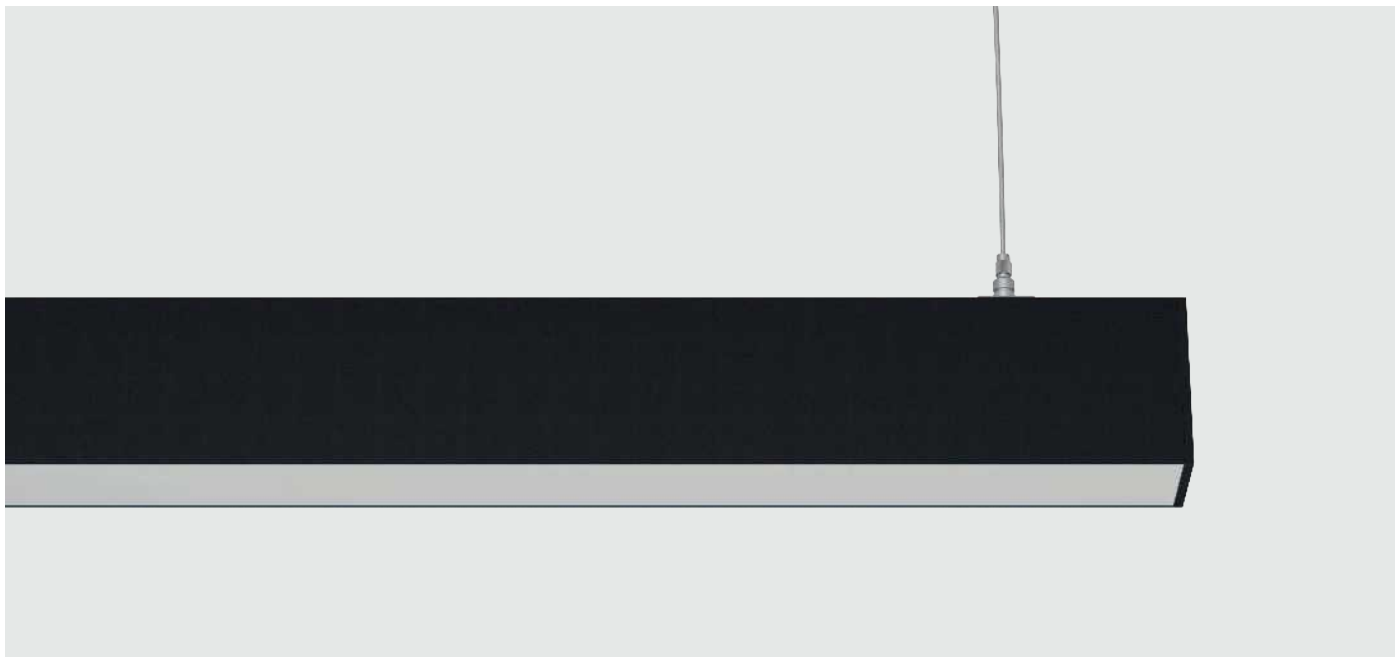
HÄNGELEUCHTEN

PENDANT LUMINAIRES

SUSPENSIONS

LINE40

HÄNGELEUCHE | PENDANT LUMINAIRE | LUMINAIRE SUSPENSION



LED-Hängeleuchte direktstrahlend oder direkt-indirektstrahlend. Lichtkanal aus Aluminium-Strangpressprofil mit einer Breite von 41 mm. Fertigung der Leuchtenlänge millimetergenau auf Kundenwunsch möglich. Oberfläche der Leuchte feinstruktur matt pulverbeschichtet ähnlich RAL 9016 weiß, RAL 9006 silber oder RAL 9005 schwarz – auf Anfrage in RAL nach Wahl. Diffusor wahlweise in PMMA opal, PMMA opal U-Abdeckung oder PMMA klar mit eingeschobener mikroprismatischer Platte für eine reduzierte Leuchtdichte (UGR<19). Leuchte inkl. weißem, rechteckigem Baldachin mit transparentem Einspeisekabel sowie flexiblen Seilabhängern und Schnellspannern zur stufenlosen Regulierung der Montagehöhe. Der LED-Treiber ist im Leuchtgehäuse integriert – wahlweise als on/off oder DALI-Variante. Farbtemperaturen 2700K, 3000K, 4000K – Farbwiedergabe CRI>80 oder CRI>90 – Mac Adam ≤3. Weitere Steuerungsoptionen oder Lichtfarben auf Anfrage erhältlich. Außerdem ist die Integration vieler Komponenten, wie beispielsweise Notlicht oder Sensortechnologie, sowie eine Vielzahl weiterer Optionen möglich.

Pendant LED luminaire direct beam or direct-indirect beam. Light channel made of extruded aluminium profile with a width of 41 mm. Luminaire length can be manufactured to the exact millimetre on customer request. Surface of the luminaire fine structure matt powder coated similar to RAL 9016 white, RAL 9006 silver or RAL 9005 black - on request in RAL of choice. Diffuser either in PMMA opal, PMMA opal U-cover or PMMA clear with inserted microprismatic plate for reduced luminance (UGR<19). Luminaire incl. white, rectangular canopy with transparent feeding cable as well as flexible cord suspensions and quick-release clamps for continuous adjustment of mounting height. The LED driver is integrated in the luminaire housing - either as on/off or DALI version. Colour temperatures 2700K, 3000K, 4000K - colour rendering CRI>80 or CRI>90 - Mac Adam ≤3. Further control options or light colours available on request. In addition, the integration of many components, such as emergency lighting or sensor technology, as well as a variety of other options is possible.

Suspension LED à éclairage direct ou direct-indirect. Canal lumineux en profilé d'aluminium extrudé d'une largeur de 41 mm. Fabrication de la longueur du luminaire au millimètre près possible sur demande du client. Surface du luminaire à structure fine, revêtement par poudre mat similaire à RAL 9016 blanc, RAL 9006 argent ou RAL 9005 noir - sur demande en RAL au choix. Diffuseur au choix en PMMA opale, PMMA opale cache U ou PMMA transparent avec plaque microprismatique insérée pour un éblouissement réduit (UGR<19). Luminaire avec rosace rectangulaire blanche, câble d'alimentation transparent, câble flexibles et tendeurs rapides permettant de régler la hauteur en continu. Le pilote LED est intégré dans le boîtier du luminaire - au choix sous forme de variante on/off ou DALI. Températures de couleur 2700K, 3000K, 4000K - Rendu des couleurs CRI>80 ou CRI>90 - Mac Adam ≤3. Autres options de commande ou couleurs de lumière disponibles sur demande. En outre, l'intégration de nombreux composants, tels que l'éclairage de secours ou des capteurs, une multitude d'autres options sont possibles.

ÜBERSICHT | OVERVIEW | VUE D'ENSEMBLE

TECHNICAL DATA

2700K / 3000K / 4000K

CRI>80 / CRI>90

MacAdam ≤ 3

up to 143 lm/W, up to 6.241 lm/m

on-off / DALI

direct / direct + indirect

opal / opal-U / microprism (UGR <19)

HOUSING COLOUR

schwarz | black | noir
RAL 9005



silber | silver | argent
RAL 9006



weiß | white | blanc
RAL 9016



RAL-Farbe nach Wahl auf Anfrage
RAL colour of your choice on demand
Couleur RAL de votre choix sur demande



LIFETIME

L80B10 50.000h

OPTIONS

emergency lighting

motion and day-light sensor

many more on demand



>80

>90

IP20

DALI

≤3

>50.000 h

HÄNGELEUCHTE „LINE40“
 PENDANT LUMINAIRE “LINE40”
 LUMINAIRE SUSPENSION « LINE40 »

Bestellbeispiel | Example order | Exemple de commande
 3.372 mm, CRI>90, 4000K, direct + indirect, low output on/off, black, microprism

LI40H - 339402 - LOBLM

1 2 3 4 5 6 7

1 LÄNGE
 LENGTH
 LONGEUR

1.131 mm	11
1.271 mm	12
1.411 mm	14
1.691 mm	16
2.251 mm	22
2.531 mm	25
2.812 mm	28
3.372 mm	33
3.792 mm	37

2 FARBWIEDERGABE
 COLOUR RENDERING
 RENDU DES COULEURS

CRI>80	8
CRI>90	9

3 FARBTemperatur
 COLOUR TEMPERATURE
 TEMPÉRATURE DE COULEUR

2700K (CRI>90 only)	27
3000K	30
4000K	40

4 LICHTVERTEILUNG
 LIGHT DISTRIBUTION
 DISTRIBUTION DE LA LUMIÈRE

direct	1
direct + indirect	2

5 LEISTUNG & STEUERUNG
 OUTPUT & CONTROL
 SORTIE & CONTRÔLE

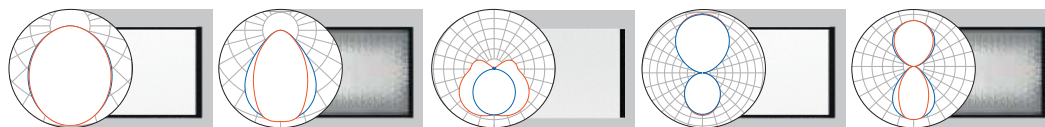
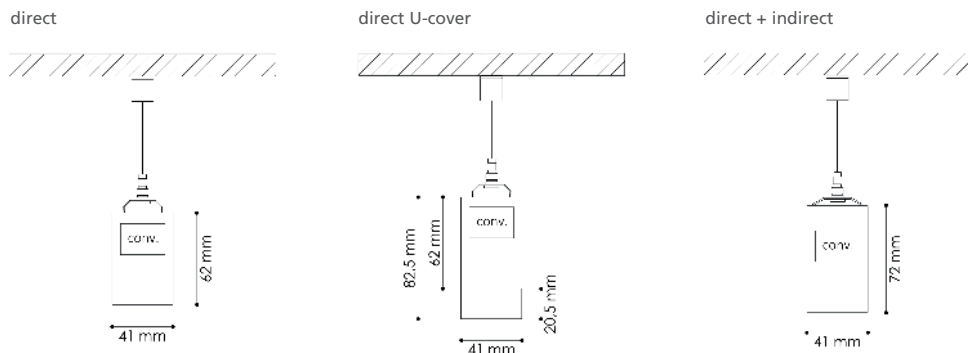
low output on/off	LO
low output DALI	LD
high output on/off	HO
high output DALI	HD

6 GEHÄUSEFARBE
 HOUSING COLOUR
 COULEUR DU BOÎTIER

silver RAL9006	SI
white RAL9016	WH
black RAL9005	BL

7 DIFFUSOR
 DIFFUSER
 DIFFUSEUR

opal	O
microprism	M
U-cover (direct only)	U

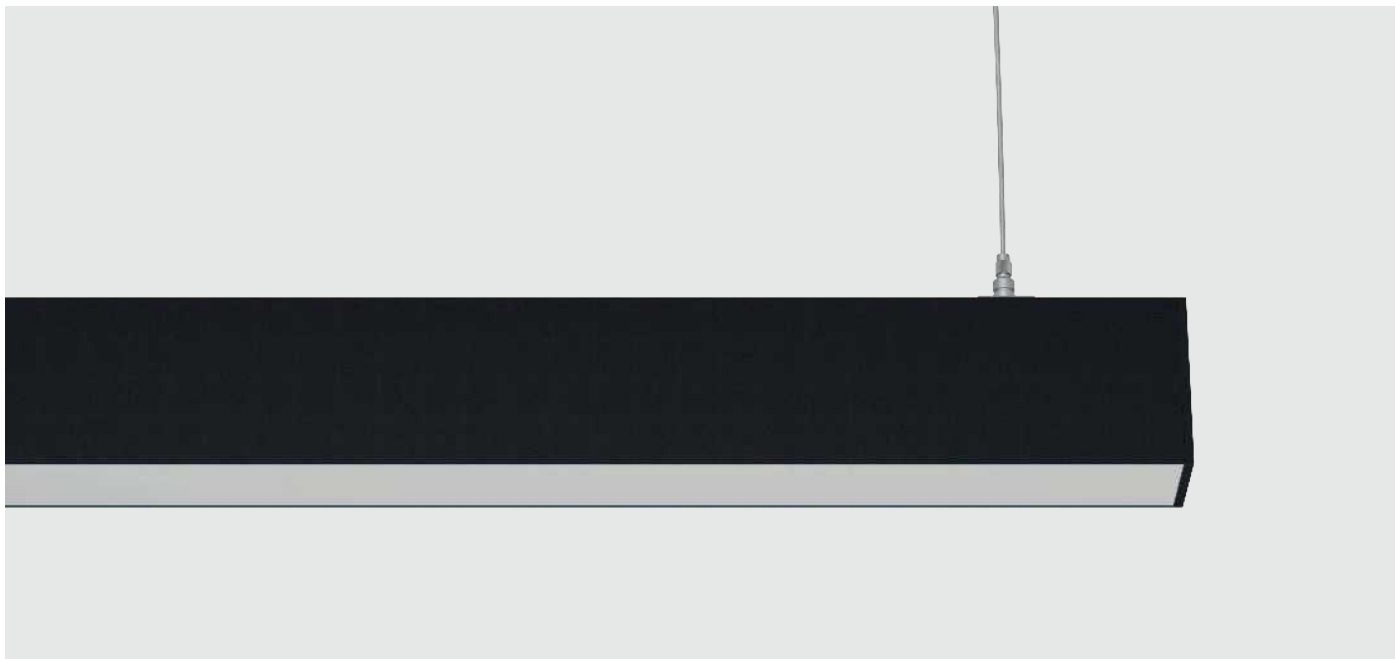


Size [mm]	opal direct		microprism direct		U-cover direct		opal direct + indirect		microprism direct + indirect		direct	direct + indirect
	low output [lm] / [W]	high output [lm] / [W]	low output [lm] / [W]	high output [lm] / [W]	low output [lm] / [W]	high output [lm] / [W]	low output [lm] / [W]	high output [lm] / [W]	low output [lm] / [W]	high output [lm] / [W]		
1.131	1.514 / 15	2.879 / 29	1.514 / 15	3.005 / 29	1.570 / 15	2.984 / 29	3.535 / 26	6.846 / 55	3.527 / 26	6.866 / 55	2,6	3,7
1.271	1.704 / 17	3.238 / 33	1.703 / 17	3.381 / 33	1.767 / 17	3.357 / 33	3.977 / 29	7.702 / 63	3.968 / 29	7.724 / 63	2,8	3,9
1.411	1.893 / 18	3.599 / 35	1.892 / 18	3.757 / 35	1.962 / 18	3.730 / 35	4.419 / 32	8.557 / 68	4.408 / 32	8.582 / 68	3,5	4,2
1.691	2.272 / 20	4.318 / 40	2.271 / 20	4.508 / 40	2.355 / 20	4.476 / 40	5.303 / 38	10.268 / 82	5.289 / 38	10.298 / 82	4,0	4,9
2.251	3.028 / 27	5.756 / 53	3.028 / 27	6.010 / 53	3.140 / 27	5.968 / 53	7.070 / 50	13.692 / 105	7.054 / 50	13.732 / 105	5,0	6,0
2.531	3.408 / 30	6.475 / 60	3.406 / 30	6.762 / 60	3.534 / 30	6.714 / 60	7.954 / 56	15.404 / 119	7.936 / 56	15.448 / 119	5,2	6,2
2.812	3.786 / 35	7.198 / 70	3.784 / 35	7.514 / 70	3.924 / 35	7.460 / 70	8.838 / 64	17.114 / 136	8.816 / 64	17.164 / 136	6,0	8,0
3.372	4.544 / 41	8.636 / 81	4.542 / 41	9.016 / 81	4.710 / 41	8.952 / 81	10.606 / 77	20.536 / 163	10.578 / 77	20.596 / 163	7,6	9,3
3.792	5.112 / 46	9.715 / 91	5.110 / 46	10.143 / 91	5.299 / 46	10.071 / 91	11.932 / 87	23.103 / 184	11.900 / 87	23.140 / 184	9,1	11,3

Alle Lumenangaben für 4000K, CRI>80, Microprisma ohne Opalfolie
 All lumen values for 4000K, CRI>80, microprism without opal foil
 Toutes les données de lumens pour 4000K, CRI>80, microprisme sans feuille opale

LINE50

HÄNGELEUCHE | PENDANT LUMINAIRE | LUMINAIRE SUSPENSION



LED-Hängeleuchte direktstrahlend oder direkt-indirektstrahlend. Lichtkanal aus Aluminium-Strangpressprofil mit einer Breite von 50 mm. Fertigung der Leuchtenlänge millimetergenau auf Kundenwunsch möglich. Oberfläche der Leuchte feinstruktur matt pulverbeschichtet ähnlich RAL 9016 weiß, RAL 9006 silber oder RAL 9005 schwarz – auf Anfrage in RAL nach Wahl. Diffusor wahlweise in PMMA opal, PMMA klar mit eingeschobener asymmetrischer Folie oder PMMA klar mit eingeschobener mikroprismatischer Platte für eine reduzierte Leuchtdichte (UGR<19). Leuchte inkl. weißem, rechteckigem Baldachin mit transparentem Einspeisekabel sowie flexiblen Seilabhängern und Schnellspannern zur stufenlosen Regulierung der Montagehöhe. Der LED-Treiber ist im Leuchtgehäuse integriert – wahlweise als on/off oder DALI-Variante – Farbtemperaturen 2700K, 3000K, 4000K oder dynamisch Weiß (2700K–6500K) – Farbwiedergabe CRI>80 oder CRI>90 – Mac Adam ≤3. Weitere Steuerungsoptionen oder Lichtfarben auf Anfrage erhältlich. Außerdem ist die Integration vieler Komponenten, wie beispielsweise Notlicht oder Sensortechnologie, sowie eine Vielzahl weiterer Optionen möglich.

Pendant LED luminaire direct beam or direct-indirect beam. Light channel made of extruded aluminium profile with a width of 50 mm. Luminaire length can be manufactured to the exact millimetre on customer request. Surface of the luminaire fine structure matt powder coated similar to RAL 9016 white, RAL 9006 silver or RAL 9005 black - on request in RAL of choice. Diffuser either in PMMA opal, PMMA clear with inserted asymmetric foil or PMMA clear with inserted microprismatic plate for reduced luminance (UGR<19). Luminaire incl. white, rectangular canopy with transparent feeding cable as well as flexible cord suspensions and quick-release clamps for continuous adjustment of mounting height. The LED driver is integrated in the luminaire housing - either as on/off or DALI version - colour temperatures 2700K, 3000K, 4000K or dynamic white (2700K-6500K) - colour rendering CRI>80 or CRI>90 - Mac Adam ≤3. Further control options or light colours available on request. In addition, the integration of many components, such as emergency lighting or sensor technology, as well as a variety of other options is possible.

Suspension LED à éclairage direct ou direct-indirect. Canal lumineux en profilé d'aluminium extrudé d'une largeur de 50 mm. Fabrication de la longueur du luminaire au millimètre près possible sur demande du client. Surface du luminaire à structure fine, revêtement par poudre mat similaire à RAL 9016 blanc, RAL 9006 argent ou RAL 9005 noir - sur demande en RAL au choix. Diffusor au choix en PMMA opale, PMMA transparent avec feuille asymétrique insérée ou PMMA transparent avec plaque microprismatique insérée pour un éblouissement réduit (UGR<19). Luminaire comprenant un abat-jour rectangulaire blanc avec câble d'alimentation transparent ainsi que des câbles flexibles et des tenisseurs rapides permettant de régler la hauteur de montage en continu. Le pilote LED est intégré dans le boîtier du luminaire - au choix sous forme de variante on/off ou DALI - températures de couleur 2700K, 3000K, 4000K ou blanc dynamique (2700K-6500K) - rendu des couleurs CRI>80 ou CRI>90 - Mac Adam ≤3. Autres options de commande ou couleurs de lumière disponibles sur demande. En outre, l'intégration de nombreux composants, tels que l'éclairage de secours ou la technologie de détection, une multitude d'autres options sont possibles.

ÜBERSICHT | OVERVIEW | VUE D'ENSEMBLE

TECHNICAL DATA

2700K / 3000K / 4000K / 2700-6500K

CRI>80 / CRI>90

MacAdam ≤ 3

up to 141 lm/W, up to 6.268 lm/m

on-off / DALI

direct / direct + indirect

opal / microprism (UGR <19) / asymmetric

HOUSING COLOUR

schwarz | black | noir
RAL 9005



silber | silver | argent
RAL 9006



weiß | white | blanc
RAL 9016



RAL-Farbe nach Wahl auf Anfrage
RAL colour of your choice on demand
Couleur RAL de votre choix sur demande



LIFETIME

L80B10 50.000h

OPTIONS

emergency lighting

motion and day-light sensor

many more on demand



HÄNGELEUCHTE „LINE50“
 PENDANT LUMINAIRE “LINE50”
 LUMINAIRE SUSPENSION « LINE50 »

Bestellbeispiel | Example order | Exemple de commande
 3.134 mm, CRI>90, 4000K, direct + indirect, low output on/off, black, microprism

LI50H - 319402 - LOBLM

1 2 3 4 5 6 7

1 LÄNGE LENGTH LONGEUR	
1.212 mm	12
1.452 mm	14
1.692 mm	16
1.932 mm	19
2.172 mm	21
2.412 mm	24
2.892 mm	28
3.132 mm	31
3.854 mm	38

2 FARBWIEDERGABE COLOUR RENDERING RENDU DES COULEURS	
CRI>80	8
CRI>90	9

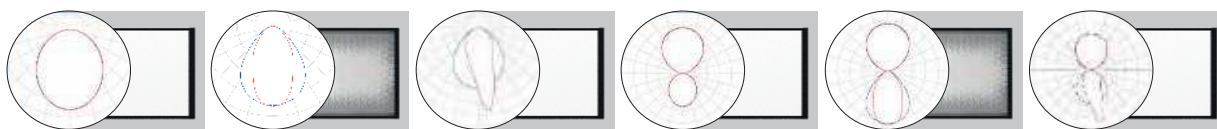
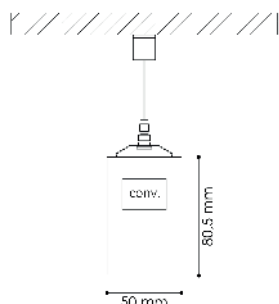
3 FARBTEMPERATUR COLOUR TEMPERATURE TEMPÉRATURE DE COULEUR	
2700K (CRI>90 only)	27
3000K	30
4000K	40
2700-6500K (CRI>90 only)	DW

4 LICHTVERTEILUNG LIGHT DISTRIBUTION DISTRIBUTION DE LA LUMIÈRE	
direct	1
direct + indirect	2

5 LEISTUNG & STEUERUNG OUTPUT & CONTROL SORTIE & CONTRÔLE	
low output on/off	LO
low output DALI	LD
high output on/off	HO
high output DALI	HD
dynamic white DALI DT8	DW

6 GEHÄUSEFARBE HOUSING COLOUR COULEUR DU BOÎTIER	
silver RAL9006	SI
white RAL9016	WH
black RAL9005	BL

7 DIFFUSOR DIFFUSER DIFFUSEUR	
opal	O
microprism	M
asymmetric	A



Size [mm]	opal direct		microprism direct		asymmetric direct		opal direct + indirect		microprism direct + indirect		asymmetric direct + indirect		direct KG	direct+indirect KG
	low output [lm] / [W]	high output [lm] / [W]	low output [lm] / [W]	high output [lm] / [W]	low output [lm] / [W]	high output [lm] / [W]	low output [lm] / [W]	high output [lm] / [W]	low output [lm] / [W]	high output [lm] / [W]	low output [lm] / [W]	high output [lm] / [W]		
1.212	1.731 / 16,3	3.298 / 30	1.652 / 16,3	3.162 / 30	1.735 / 16,3	3.320 / 30	3.924 / 29,1	7.522 / 57	3.845 / 29,1	7.336 / 57	4.037 / 29,1	7.702 / 57	2,9	3,6
1.452	2.078 / 18,5	3.958 / 35,8	1.982 / 18,5	3.794 / 35,8	2.081 / 18,5	3.984 / 35,8	4.709 / 34,5	9.026 / 68	4.615 / 34,5	8.803 / 68	4.846 / 34,5	9.243 / 68	3,5	4,4
1.692	2.425 / 21,2	4.617 / 41,1	2.313 / 21,2	4.427 / 41,1	2.429 / 21,2	4.648 / 41,1	5.494 / 39,5	10.531 / 81	5.384 / 39,5	10.270 / 81	5.653 / 39,5	10.783 / 81	4,1	5,1
1.932	2.772 / 23,7	5.277 / 46,3	2.642 / 23,7	5.059 / 46,3	2.774 / 23,7	5.312 / 46,3	6.278 / 44,6	12.035 / 92	6.154 / 44,6	11.738 / 92	6.462 / 44,6	12.325 / 92	4,6	5,8
2.172	3.117 / 26,6	5.936 / 52	2.974 / 26,6	5.692 / 52	3.123 / 26,6	5.977 / 52	7.063 / 49,9	13.540 / 103	6.923 / 49,9	13.205 / 103	7.269 / 49,9	13.865 / 103	5,2	6,5
2.412	3.462 / 29,2	6.596 / 57	3.304 / 29,2	6.324 / 57	3.469 / 29,2	6.640 / 57	7.848 / 56	15.044 / 113	7.690 / 56	14.672 / 113	8.074 / 56	15.405 / 113	5,8	7,2
2.892	4.156 / 34,3	7.915 / 70	3.964 / 34,3	7.589 / 70	4.162 / 34,3	7.968 / 70	9.418 / 67	18.053 / 135	9.230 / 67	17.606 / 135	9.691 / 67	18.486 / 135	7	8,7
3.132	4.503 / 36,9	8.575 / 76	4.295 / 36,9	8.221 / 76	4.510 / 36,9	8.632 / 76	10.202 / 72	19.557 / 145	9.999 / 72	19.074 / 145	10.499 / 72	20.027 / 145	7,5	9,4
3.854	5.544 / 47,4	10.554 / 93	5.284 / 47,4	10.118 / 93	5.548 / 47,4	10.624 / 93	12.556 / 89	24.070 / 183	12.308 / 89	23.476 / 183	12.923 / 89	24.649 / 183	9,3	11,7

Alle Lumenangaben für 4000K, CRI>80, Microprisma ohne Opalfolie
 All lumen values for 4000K, CRI>80, microprism without opal foil
 Toutes les données de lumens pour 4000K, CRI>80, microprisme sans feuille opale

LINE50hex

HÄNGELEUCHTE | PENDANT LUMINAIRE | LUMINAIRE SUSPENSION







LED-Hängeleuchte direktstrahlend oder direkt-indirektstrahlend. Lichtkanal aus Aluminium-Strangpressprofil mit einer Breite von 50 mm. Leuchte in hexagonaler Form mit verschweißten Ecken – Lieferung der drei Standardgrößen komplett in einem Stück (DM 1306 mm), in zwei Teilen (DM 2028 mm) bzw. sechs gleich großen Teilen (DM 2988 mm). Oberfläche der Leuchte feinstruktur matt pulverbeschichtet ähnlich RAL 9016 weiß, RAL 9006 silber oder RAL 9005 schwarz – auf Anfrage in RAL nach Wahl. Diffusor wahlweise in PMMA opal oder PMMA klar mit eingeschobener mikroprismatischer Platte für eine reduzierte Leuchtdichte (UGR<19). Leuchte inkl. weißem, rechteckigem Baldachin mit transparentem Einspeisekabel sowie flexiblen Seilabhängern und Schnellspannern zur stufenlosen Regulierung der Montagehöhe. Der LED-Treiber ist im Leuchtgehäuse integriert – wahlweise als on/off oder DALI-Variante. Farbtemperaturen 2700K, 3000K, 4000K oder dynamisch Weiß (2700K–6500K) – Farbwiedergabe CRI>80 oder CRI>90 – Mac Adam ≤3. Weitere Steuerungsoptionen oder Lichtfarben auf Anfrage erhältlich. Außerdem ist die Integration vieler Komponenten, wie beispielsweise Notlicht oder Sensortechnologie, sowie eine Vielzahl weiterer Optionen möglich.

Pendant LED luminaire direct beam or direct-indirect beam. Light channel made of extruded aluminium profile with a width of 50 mm. Luminaire in hexagonal form with welded corners - delivery of the three standard sizes in one piece (DM 1306 mm), in two pieces (DM 2028 mm) or six equally sized pieces (DM 2988 mm). Surface of the luminaire fine structure matt powder coated similar to RAL 9016 white, RAL 9006 silver or RAL 9005 black - on request in RAL of choice. Diffuser either in PMMA opal or PMMA clear with inserted microprismatic plate for reduced luminance (UGR<19). Luminaire incl. white, rectangular canopy with transparent feeding cable as well as flexible cord suspensions and quick-release clamps for continuous adjustment of mounting height. The LED driver is integrated in the luminaire housing - either as on/off or DALI version. Colour temperatures 2700K, 3000K, 4000K or dynamic white (2700K-6500K) - colour rendering CRI>80 or CRI>90 - Mac Adam ≤3. Further control options or light colours available on request. In addition, the integration of many components, such as emergency lighting or sensor technology, as well as a variety of other options is possible.

Suspension LED à éclairage direct ou direct-indirect. Canal lumineux en profilé d'aluminium extrudé d'une largeur de 50 mm. Luminaire de forme hexagonale avec coins soudés - livraison des trois tailles standard complètes en une pièce (DM 1306 mm), en deux pièces (DM 2028 mm) ou en six pièces de taille identique (DM 2988 mm). Surface du luminaire à structure fine matte revêtue par poudre similaire à RAL 9016 blanc, RAL 9006 argent ou RAL 9005 noir - sur demande en RAL au choix. Diffuseur au choix en PMMA opale ou en PMMA transparent avec plaque microprismatique insérée pour un éblouissement réduit (UGR<19). Luminaire rectangulaire blanc avec câble d'alimentation transparent ainsi que des câbles flexibles et des tendeurs rapides permettant de régler la hauteur de montage en continu. Le pilote LED est intégré dans le boîtier du luminaire - au choix sous forme de variante on/off ou DALI. Températures de couleur 2700K, 3000K, 4000K ou blanc dynamique (2700K-6500K) - Rendu des couleurs CRI>80 ou CRI>90 - Mac Adam ≤3. Autres options de commande ou couleurs de lumière disponibles sur demande. En outre, l'intégration de nombreux composants, tels que l'éclairage de secours ou la technologie des capteurs, une multitude d'autres options sont possibles.

ÜBERSICHT | OVERVIEW | VUE D'ENSEMBLE

TECHNICAL DATA	
2700K / 3000K / 4000K / 2700-6500K	
CRI>80 / CRI>90	
MacAdam ≤ 3	
up to 141 lm/W, up to 6.268 lm/m	
on-off / DALI	
direct / direct + indirect	
opal / microprism (UGR <19)	
HOUSING COLOUR	
schwarz black noir RAL 9005	
silber silver argent RAL 9006	
weiß white blanc RAL 9016	
RAL-Farbe nach Wahl auf Anfrage RAL colour of your choice on demand Couleur RAL de votre choix sur demande	

LIFETIME
L80B10 50.000h

OPTIONS
emergency lighting
motion and day-light sensor
many more on demand

 LED	 CRI	 CRI	 IP20	 DALI	 SDCM	
	>80	>90	IP20	DALI	≤3	>50.000 h

HÄNGELEUCHTE „LINE50hex“
 PENDANT LUMINAIRE “LINE50hex”
 LUMINAIRE SUSPENSION « LINE50hex »

Bestellbeispiel | Example order | Exemple de commande
 2.988 mm, CRI>90, 4000K, direct + indirect, low output on/off, black, microprism

LH50H - 299402 - LOBLM

1 2 3 4 5 6 7

1 GRÖSSE
 SIZE
 TAILLE

1.306 mm	13
2.028 mm	20
2.988 mm	29

2 FARBWIEDERGABE
 COLOUR RENDERING
 RENDU DES COULEURS

CRI>80	8
CRI>90	9

3 FARBTEMPERATUR
 COLOUR TEMPERATURE
 TEMPÉRATURE DE COULEUR

2700K (CRI>90 only)	27
3000K	30
4000K	40
2700-6500K (CRI>90 only)	DW

4 LICHTVERTEILUNG
 LIGHT DISTRIBUTION
 DISTRIBUTION DE LA LUMIÈRE

direct	1
direct + indirect	2

5 LEISTUNG & STEUERUNG
 OUTPUT & CONTROL
 SORTIE & CONTRÔLE

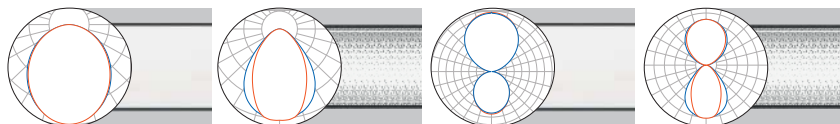
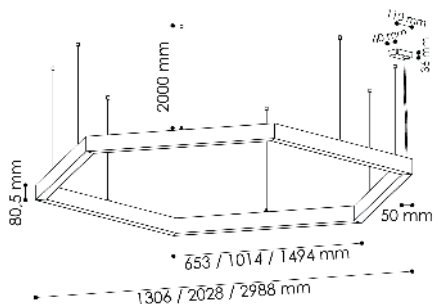
low output on/off	LO
low output DALI	LD
high output on/off	HO
high output DALI	HD
dynamic white DALI DT8	DW

6 GEHÄUSEFARBE
 HOUSING COLOUR
 COULEUR DU BOÎTIER

silver RAL9006	SI
white RAL9016	WH
black RAL9005	BL

7 DIFFUSOR
 DIFFUSER
 DIFFUSEUR

opal	O
microprism	M

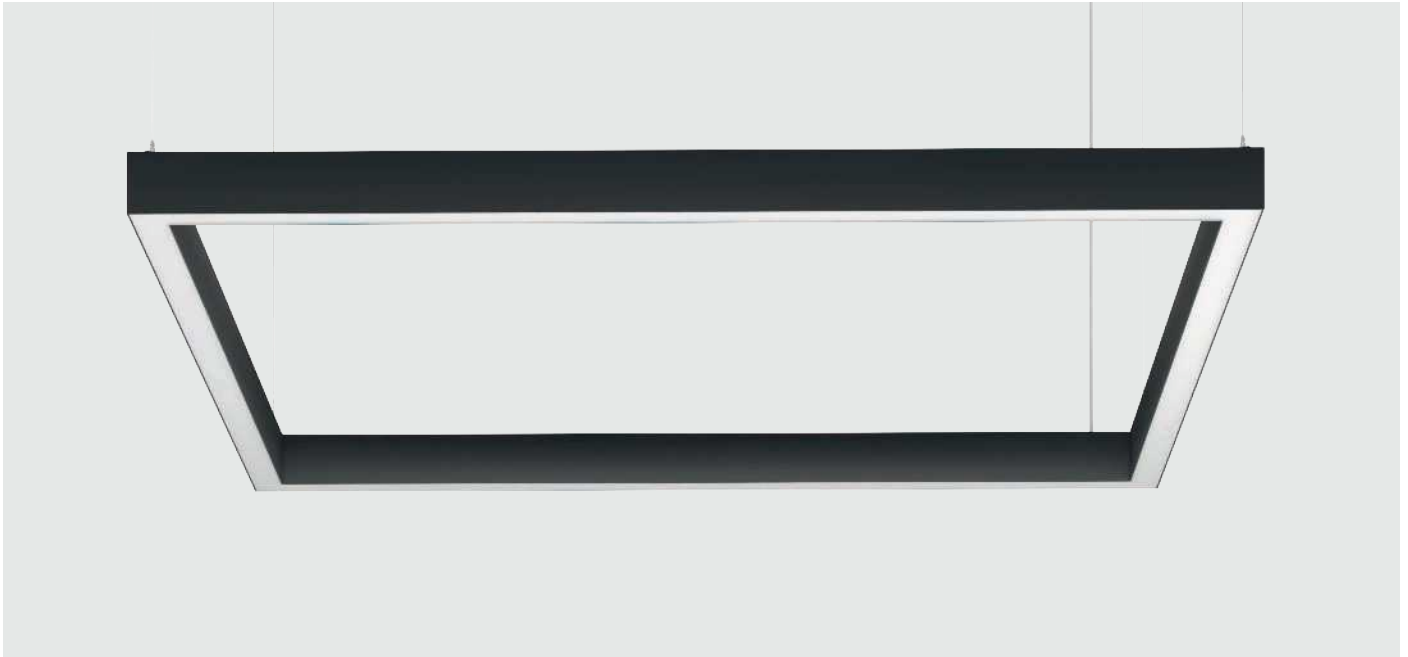


Size [mm]	opal direct		microprism direct		opal direct + indirect		microprism direct + indirect		direct	direct + indirect
	low output [lm] / [W]	high output [lm] / [W]	low output [lm] / [W]	high output [lm] / [W]	low output [lm] / [W]	high output [lm] / [W]	low output [lm] / [W]	high output [lm] / [W]	KG	KG
1.306	5.196 / 44,9	9.894 / 87,7	4.956 / 44,9	9.486 / 87,7	11.772 / 89,8	22.566 / 175,4	11.538 / 89,8	22.008 / 175,4	9,0	10,8
2.028	8.316 / 67	15.828 / 134,8	7.926 / 67	15.180 / 134,8	18.834 / 130,6	36.108 / 266,2	18.462 / 130,6	35.214 / 266,2	14,0	18,0
2.988	12.468 / 99,8	23.748 / 206	11.892 / 99,8	22.764 / 206	28.254 / 195,9	54.156 / 399,3	27.690 / 195,9	52.818 / 399,3	21,0	26,4

Alle Lumenangaben für 4000K, CRI>80, Microprisma ohne Opalfolie
 All lumen values for 4000K, CRI>80, microprism without opal foil
 Toutes les données de lumens pour 4000K, CRI>80, microprisme sans feuille opale

LINE50quad

HÄNGELEUCHE | PENDANT LUMINAIRE | LUMINAIRE SUSPENSION



LED-Hängeleuchte direktstrahlend oder direkt-indirektstrahlend. Lichtkanal aus Aluminium-Strangpressprofil mit einer Breite von 50 mm. Leuchte in quadratischer Form mit verschweißten Ecken – Lieferung der drei Standardgrößen komplett in einem Stück (660, 1020 mm) bzw. in zwei Teilen (1500 mm). Oberfläche der Leuchte feinstruktur matt pulverbeschichtet ähnlich RAL 9016 weiß, RAL 9006 silber oder RAL 9005 schwarz – auf Anfrage in RAL nach Wahl. Diffusor wahlweise in PMMA opal oder PMMA klar mit eingeschobener mikroprismatischer Platte für eine reduzierte Leuchtdichte (UGR<19). Leuchte inkl. weißem, rechteckigem Baldachin mit transparentem Einspeisekabel sowie flexiblen Seilabhängern und Schnellspannern zur stufenlosen Regulierung der Montagehöhe. Der LED-Treiber ist im Leuchtgehäuse integriert – wahlweise als on/off oder DALI-Variante – Farbtemperaturen 2700K, 3000K, 4000K oder dynamisch Weiß (2700K–6500K) – Farbwiedergabe CRI>80 oder CRI>90 – Mac Adam ≤3. Weitere Steuerungsoptionen oder Lichtfarben auf Anfrage erhältlich. Außerdem ist die Integration vieler Komponenten, wie beispielsweise Notlicht oder Sensortechnologie, sowie eine Vielzahl weiterer Optionen möglich.

Pendant LED luminaire direct beam or direct-indirect beam. Light channel made of extruded aluminium profile with a width of 50 mm. Luminaire in square shape with welded corners - delivery of the three standard sizes in one piece (660, 1020 mm) or in two pieces (1500 mm). Surface of the luminaire fine structure matt powder coated similar to RAL 9016 white, RAL 9006 silver or RAL 9005 black - on request in RAL of choice. Diffuser either in PMMA opal or PMMA clear with inserted microprismatic plate for reduced luminance (UGR<19). Luminaire incl. white, rectangular canopy with transparent feeding cable as well as flexible wire suspensions and quick-release fasteners for stepless adjustment of mounting height. The LED driver is integrated in the luminaire housing - either as on/off or DALI version - colour temperatures 2700K, 3000K, 4000K or dynamic white (2700K-6500K) - colour rendering CRI>80 or CRI>90 - Mac Adam ≤3. Further control options or light colours available on request. In addition, the integration of many components, such as emergency lighting or sensor technology, as well as a variety of other options is possible.

Suspension LED à éclairage direct ou direct-indirect. Canal lumineux en profilé d'aluminium extrudé d'une largeur de 50 mm. Luminaire de forme carrée avec coins soudés - livraison des trois tailles standard complètes en une pièce (660, 1020 mm) ou en deux pièces (1500 mm). Surface du luminaire à structure entièrement en une seule pièce. Surface du luminaire à structure fine matte revêtue par poudre similaire à RAL 9016 blanc, RAL 9006 argent ou RAL 9005 noir - sur demande en RAL au choix. Diffuseur au choix en PMMA opale ou en PMMA transparent avec plaque microprismatique insérée pour un éblouissement réduit (UGR<19). Luminaire avec rosace rectangulaire blanche, câble d'alimentation transparent, de câbles flexibles et tendeurs rapides permettant de régler la hauteur de montage en continu. Le pilote LED est intégré dans le boîtier du luminaire - au choix sous forme de variante on/off ou DALI - températures de couleur 2700K, 3000K, 4000K ou blanc dynamique (2700K-6500K) - rendu des couleurs CRI>80 ou CRI>90 - Mac Adam ≤3. Autres options de commande ou couleurs de lumière disponibles sur demande. En outre, l'intégration de nombreux composants, tels que l'éclairage de secours ou la technologie des capteurs, une multitude d'autres options sont possibles.

ÜBERSICHT | OVERVIEW | VUE D'ENSEMBLE

TECHNICAL DATA

2700K / 3000K / 4000K / 2700-6500K

CRI>80 / CRI>90

MacAdam ≤ 3

up to 141 lm/W, up to 6.268 lm/m

on-off / DALI

direct / direct + indirect

opal / microprism (UGR <19)

HOUSING COLOUR

schwarz | black | noir
RAL 9005

silber | silver | argent
RAL 9006

weiß | white | blanc
RAL 9016

RAL-Farbe nach Wahl auf Anfrage
RAL colour of your choice on demand
Couleur RAL de votre choix sur demande

LIFETIME

L80B10 50.000h

OPTIONS

emergency lighting

motion and day-light sensor

many more on demand



>80

>90

IP20

DALI

≤3

>50.000 h

HÄNGELEUCHTE „LINE50quad“
 PENDANT LUMINAIRE “LINE50quad”
 LUMINAIRE SUSPENSION « LINE50quad »

Bestellbeispiel | Example order | Exemple de commande
 660 x 660 mm, CRI>90, 4000K, direct + indirect, low output on/off, black, microprism

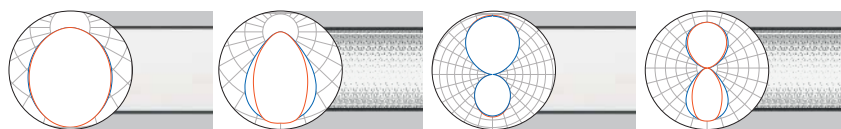
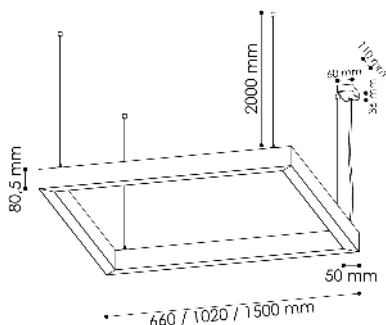
LQ50H - 069402 - LOBLM

1 2 3 4 5 6 7

1	GRÖSSE SIZE TAILLE	
	660 x 660 mm	06
	1.020 x 1.020 mm	10
	1.500 x 1.500 mm	15
2	FARBWIEDERGABE COLOUR RENDERING RENDU DES COULEURS	
	CRI>80	8
	CRI>90	9
3	FARBTEMPERATUR COLOUR TEMPERATURE TEMPÉRATURE DE COULEUR	
	2700K (CRI>90 only)	27
	3000K	30
	4000K	40
	2700-6500K (CRI>90 only)	DW

4	LICHTVERTEILUNG LIGHT DISTRIBUTION DISTRIBUTION DE LA LUMIÈRE	
	direct	1
	direct + indirect	2
5	LEISTUNG & STEUERUNG OUTPUT & CONTROL SORTIE & CONTRÔLE	
	low output on/off	LO
	low output DALI	LD
	high output on/off	HO
	high output DALI	HD
	dynamic white DALI DT8	DW

6	GEHÄUSEFARBE HOUSING COLOUR COULEUR DU BOÎTIER	
	silver RAL9006	SI
	white RAL9016	WH
	black RAL9005	BL
7	DIFFUSOR DIFFUSER DIFFUSEUR	
	opal	O
	microprism	M



Size [mm]	opal direct		microprism direct		opal direct + indirect		microprism direct + indirect		direct	direct + indirect
	low output [lm] / [W]	high output [lm] / [W]	low output [lm] / [W]	high output [lm] / [W]	low output [lm] / [W]	high output [lm] / [W]	low output [lm] / [W]	high output [lm] / [W]	KG	KG
□ 660	3.464 / 29,1	6.596 / 57,2	3.304 / 29,1	6.324 / 57,2	7.848 / 54,3	15.044 / 111,4	7.692 / 54,3	14.672 / 111,4	6,0	7,2
□ 1.020	5.544 / 44,6	10.552 / 91,7	5.284 / 44,6	10.120 / 91,7	12.556 / 85,8	24.072 / 180	12.308 / 85,8	23.476 / 180	9,2	12,0
□ 1.500	8.312 / 67	15.832 / 134,8	7.928 / 67	15.176 / 134,8	18.836 / 130,6	36.104 / 266,2	18.460 / 130,6	35.212 / 266,2	14,0	17,6

Alle Lumenangaben für 4000K, CRI>80, Microprisma ohne Opalfolie
 All lumen values for 4000K, CRI>80, microprism without opal foil
 Toutes les données de lumens pour 4000K, CRI>80, microprisme sans feuille opale

officeLINE50

HÄNGELEUCHTE | PENDANT LUMINAIRE | LUMINAIRE SUSPENSION



LED-Hängeleuchte direktstrahlend oder direkt-indirektstrahlend. Lichtkanal aus Aluminium-Strangpressprofil mit einer Breite von 50 mm. Fertigung der Leuchtenlänge millimetergenau auf Kundenwunsch möglich. Oberfläche der Leuchte feinstruktur matt pulverbeschichtet ähnlich RAL 9016 weiß, RAL 9006 silber oder RAL 9005 schwarz – auf Anfrage in RAL nach Wahl. Die Leuchte ist ausgestattet mit einem hochwertigen, facettierten BAP-Raster mit einer Auswahl an sieben verschiedenen Farben – Oberfläche hochglänzend bzw. matt. Leuchte inkl. weißem, rechteckigem Baldachin mit transparentem Einspeisekabel sowie flexiblen Seilabhängern und Schnellspannern zur stufenlosen Regulierung der Montagehöhe. Der LED-Treiber ist im Leuchtgehäuse integriert – wahlweise als on/off oder DALI-Variante. Farbtemperaturen 2700K, 3000K, 4000K oder dynamisch Weiß (2700K–6500K) – Farbwiedergabe CRI>80 oder CRI>90 – Mac Adam ≤3. Weitere Steuerungsoptionen oder Lichtfarben auf Anfrage erhältlich. Außerdem ist die Integration vieler Komponenten, wie beispielsweise Notlicht oder Sensortechnologie, sowie eine Vielzahl weiterer Optionen möglich.

Pendant LED luminaire with direct beam or direct-indirect beam. Light channel made of extruded aluminium profile with a width of 50 mm. Luminaire length can be manufactured to the exact millimetre on customer request. Surface of the luminaire fine structure matt powder coated similar to RAL 9016 white, RAL 9006 silver or RAL 9005 black - on request in RAL of choice. The luminaire is equipped with a high-quality, faceted BAP louvre with a choice of seven different colours - surface specular or matt. Luminaire incl. white, rectangular canopy with transparent feeding cable as well as flexible wire suspension and quick-release clamps for continuous adjustment of mounting height. The LED driver is integrated in the luminaire housing - either as on/off or DALI version. Colour temperatures 2700K, 3000K, 4000K or dynamic white (2700K-6500K) - colour rendering CRI>80 or CRI>90 - Mac Adam ≤3. Further control options or light colours available on request. In addition, the integration of many components, such as emergency lighting or sensor technology, as well as a variety of other options is possible.

Suspension LED à éclairage direct ou direct-indirect. Canal luminaire en profilé d'aluminium extrudé d'une largeur de 50 mm. Fabrication de la longueur du luminaire au millimètre près possible sur demande du client. Surface du luminaire à structure fine, revêtement par poudre mat similaire à RAL 9016 blanc, RAL 9006 argent ou RAL 9005 noir - sur demande en RAL au choix. Le luminaire est équipé d'une grille BAP à facettes de haute qualité avec un choix de sept couleurs différentes - surface brillante ou mate. Le luminaire rectangulaire blanc avec un câble d'alimentation transparent ainsi que des câbles flexibles et des fixations rapides permettant de régler la hauteur de montage en continu. Le pilote LED est intégré dans le boîtier du luminaire - au choix sous forme de variante on/off ou DALI. Températures de couleur 2700K, 3000K, 4000K ou blanc dynamique (2700K-6500K) - Rendu des couleurs CRI>80 ou CRI>90 - Mac Adam ≤3. Autres options de commande ou couleurs de lumière disponibles sur demande. En outre, l'intégration de nombreux composants, tels que l'éclairage de secours ou la technologie de détection, une multitude d'autres options sont possibles.

ÜBERSICHT | OVERVIEW | VUE D'ENSEMBLE

TECHNICAL DATA

2700K / 3000K / 4000K / 2700-6500K

CRI>80 / CRI>90

MacAdam ≤ 3

up to 162 lm/W, up to 7.543 lm/m

on-off / DALI

direct / direct + indirect

BAP-Louvre (UGR <19)

LIFETIME

L80B10 50.000h

OPTIONS

emergency lighting

motion and day-light sensor

many more on demand



>80

>90

IP20

DALI

≤3

>50.000 h

HOUSING COLOUR

schwarz | black | noir
RAL 9005



silber | silver | argent
RAL 9006



weiß | white | blanc
RAL 9016



RAL-Farbe nach Wahl auf Anfrage
RAL colour of your choice on demand
Couleur RAL de votre choix sur demande



BAP LOUVRE COLOUR

silber hochglanz | silver specular | argenté brillant



gold hochglanz | gold specular | doré brillant



silber matt | silver matt | argenté mat



bronze hochglanz | bronze specular | bronze brillant



schwarz hochglanz | black specular | noir brillant



titan hochglanz | titan specular | titan brillant



schwarz matt | black matt | noir mat



HÄNGELEUCHTE „officeLINE50“
 PENDANT LUMINAIRE “officeLINE50”
 LUMINAIRE SUSPENSION « officeLINE50 »

Bestellbeispiel | Example order | Exemple de commande
 3.370 mm, CRI>90, 4000K, direct + indirect, low output on/off, black, gold specular

OL50H - 319402 - LOBLG

1 2 3 4 5 6 7

1 LÄNGE
 LENGTH
 LONGEUR

1.209 mm	12
1.449 mm	14
1.689 mm	16
2.169 mm	21
2.889 mm	28
3.370 mm	33

2 FARBWIEDERGABE
 COLOUR RENDERING
 RENDU DES COULEURS

CRI>80	8
CRI>90	9

3 FARBTEMPERATUR
 COLOUR TEMPERATURE
 TEMPÉRATURE DE COULEUR

2700K (CRI>90 only)	27
3000K	30
4000K	40
2700-6500K (CRI>90 only)	DW

4 LICHTVERTEILUNG
 LIGHT DISTRIBUTION
 DISTRIBUTION DE LA LUMIÈRE

direct	1
direct + indirect	2

5 LEISTUNG & STEUERUNG
 OUTPUT & CONTROL
 SORTIE & CONTRÔLE

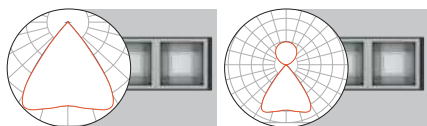
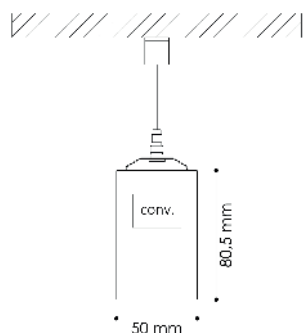
low output on/off	LO
low output DALI	LD
high output on/off	HO
high output DALI	HD
dynamic white DALI DT8	DW

6 GEHÄUSEFARBE
 HOUSING COLOUR
 COULEUR DU BOÎTIER

silver RAL9006	SI
white RAL9016	WH
black RAL9005	BL

7 BAP-RASTER FARBE
 BAP LOUVRE COLOUR
 GRILLE BAP COULEUR

silver specular	S
silver matt	M
black specular	N
black matt	B
gold specular	G
bronze specular	C
titan specular	T



Size [mm]	direct		direct + indirect		direct KG	direct + indirect KG
	low output [lm] / [W]	high output [lm] / [W]	low output [lm] / [W]	high output [lm] / [W]		
1.209	2.765 / 20,5	5.160 / 39,4	4.673 / 32,6	8.863 / 66,9	3,2	3,3
1.449	3.318 / 24	6.192 / 46,5	5.608 / 38,3	10.636 / 79,8	3,8	3,9
1.689	3.871 / 27,6	7.224 / 53,8	6.542 / 45,5	12.408 / 92,2	4,3	4,5
2.169	4.977 / 34,6	9.288 / 67,7	8.411 / 57,7	15.953 / 118,1	5,1	5,3
2.889	6.636 / 44,8	12.384 / 88,9	11.215 / 78,7	21.271 / 156,3	6,5	6,8
3.370	7.742 / 55,2	14.448 / 107,6	13.084 / 91	24.816 / 184,4	8,0	8,2

Alle Lumenangaben für 4000K, CRI>80, Reflektor silber hochglanz
 All lumen values for 4000K, CRI>80, reflector silver specular
 Toutes les données de lumens pour 4000K, CRI>80, réflecteur argenté brillant

officeLINE50

HÄNGELEUCHE MIT SENSOR | PENDANT LUMINAIRE WITH SENSOR | LUMINAIRE SUSPENDU AVEC CAPTEUR



LED-Hängeleuchte direktstrahlend oder direkt-indirektstrahlend. Lichtkanal aus Aluminium-Strangpressprofil mit einer Breite von 50 mm. Fertigung der Leuchtenlänge millimetergenau auf Kundenwunsch möglich. Oberfläche der Leuchte feinstruktur matt pulverbeschichtet ähnlich RAL 9016 weiß, RAL 9006 silber oder RAL 9005 schwarz – auf Anfrage in RAL nach Wahl. Die Leuchte ist ausgestattet mit einem hochwertigen, facettierten BAP-Raster mit einer Auswahl an sieben verschiedenen Farben – Oberfläche hochglänzend bzw. matt. Leuchte inkl. weißem, rechteckigem Baldachin mit transparentem Einspeisekabel sowie flexiblen Seilabhängern und Schnellspannern zur stufenlosen Regulierung der Montagehöhe. Der LED-Treiber ist im Leuchtengehäuse integriert. Farbtemperaturen 2700K, 3000K, 4000K oder dynamisch Weiß (2700K–6500K) – Farbwiedergabe CRI>80 oder CRI>90 – Mac Adam ≤3. Leuchte inkl. Bewegungs- und Tageslichtsensor – zusätzliche Farbregelung bei der dynamisch Weiß Variante – Sensor eingebaut in 240 mm langer Blindabdeckung. Weitere Steuerungsoptionen oder Lichtfarben auf Anfrage erhältlich. Außerdem ist die Integration vieler Komponenten, wie beispielsweise Notlicht, sowie eine Vielzahl weiterer Optionen möglich.

Pendant LED luminaire with direct beam or direct-indirect beam. Light channel made of extruded aluminium profile with a width of 50 mm. Luminaire length can be manufactured to the exact millimetre on customer request. Surface of the luminaire fine structure matt powder coated similar to RAL 9016 white, RAL 9006 silver or RAL 9005 black - on request in RAL of choice. The luminaire is equipped with a high-quality, faceted BAP louvre with a choice of seven different colours - surface specular or matt. Luminaire incl. white, rectangular canopy with transparent feeding cable as well as flexible wire suspension and quick-release clamps for continuous adjustment of mounting height. The LED driver is integrated in the luminaire housing - either as on/off or DALI version. Colour temperatures 2700K, 3000K, 4000K or dynamic white (2700K-6500K) - colour rendering CRI>80 or CRI>90 - Mac Adam ≤3. Luminaire incl. motion and daylight sensor - additional colour control for dynamic white version - sensor built into 240 mm long blind cover. Further control options or light colours available on request. In addition, the integration of many components, such as emergency lighting or sensor technology, as well as a variety of other options is possible.

Suspension LED à éclairage direct ou direct-indirect. Canal lumineux en profilé d'aluminium extrudé d'une largeur de 50 mm. Fabrication de la longueur du luminaire au millimètre près possible sur demande du client. Surface du luminaire à structure fine, revêtement par poudre mat similaire à RAL 9016 blanc, RAL 9006 argent ou RAL 9005 noir - sur demande en RAL au choix. Le luminaire est équipé d'une grille BAP à facettes de haute qualité avec un choix de sept couleurs différentes - surface brillante ou mate. Le luminaire rectangulaire blanc avec un câble d'alimentation transparent ainsi que des câbles flexibles et des fixations rapides permettant de régler la hauteur de montage en continu. Le pilote LED est intégré dans le boîtier du luminaire - au choix sous forme de variante on/off ou DALI. Températures de couleur 2700K, 3000K, 4000K ou blanc dynamique (2700K-6500K) - Rendu des couleurs CRI>80 ou CRI>90 - Mac Adam ≤3. Luminaire avec capteur de mouvement et de lumière du jour - réglage supplémentaire de la couleur pour la version blanc dynamique - capteur intégré dans un cache de 240 mm de long. Autres options de commande ou couleurs de lumière disponibles sur demande. En outre, l'intégration de nombreux composants, tels que l'éclairage de secours ou la technologie de détection, une multitude d'autres options sont possibles.

ÜBERSICHT | OVERVIEW | VUE D'ENSEMBLE

TECHNICAL DATA

2700K / 3000K / 4000K / 2700-6500K

CRI>80 / CRI>90

MacAdam ≤ 3

up to 162 lm/W, up to 7.543 lm/m

DALI Sensor

direct / direct + indirect

BAP-Louvre (UGR <19)

LIFETIME

L80B10 50.000h

OPTIONS

emergency lighting

many more on demand



HOUSING COLOUR

schwarz | black | noir
RAL 9005

silber | silver | argent
RAL 9006

weiß | white | blanc
RAL 9016

RAL-Farbe nach Wahl auf Anfrage
RAL colour of your choice on demand
Couleur RAL de votre choix sur demande

BAP LOUVRE COLOUR

silber hochglanz | silver specular | argenté brillant

silber matt | silver matt | argenté mat

schwarz hochglanz | black specular | noir brillant

schwarz matt | black matt | noir mat

gold hochglanz | gold specular | doré brillant

bronze hochglanz | bronze specular | bronze brillant

titan hochglanz | titan specular | titan brillant

HÄNGELEUCHTE MIT SENSOR „officeLINE50“
 PENDANT LUMINAIRE WITH SENSOR "officeLINE50"
 LUMINAIRE SUSPENDOU AVEC CAPTEUR « officeLINE50 »

Bestellbeispiel | Example order | Exemple de commande
 1.449 mm, CRI>90, 4000K, direct + indirect, low output sensor, black, gold specular

OL50H - 149402 - LSBLG

1 2 3 4 5 6 7

1 LÄNGE
 LENGTH
 LONGEUR

1.449 mm	14
1.689 mm	16
1.929 mm	19

2 FARBWIEDERGABE
 COLOUR RENDERING
 RENDU DES COULEURS

CRI>80	8
CRI>90	9

3 FARBTEMPERATUR
 COLOUR TEMPERATURE
 TEMPÉRATURE DE COULEUR

2700K (CRI>90 only)	27
3000K	30
4000K	40
2700-6500K (CRI>90 only)	DW

4 LICHTVERTEILUNG
 LIGHT DISTRIBUTION
 DISTRIBUTION DE LA LUMIÈRE

direct	1
direct + indirect	2

5 LEISTUNG & STEUERUNG
 OUTPUT & CONTROL
 SORTIE & CONTRÔLE

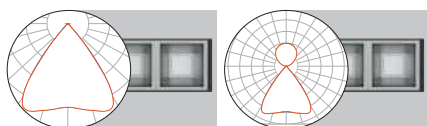
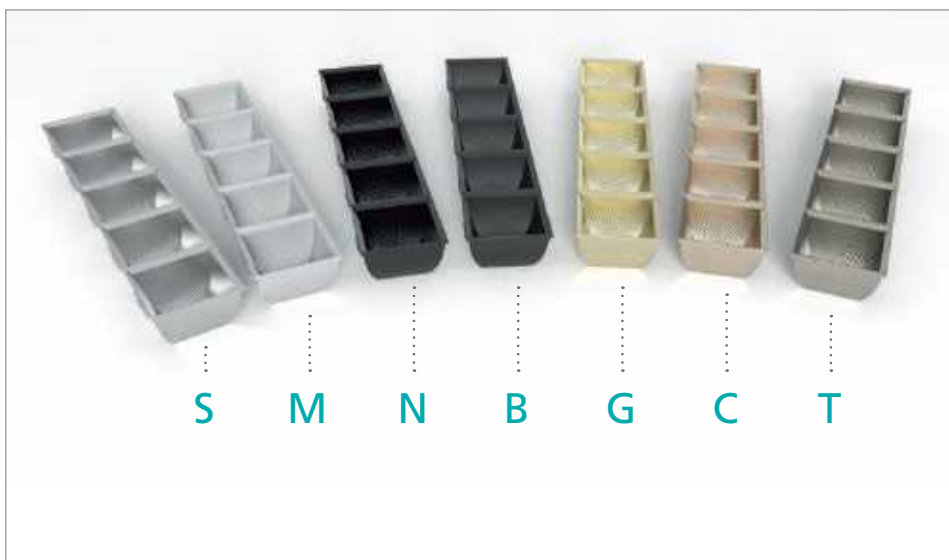
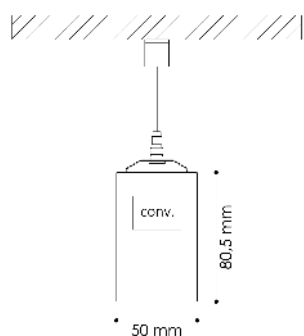
low output sensor	LS
high output sensor	HS
dynamic white sensor (DW only)	DS

6 GEHÄUSEFARBE
 HOUSING COLOUR
 COULEUR DU BOÎTIER

silver RAL9006	SI
white RAL9016	WH
black RAL9005	BL

7 BAP-RASTER FARBE
 BAP LOUVRE COLOUR
 GRILLE BAP COULEUR

silver specular	S
silver matt	M
black specular	N
black matt	B
gold specular	G
bronze specular	C
titan specular	T



Size [mm]	direct		direct + indirect		direct [kg]	direct + indirect [kg]
	low output [lm] / [W]	high output [lm] / [W]	low output [lm] / [W]	high output [lm] / [W]		
1.449	2.765 / 20,5	5.160 / 39,4	4.673 / 32,6	8.863 / 66,9	3,8	3,9
1.689	3.318 / 24	6.192 / 46,5	5.608 / 38,3	10.636 / 79,8	4,3	4,5
1.929	3.871 / 27,6	7.224 / 53,8	6.542 / 45,5	12.408 / 92,2	4,9	5,0

Alle Lumenangaben für 4000K, CRI>80, Reflektor silber hochglanz
 All lumen values for 4000K, CRI>80, reflector silver specular
 Toutes les données de lumens pour 4000K, CRI>80, réflecteur argenté brillant

LINE70

HÄNGELEUCHE | PENDANT LUMINAIRE | LUMINAIRE SUSPENSION



LED-Hängeleuchte direktstrahlend oder direkt-indirektstrahlend. Lichtkanal aus Aluminium-Strangpressprofil mit einer Breite von 71 mm. Fertigung der Leuchtenlänge millimetergenau auf Kundenwunsch möglich. Oberfläche der Leuchte feinstruktur matt pulverbeschichtet ähnlich RAL 9016 weiß, RAL 9006 silber oder RAL 9005 schwarz – auf Anfrage in RAL nach Wahl. Diffusor wahlweise in PMMA opal oder PMMA klar mit eingeschobener mikroprismatischer Platte für eine reduzierte Leuchtdichte (UGR<19). Leuchte inkl. weißem, rechteckigem Baldachin mit transparentem Einspeisekabel sowie flexiblen Seilabhängern und Schnellspannern zur stufenlosen Regulierung der Montagehöhe. Der LED-Treiber ist im Leuchtengehäuse integriert – wahlweise als on/off oder DALI-Variante. Farbtemperaturen 2700K, 3000K, 4000K oder dynamisch Weiß (2700K–6500K) – Farbwiedergabe CRI>80 oder CRI>90 – Mac Adam ≤3. Weitere Steuerungsoptionen oder Lichtfarben auf Anfrage erhältlich. Außerdem ist die Integration vieler Komponenten, wie beispielsweise Notlicht oder Sensortechnologie, sowie eine Vielzahl weiterer Optionen möglich.

Pendant LED luminaire direct beam or direct-indirect beam. Light channel made of extruded aluminium profile with a width of 71 mm. Luminaire length can be manufactured to the exact millimetre on customer request. Surface of the luminaire fine structure matt powder coated similar to RAL 9016 white, RAL 9006 silver or RAL 9005 black - on request in RAL of choice. Diffuser either in PMMA opal or PMMA clear with inserted microprismatic plate for reduced luminance (UGR<19). Luminaire incl. white, rectangular canopy with transparent feeding cable as well as flexible cord suspensions and quick-release clamps for continuous adjustment of mounting height. The LED driver is integrated in the luminaire housing - either as on/off or DALI version. Colour temperatures 2700K, 3000K, 4000K or dynamic white (2700K-6500K) - colour rendering CRI>80 or CRI>90 - Mac Adam ≤3. Further control options or light colours available on request. In addition, the integration of many components, such as emergency lighting or sensor technology, as well as a variety of other options is possible.

Suspension LED à éclairage direct ou direct-indirect. Canal lumineux en profilé d'aluminium extrudé d'une largeur de 71 mm. Fabrication de la longueur du luminaire au millimètre près possible sur demande du client. Surface du luminaire à structure fine, revêtement par poudre mat similaire à RAL 9016 blanc, RAL 9006 argent ou RAL 9005 noir - sur demande en RAL au choix. Diffuseur au choix en PMMA opale ou en PMMA transparent avec plaque microprismatique insérée pour un éblouissement réduit (UGR<19). Luminaire avec rosace rectangulaire blanche, câble d'alimentation transparent, de câble flexibles et tendeurs rapides permettant de régler la hauteur de montage en continu. Le pilote LED est intégré dans le boîtier du luminaire - au choix sous forme de variante on/off ou DALI. Températures de couleur 2700K, 3000K, 4000K ou blanc dynamique (2700K-6500K) - Rendu des couleurs CRI>80 ou CRI>90 - Mac Adam ≤3. Autres options de commande ou couleurs de lumière disponibles sur demande. En outre, l'intégration de nombreux composants, tels que l'éclairage de secours ou la technologie de détection, une multitude d'autres options sont possibles.

ÜBERSICHT | OVERVIEW | VUE D'ENSEMBLE

TECHNICAL DATA

2700K / 3000K / 4000K / 2700-6500K

CRI>80 / CRI>90

MacAdam ≤ 3

up to 161 lm/W, up to 6.958 lm/m

on-off / DALI

direct / direct + indirect

opal / microprism (UGR <19)

HOUSING COLOUR

schwarz | black | noir
RAL 9005

silber | silver | argent
RAL 9006

weiß | white | blanc
RAL 9016

RAL-Farbe nach Wahl auf Anfrage
RAL colour of your choice on demand
Couleur RAL de votre choix sur demande

LIFETIME

L80B10 50.000h

OPTIONS

emergency lighting

motion and day-light sensor

many more on demand



>80

>90

IP20

DALI

≤3

>50.000 h

HÄNGELEUCHTE „LINE70“
 PENDANT LUMINAIRE “LINE70”
 LUMINAIRE SUSPENSION « LINE70 »

Bestellbeispiel | Example order | Exemple de commande
 3.134 mm, CRI>90, 4000K, direct + indirect, low output on/off, black, microprism

LI70H - 319402 - LOBLM

1 2 3 4 5 6 7

1 LÄNGE LENGTH LONGEUR	
1.214 mm	12
1.454 mm	14
1.694 mm	16
1.934 mm	19
2.174 mm	21
2.414 mm	24
2.894 mm	28
3.134 mm	31
3.856 mm	38

2 FARBWIEDERGABE COLOUR RENDERING RENDU DES COULEURS	
CRI>80	8
CRI>90	9

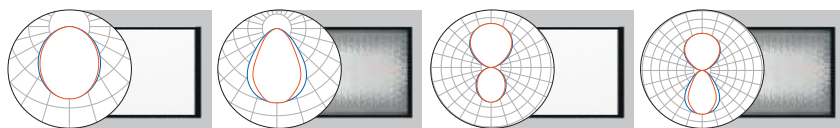
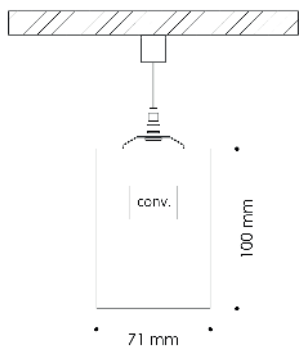
3 FARBTEMPERATUR COLOUR TEMPERATURE TEMPÉRATURE DE COULEUR	
2700K (CRI>90 only)	27
3000K	30
4000K	40
2700-6500K (CRI>90 only)	DW

4 LICHTVERTEILUNG LIGHT DISTRIBUTION DISTRIBUTION DE LA LUMIÈRE	
direct	1
direct + indirect	2

5 LEISTUNG & STEUERUNG OUTPUT & CONTROL SORTIE & CONTRÔLE	
low output on/off	LO
low output DALI	LD
high output on/off	HO
high output DALI	HD
dynamic white DALI DT8	DW

6 GEHÄUSEFARBE HOUSING COLOUR COULEUR DU BOÎTIER	
silver RAL9006	SI
white RAL9016	WH
black RAL9005	BL

7 DIFFUSOR DIFFUSER DIFFUSEUR	
opal	O
microprism	M



Size [mm]	opal direct		microprism direct		opal direct + indirect		microprism direct + indirect		direct	direct + indirect
	low output [lm] / [W]	high output [lm] / [W]	low output [lm] / [W]	high output [lm] / [W]	low output [lm] / [W]	high output [lm] / [W]	low output [lm] / [W]	high output [lm] / [W]	KG	KG
1.214	2.154 / 18,8	3.418 / 30	2.090 / 18,8	3.216 / 30	5.136 / 35,4	8.176 / 57,2	5.072 / 35,4	7.974 / 57,2	3,6	4,2
1.454	2.585 / 22,1	4.102 / 35,8	2.508 / 22,1	3.859 / 35,8	6.163 / 41,6	9.811 / 68,1	6.086 / 41,6	9.569 / 68,1	4,2	4,8
1.694	3.016 / 25,5	4.785 / 41,1	2.926 / 25,5	4.502 / 41,1	7.190 / 47,9	11.446 / 80,8	7.100 / 47,9	11.164 / 80,8	4,9	5,5
1.934	3.446 / 28,7	5.469 / 46,3	3.344 / 28,7	5.146 / 46,3	8.218 / 54,5	13.082 / 91,7	8.116 / 54,5	12.758 / 91,7	5,4	6,1
2.174	3.877 / 32	6.152 / 52	3.762 / 32	5.789 / 52	9.245 / 60,8	14.717 / 103	9.130 / 60,8	14.353 / 103	6,1	6,7
2.414	4.308 / 35,4	6.836 / 57,3	4.180 / 35,4	6.432 / 57,3	10.272 / 65,4	16.352 / 113,1	10.144 / 65,4	15.948 / 113,1	6,8	7,5
2.894	5.170 / 41,6	8.203 / 69,6	5.016 / 41,6	7.718 / 69,6	12.326 / 77,4	19.622 / 134,8	12.172 / 77,4	19.138 / 134,8	8,0	8,8
3.134	5.600 / 44,8	8.887 / 75,5	5.434 / 44,8	8.362 / 75,5	13.354 / 83,4	21.258 / 145,3	13.189 / 83,4	20.732 / 145,3	8,6	9,4
3.856	6.892 / 57,4	10.938 / 92,6	6.688 / 57,4	10.292 / 92,6	16.436 / 109	26.164 / 183,4	16.232 / 109	25.516 / 183,4	10,8	11,7

Alle Lumenangaben für 4000K, CRI>80, Microprisma ohne Opalfolie
 All lumen values for 4000K, CRI>80, microprism without opal foil
 Toutes les données de lumens pour 4000K, CRI>80, microprisme sans feuille opale

RING50

HÄNGELEUCHE | PENDANT LUMINAIRE | LUMINAIRE SUSPENSION



Ringförmige LED-Hängeleuchte direktstrahlend oder direkt-indirektstrahlend. Lichtkanal aus gerolltem Aluminiumprofil mit einer Breite von 50 mm. Leuchte erhältlich in neun verschiedenen Durchmessern – 1220 und 1575 mm in einem Stück nahtlos verschweißt – die restlichen Größen (2020, 2595, 3090, 3535, 4070, 5050, 6075 mm) bestehend aus zwei bis neun gleich großen Segmenten. Oberfläche der Leuchte feinstruktur matt pulverbeschichtet ähnlich RAL 9016 weiß, RAL 9006 silber oder RAL 9005 schwarz – auf Anfrage in RAL nach Wahl. Diffusor wahlweise in PMMA opal oder PMMA klar mit mikroprismatischer Prägung für eine reduzierte Leuchtdichte (UGR<19). Leuchte inkl. weißem, rundem Baldachin mit transparentem Einspeisekabel sowie flexiblen Seilabhängern und Schnellspannern zur stufenlosen Regulierung der Montagehöhe. Der LED-Treiber ist im Leuchtengehäuse integriert – wahlweise als on/off oder DALI-Variante. Farbtemperaturen 2700K, 3000K, 4000K oder dynamisch Weiß (2700K–6500K) – Farbwiedergabe CRI>80 oder CRI>90 – Mac Adam ≤3. Weitere Steuerungsoptionen oder Lichtfarben auf Anfrage erhältlich. Außerdem ist die Integration vieler Komponenten, wie beispielsweise Notlicht oder Sensortechnologie, sowie eine Vielzahl weiterer Optionen möglich.

Ring-shaped pendant LED luminaire with direct beam or direct-indirect beam. Light channel made of rolled aluminium profile with a width of 50 mm. Luminaire available in nine different diameters - 1220 and 1575 mm seamlessly welded in one piece - the remaining sizes (2020, 2595, 3090, 3535, 4070, 5050, 6075 mm) consisting of two to nine equally sized segments. Surface of the luminaire fine structure matt powder coated similar to RAL 9016 white, RAL 9006 silver or RAL 9005 black - on request in RAL of choice. Diffuser either in PMMA opal or PMMA clear with microprismatic pattern for reduced luminance (UGR<19). Luminaire incl. white, round canopy with transparent feeding cable as well as flexible cord suspension and quick-release clamps for continuous adjustment of the mounting height. The LED driver is integrated in the luminaire housing - either as on/off or DALI version. Colour temperatures 2700K, 3000K, 4000K or dynamic white (2700K-6500K) - colour rendering CRI>80 or CRI>90 - Mac Adam ≤3. Further control options or light colours available on request. In addition, the integration of many components, such as emergency lighting or sensor technology, as well as a variety of other options is possible.

Suspension anneau LED à éclairage direct ou direct-indirect. Canal lumineux en profilé d'aluminium roulé d'une largeur de 50 mm. Luminaire disponible en neuf diamètres différents - 1220 et 1575 mm en une seule pièce soudée sans soudure - les autres tailles (2020, 2595, 3090, 3535, 4070, 5050, 6075 mm) se composent de deux à neuf segments de même taille. Surface du luminaire à structure fine matte revêtue par poudre similaire à RAL 9016 blanc, RAL 9006 argent ou RAL 9005 noir - sur demande en RAL au choix. Diffuseur au choix en PMMA opale ou en PMMA transparent avec gaufrage microprismatique pour un éblouissement réduit (UGR<19). Luminaire rond blanc avec un câble d'alimentation transparent ainsi que des câbles flexibles et des tendeurs rapides permettant de régler la hauteur de montage en continu. Le pilote LED est intégré dans le boîtier du luminaire - au choix en version on/off ou DALI. Températures de couleur 2700K, 3000K, 4000K ou blanc dynamique (2700K-6500K) - Rendu des couleurs CRI>80 ou CRI>90 - Mac Adam ≤3. Autres options de commande ou couleurs de lumière disponibles sur demande. En outre, l'intégration de nombreux composants, tels que l'éclairage de secours ou la technologie de détection, une multitude d'autres options sont possibles.

ÜBERSICHT | OVERVIEW | VUE D'ENSEMBLE

TECHNICAL DATA

2700K / 3000K / 4000K / 2700-6500K

CRI>80 / CRI>90

MacAdam ≤ 3

up to 132 lm/W

on-off / DALI

direct / direct + indirect

opal / microprism (UGR <19)

LIFETIME

L80B10 50.000h

OPTIONS

emergency lighting

motion and day-light sensor

many more on demand

HOUSING COLOUR

schwarz | black | noir
RAL 9005



silber | silver | argent
RAL 9006



weiß | white | blanc
RAL 9016



RAL-Farbe nach Wahl auf Anfrage
RAL colour of your choice on demand
Couleur RAL de votre choix sur demande



>80

>90

IP20

DALI

≤3

>50.000 h

HÄNGELEUCHTE „RING50“
 PENDANT LUMINAIRE “RING50”
 LUMINAIRE SUSPENSION « RING50 »

Bestellbeispiel | Example order | Exemple de commande
 6.075 mm, CRI>90, 4000K, direct + indirect, low output on/off, black, microprism

RG50H - 609402 - LOBLM

1 2 3 4 5 6 7

1 DURCHMESSER
 DIAMETER
 DIAMÈTRE

1.220 mm (no DW)	12
1.575 mm (no DW)	15
2.020 mm	20
2.595 mm	25
3.090 mm	30
3.535 mm	35
4.070 mm	40
5.050 mm	50
6.075 mm	60

2 FARBWIEDERGABE
 COLOUR RENDERING
 RENDU DES COULEURS

CRI>80	8
CRI>90	9

3 FARBTemperatur
 COLOUR TEMPERATURE
 TEMPÉRATURE DE COULEUR

2700K (CRI>90 only)	27
3000K	30
4000K	40
2700-6500K (CRI>90 only)	DW

4 LICHTVERTEILUNG
 LIGHT DISTRIBUTION
 DISTRIBUTION DE LA LUMIÈRE

direct	1
direct + indirect	2

5 LEISTUNG & STEUERUNG
 OUTPUT & CONTROL
 SORTIE & CONTRÔLE

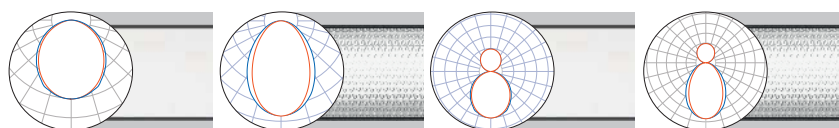
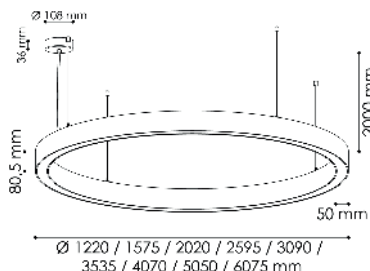
low output on/off	LO
low output DALI	LD
high output on/off	HO
high output DALI	HD
dynamic white DALI DT8	DW

6 GEHÄUSEFARBE
 HOUSING COLOUR
 COULEUR DU BOÎTIER

silver RAL9006	SI
white RAL9016	WH
black RAL9005	BL

7 DIFFUSOR
 DIFFUSER
 DIFFUSEUR

opal	O
microprism	M



Size [mm]	opal direct		microprism direct		opal direct + indirect		microprism direct + indirect		direct [kg]	direct + indirect [kg]
	low output [lm] / [W]	high output [lm] / [W]	low output [lm] / [W]	high output [lm] / [W]	low output [lm] / [W]	high output [lm] / [W]	low output [lm] / [W]	high output [lm] / [W]		
Ø 1.220	4.888 / 44,7	8.376 / 72,5	5.026 / 44,7	8.616 / 72,5	7.402 / 60,4	12.688 / 97,9	7.539 / 60,4	12.920 / 97,9	9,9	10,5
Ø 1.575	6.110 / 59	10.470 / 90,6	6.283 / 59	10.770 / 90,6	9.252 / 75,5	15.860 / 122,3	9.424 / 75,5	16.150 / 122,3	12,8	13,6
Ø 2.020	7.943 / 76,7	13.611 / 117,8	8.168 / 76,7	14.001 / 117,8	12.028 / 98,15	20.618 / 159	12.251 / 98,15	20.995 / 159	16,5	17,5
Ø 2.595	10.387 / 100,3	17.799 / 154	10.681 / 100,3	18.309 / 154	15.728 / 128,3	26.962 / 207,9	16.021 / 128,3	27.455 / 207,9	21,1	22,4
Ø 3.090	12.220 / 118	20.940 / 181,2	12.566 / 118	21.540 / 181,2	18.504 / 151	31.720 / 244,6	18.848 / 151	32.300 / 244,6	25,2	26,7
Ø 3.535	14.053 / 135,7	24.081 / 208,4	14.451 / 135,7	24.771 / 208,4	21.280 / 173,6	36.478 / 281,3	21.675 / 173,6	37.145 / 281,3	28,8	30,6
Ø 4.070	15.886 / 153,4	27.222 / 235,6	16.336 / 153,4	28.002 / 235,6	24.055 / 196,3	41.236 / 318	24.502 / 196,3	41.990 / 318	33,2	35,2
Ø 5.050	20.163 / 194,7	34.551 / 299	20.734 / 194,7	35.541 / 299	30.532 / 249,1	52.338 / 403,6	31.099 / 249,1	53.295 / 403,6	41,1	43,6
Ø 6.075	23.829 / 230,1	40.833 / 353,3	24.504 / 230,1	42.003 / 353,3	36.083 / 294,5	61.854 / 477	36.754 / 294,5	62.985 / 477	49,5	52,5

Alle Lumenangaben für 4000K, CRI>80, Gehäusefarbe weiß
 All lumen values for 4000K, CRI>80, housing colour white
 Toutes les données de lumens pour 4000K, CRI>80, couleur du boîtier blanc

FLEX50

HÄNGELEUCHE | PENDANT LUMINAIRE | LUMINAIRE SUSPENSION







LED-Hängeleuchte als Segment zur individuellen Kombination. Direktstrahlend oder direkt-indirektstrahlend. Lichtkanal aus gerolltem Aluminiumprofil mit einer Breite von 50 mm. Segmente erhältlich in 13 verschiedenen Varianten – zwei Stück als gerades Profil 980 oder 1960 mm – die restlichen Segmente sind als 40°, 45°, 60°- bzw. 90°-Stücke mit einem Mittenradius von 585 bis 3012,5 mm erhältlich. Oberfläche der Leuchte feinstruktur matt pulverbeschichtet ähnlich RAL 9016 weiß, RAL 9006 silber oder RAL 9005 schwarz – auf Anfrage in RAL nach Wahl. Diffusor wahlweise in PMMA opal oder PMMA klar mit mikroprismatischer Prägung für eine reduzierte Leuchtdichte (UGR<19). Leuchte inkl. weißem, rundem Baldachin mit transparentem Einspeisekabel sowie flexiblen Seilabhängern und Schnellspannern zur stufenlosen Regulierung der Montagehöhe. Der LED-Treiber ist im Leuchtengehäuse integriert – wahlweise als on/off oder DALI-Variante. Farbtemperaturen 2700K, 3000K, 4000K oder dynamisch Weiß (2700K–6500K) – Farbwiedergabe CRI>80 oder CRI>90 – Mac Adam ≤3. Weitere Steuerungsoptionen oder Lichtfarben auf Anfrage erhältlich. Außerdem ist die Integration vieler Komponenten, wie beispielsweise Notlicht oder Sensortechnologie, sowie eine Vielzahl weiterer Optionen möglich.

Pendant LED luminaire as segment for individual combination. Direct beam or direct-indirect beam. Light channel made of rolled aluminium profile with a width of 50 mm. Segments available in 13 different versions - two pieces as straight profile 980 or 1960 mm - the remaining segments are available as 40°, 45°, 60° or 90° pieces with a middle radius of 585 to 3012.5 mm. Surface of the luminaire fine structure matt powder coated similar to RAL 9016 white, RAL 9006 silver or RAL 9005 black - on request in RAL of choice. Diffuser either in PMMA opal or PMMA clear with microprismatic pattern for reduced luminance (UGR<19). Luminaire incl. white, round canopy with transparent feeding cable as well as flexible cord suspension and quick-release clamps for continuous adjustment of mounting height. The LED driver is integrated in the luminaire housing - either as on/off or DALI version. Colour temperatures 2700K, 3000K, 4000K or dynamic white (2700K-6500K) - colour rendering CRI>80 or CRI>90 - Mac Adam ≤3. Further control options or light colours available on request. In addition, the integration of many components, such as emergency lighting or sensor technology, as well as a variety of other options is possible.

Luminaire LED suspendu sous segment pour une combinaison individuelle. Éclairage direct ou éclairage direct-indirect. Canal lumineux en profilé d'aluminium roulé d'une largeur de 50 mm. Segments disponibles en 13 variantes différentes - deux pièces sous forme de profilé droit de 980 ou 1960 mm - les autres segments sont disponibles sous forme de pièces de 40°, 45°, 60° ou 90° avec un rayon central de 585 à 3012,5 mm. Surface du luminaire à structure fine matte revêtue par poudre similaire à RAL 9016 blanc, RAL 9006 argent ou RAL 9005 noir - sur demande en RAL au choix. Diffuseur au choix en PMMA opale ou en PMMA transparent avec gaufrage microprismatique pour un éblouissement réduit (UGR<19). Luminaire rond blanc avec un câble d'alimentation transparent ainsi que des câbles flexibles et des tendeurs rapides permettant de régler la hauteur de montage en continu. Le pilote LED est intégré dans le boîtier du luminaire - au choix sous forme de variante on/off ou DALI. Températures de couleur 2700K, 3000K, 4000K ou blanc dynamique (2700K-6500K) - Rendu des couleurs CRI>80 ou CRI>90 - Mac Adam ≤3. Autres options de commande ou couleurs de lumière disponibles sur demande. En outre, l'intégration de nombreux composants, tels que l'éclairage de secours ou la technologie de détection, une multitude d'autres options sont possibles.

ÜBERSICHT | OVERVIEW | VUE D'ENSEMBLE

TECHNICAL DATA	
2700K / 3000K / 4000K / 2700-6500K	
CRI>80 / CRI>90	
MacAdam ≤ 3	
up to 132 lm/W	
on-off / DALI	
direct / direct + indirect	
opal / microprism (UGR <19)	
HOUSING COLOUR	
schwarz black noir RAL 9005	
silber silver argent RAL 9006	
weiß white blanc RAL 9016	
RAL-Farbe nach Wahl auf Anfrage RAL colour of your choice on demand Couleur RAL de votre choix sur demande	

LIFETIME
L80B10 50.000h

OPTIONS
emergency lighting
motion and day-light sensor
many more on demand

 LED	 CRI	 CRI	 IP20	 DALI	 ≤3	 >50.000 h
>80	>90	IP20	DALI	≤3	>50.000 h	

HÄNGELEUCHTE „FLEX50“
 PENDANT LUMINAIRE “FLEX50”
 LUMINAIRE SUSPENSION « FLEX50 »

Bestellbeispiel | Example order | Exemple de commande
 straight, 1.960 mm, CRI>90, 4000K, direct + indirect, low output on/off, black, microprism

FX50H - L29402 - LOBLM

1 2 3 4 5 6 7

1 GRÖSSE SIZE TAILLE	
straight, L 980 mm	L1
straight, L 1.960 mm	L2
90°, R 585 mm (no DW)	19
90°, R 762,5 mm (no DW)	29
90°, R 985 mm	39
45°, R 1.272,5 mm	44
90°, R 1.272,5 mm	49
60°, R 1.520 mm	56
90°, R 1.520 mm	59
60°, R 1.742,5 mm	66
60°, R 2.010 mm	76
45°, R 2.500 mm	84
40°, R 3.012,5 mm	94

2 FARBWIEDERGABE COLOUR RENDERING RENDU DES COULEURS	
CRI>80	8
CRI>90	9

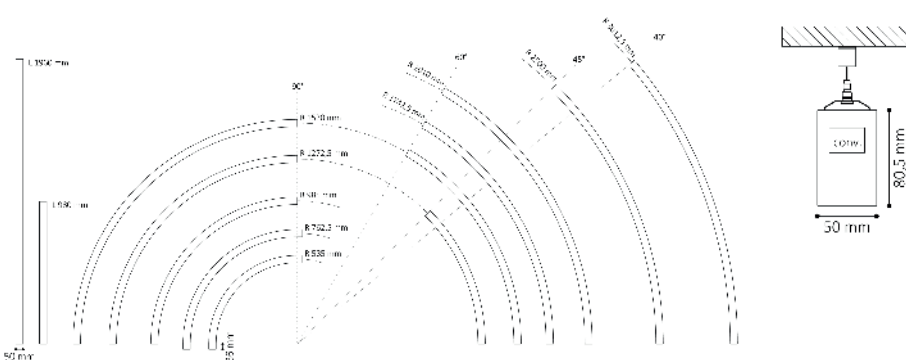
3 FARBTEMPERATUR COLOUR TEMPERATURE TEMPÉRATURE DE COULEUR	
2700K (CRI>90 only)	27
3000K	30
4000K	40
2700-6500K (CRI>90 only)	DW

4 LICHTVERTEILUNG LIGHT DISTRIBUTION DISTRIBUTION DE LA LUMIÈRE	
direct	1
direct + indirect	2

5 LEISTUNG & STEUERUNG OUTPUT & CONTROL SORTIE & CONTRÔLE	
low output on/off	LO
low output DALI	LD
high output on/off	HO
high output DALI	HD
dynamic white DALI DT8	DW

6 GEHÄUSEFARBE HOUSING COLOUR COULEUR DU BOÎTIER	
silver RAL9006	SI
white RAL9016	WH
black RAL9005	BL

7 DIFFUSOR DIFFUSER DIFFUSEUR	
opal	O
microprism	M



Size [mm]	opal direct		microprism direct		opal direct + indirect		microprism direct + indirect		direct	direct + indirect
	low output [lm] / [W]	high output [lm] / [W]	low output [lm] / [W]	high output [lm] / [W]	low output [lm] / [W]	high output [lm] / [W]	low output [lm] / [W]	high output [lm] / [W]	KG	KG
straight, L 980	1.222 / 11,2	2.094 / 18,1	1.257 / 11,2	2.153 / 18,1	1.850 / 15,1	3.171 / 24,5	1.885 / 15,1	3.230 / 24,5	2,5	2,7
straight, L 1.960	2.554 / 23,3	4.377 / 37,8	2.626 / 23,3	4.377 / 37,8	3.701 / 31,6	6.343 / 51,1	3.780 / 31,6	6.479 / 51,1	5,1	5,4
90°, R 585	1.224 / 11,2	2.096 / 18,1	1.256 / 11,2	2.156 / 18,1	1.850 / 15,1	3.171 / 24,5	1.885 / 15,1	3.230 / 24,5	2,5	2,6
90°, R 762,5	1.530 / 14	2.620 / 22,7	1.570 / 14	2.695 / 22,7	2.315 / 18,9	3.965 / 30,6	2.355 / 18,9	4.035 / 30,6	3,2	3,4
90°, R 985	1.836 / 16,8	3.144 / 27,2	1.884 / 16,8	3.234 / 27,2	2.778 / 22,7	4.758 / 36,7	2.826 / 22,7	4.842 / 36,7	4,1	4,4
45°, R 1.272,5	1.224 / 11,2	2.096 / 18,1	1.256 / 11,2	2.156 / 18,1	1.850 / 15,1	3.171 / 24,5	1.885 / 15,1	3.230 / 24,5	2,6	2,8
90°, R 1.272,5	2.448 / 22,4	4.192 / 36,2	2.512 / 22,4	4.312 / 36,2	3.704 / 30,2	6.344 / 49	3.768 / 30,2	6.456 / 49	5,3	5,6
60°, R 1.520	1.836 / 16,8	3.144 / 27,2	1.884 / 16,8	3.234 / 27,2	2.778 / 22,7	4.758 / 36,7	2.826 / 22,7	4.842 / 36,7	4,2	4,5
90°, R 1.520	3.060 / 28	5.240 / 45,3	3.140 / 28	5.390 / 45,3	4.630 / 37,8	7.930 / 61,2	4.710 / 37,8	8.070 / 61,2	6,3	6,7
60°, R 1.742,5	2.142 / 19,6	3.668 / 31,7	2.198 / 19,6	3.773 / 31,7	3.241 / 26,5	5.551 / 42,8	3.297 / 26,5	5.649 / 42,8	4,8	5,1
60°, R 2.010	2.754 / 25,2	4.716 / 40,8	2.826 / 25,2	4.851 / 40,8	4.167 / 34	7.137 / 55,1	4.239 / 34	7.263 / 55,1	5,5	5,9
45°, R 2.500	2.448 / 22,4	4.192 / 36,2	2.512 / 22,4	4.312 / 36,2	3.704 / 30,2	6.344 / 49	3.768 / 30,2	6.456 / 49	5,1	5,5
40°, R 3.012,5	2.754 / 25,2	4.716 / 40,8	2.826 / 25,2	4.851 / 40,8	4.167 / 34	7.137 / 55,1	4.239 / 34	7.263 / 55,1	5,5	5,8

Alle Lumenangaben für 4000K, CRI>80, Gehäusefarbe weiß
 All lumen values for 4000K, CRI>80, housing colour white
 Toutes les données de lumens pour 4000K, CRI>80, couleur du boîtier blanc

ROUND90

HÄNGELEUCHE | PENDANT LUMINAIRE | LUMINAIRE SUSPENSION



Runde LED-Flächenleuchte zur Hängemontage. Direktstrahlend oder direkt-indirektstrahlend. Gehäuse aus gerolltem Aluminiumprofil, nahtlos verschweißt. Fertigung der Leuchte in vier Durchmessern: 350, 450, 650 und 950 mm mit einer Gesamthöhe von 90 mm. Oberfläche pulverbeschichtet feinstruktur matt ähnlich RAL 9016 weiß, RAL 9006 silber oder RAL 9005 schwarz – auf Anfrage in RAL nach Wahl. Die durchdachte Konstruktion der Leuchte ermöglicht ein Design in zahlreichen Farbkombinationen – zwischen Gehäusefarbe und Dekorring kann beliebig kombiniert werden. Um der Leuchtenfamilie neben den Standardfarben einen dekorativen Touch zu verleihen, steht der Dekorring auch in den strukturierten Spezialoberflächen schlaggold, schlagsilber und schlagbronze zur Auswahl. Diffusor in PMMA wahlweise opal, mikroprismatisch inkl. Streufolie oder nur mikroprismatisch (office special) für eine reduzierte Leuchtdichte (UGR<19). Leuchte inkl. weißem, rundem Deckenbaldachin mit transparentem Einspeisekabel. Abhängung wählbar zwischen einem individuell kürzbaren starren Pendenrohr (R) oder den 3 Seilabhängungen Standard (H), Zentral (Z) oder Y-Abhängung (Y). Schnellspanner bei den Seilvarianten an der Leuchte zur stufenlosen Regulierung der Montagehöhe. Pendenrohr und dazugehöriger Baldachin in Gehäusefarbe. Der LED-Treiber ist im Leuchtengehäuse integriert – wahlweise als on/off oder DALI-Variante. Farbtemperaturen 2700K, 3000K, 4000K oder dynamisch Weiß (2700K-6500K) – Farbwiedergabe CRI>80 oder CRI>90 – Mac Adam ≤3. Weitere Steuerungsoptionen oder Lichtfarben auf Anfrage möglich. Außerdem ist die Integration vieler Komponenten, wie beispielsweise Notlicht oder Sensortechnologie, sowie eine Vielzahl weiterer Optionen möglich.

Round LED luminaire for pendant mounting. Direct beam or direct-indirect beam. Housing made of rolled aluminium profile, seamlessly welded. Luminaire manufactured in four diameters: 350, 450, 650 and 950 mm with a total height of 90 mm. Surface powder coated fine structure matt similar to RAL 9016 white, RAL 9006 silver or RAL 9005 black - on request in RAL of choice. The sophisticated construction of the luminaire allows a design in numerous colour combinations - any combination of housing colour and decorative ring is possible. To give the luminaire family a decorative touch in addition to the standard colours, the decorative ring is also available in the special textured surfaces beaten gold, beaten silver and beaten bronze. Diffuser in PMMA either opal, microprism incl. diffuser foil or only microprism (office special) for reduced luminance (UGR<19). Luminaire incl. white, round ceiling canopy with transparent feeding cable. Suspension can be selected between an individually shortenable stiff suspension rod (R) or the 3 wire suspensions standard (H), central (Z) or Y-suspension (Y). Quick-release clamps on the cable versions on the luminaire for infinitely variable adjustment of the mounting height. Suspension rod and matching canopy in the same colour as the housing. The LED driver is integrated in the luminaire housing - either as on/off or DALI version. Colour temperatures 2700K, 3000K, 4000K or dynamic white (2700K-6500K) - colour rendering CRI>80 or CRI>90 - Mac Adam ≤3. Further control options or light colours available on request. In addition, the integration of many components, such as emergency lighting or sensor technology, as well as a variety of other options is possible.

Suspension runde LED. Éclairage direct ou éclairage direct-indirect. Boîtier en profilé d'aluminium roulé, soudé sans soudure. Fabrication du luminaire en quatre diamètres : 350, 450, 650 et 950 mm avec une hauteur totale de 90 mm. Surface revêtue par poudre à structure fine mate similaire à RAL 9016 blanc, RAL 9006 argent ou RAL 9005 noir - sur demande en RAL au choix. La construction bien pensée du luminaire permet un design dans de nombreuses combinaisons de couleurs - il est possible de combiner à volonté entre la couleur du boîtier et l'anneau décoratif. Pour donner à la famille de luminaires une touche décorative en plus des couleurs standard, l'anneau décoratif est également disponible dans les surfaces spéciales structurées or choc, argent choc et bronze choc. Diffuseur en PMMA au choix opale, microprismatique y compris feuille diffusante ou uniquement microprismatique (office special) pour un éblouissement réduit (UGR<19). de plafond rond blanc avec câble d'alimentation transparent. Suspension au choix entre un tube de rigide pouvant être raccourci individuellement (R) ou par câble : standard (H), centrale (Z) ou en Y (Y). Tendeur rapide pour les variantes de câble sur le luminaire pour un réglage en continu de la hauteur de montage. Tube de suspension correspondant à la couleur du boîtier. Le driver LED est intégré dans le boîtier du luminaire - au choix en version on/off ou DALI. Températures de couleur 2700K, 3000K, 4000K ou blanc dynamique (2700K-6500K) - Rendu des couleurs CRI>80 ou CRI>90 - Mac Adam ≤3. Autres options de commande ou couleurs de lumière possibles sur demande. En outre, l'intégration de nombreux composants, tels que l'éclaira.

ÜBERSICHT | OVERVIEW | VUE D'ENSEMBLE

TECHNICAL DATA	LIFETIME	OPTIONS
2700K / 3000K / 4000K / 2700-6500K	L80B10 50.000h	emergency lighting
CRI>80 / CRI>90		motion and day-light sensor
MacAdam ≤ 3		many more on demand
up to 174 lm/W		
on-off / DALI		
direct / direct + indirect		
opal / microprism / office special (UGR <19)		
		LED CRI >80 CRI >90 IP20/50 DALI SDCM ≤3 >50.000 h
HOUSING COLOUR	DECORATION RING COLOUR	
schwarz black noir RAL 9005	schwarz black noir RAL 9005	schlaggold beaten gold or texturés
silber silver argent RAL 9006	silber silver argent RAL 9006	schlagsilber beaten silver argent texturés
weiß white blanc RAL 9016	weiß white blanc RAL 9016	schlagbronze beaten bronze bronze texturés
RAL-Farbe nach Wahl auf Anfrage RAL colour of your choice on demand Couleur RAL de votre choix sur demande	RAL-Farbe nach Wahl auf Anfrage RAL colour of your choice on demand Couleur RAL de votre choix sur demande	

HÄNGELEUCHTE „ROUND90“
 PENDANT LUMINAIRE “ROUND90”
 LUMINAIRE SUSPENSION « ROUND90 »

Bestellbeispiel | Example order | Exemple de commande

Y-Suspension, 350 mm, CRI>90, 4000K, direct, low output on/off, black, beaten gold, microprism

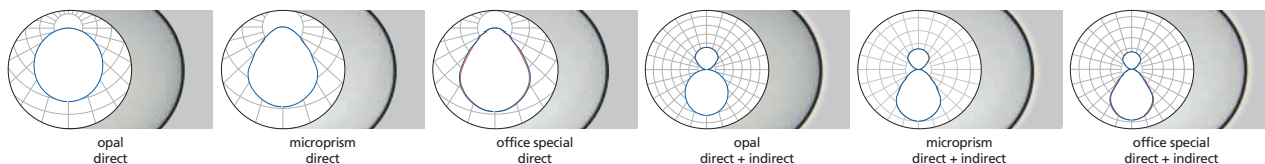
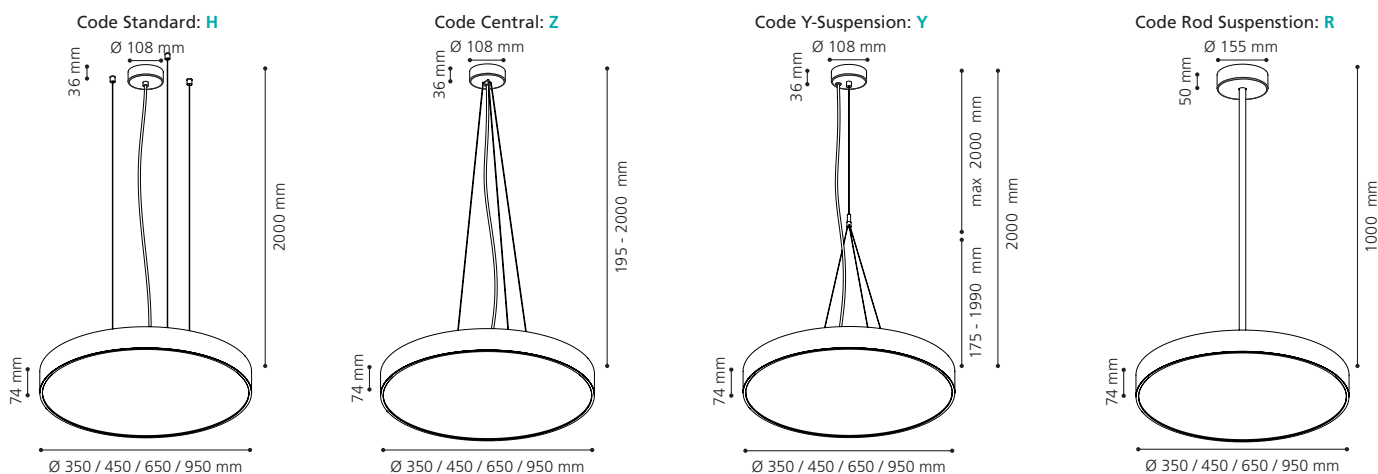
RO90Y - 359401 - LOBGM

1 2 3 4 5 6 7 8 9

1	ABHÄNGUNG SUSPENSION SUSPENSION	
	Standard	H
	Central	Z
	Y-Suspension	Y
	Rod Suspension	R
2	DURCHMESSER DIAMETER DIAMÈTRE	
	350 mm	35
	450 mm	45
	650 mm	65
	950 mm	95
3	FARBWIEDERGABE COLOUR RENDERING RENDU DES COULEURS	
	CRI>80	8
	CRI>90	9

4	FARBTEMPERATUR COLOUR TEMPERATURE TEMPÉRATURE DE COULEUR	
	2700K (CRI>90 only)	27
	3000K	30
	4000K	40
	2700-6500K (CRI>90 only)	DW
5	LICHTVERTEILUNG LIGHT DISTRIBUTION DISTRIBUTION DE LA LUMIÈRE	
	direct	1
	direct + indirect	2
6	LEISTUNG & STEUERUNG OUTPUT & CONTROL SORTIE & CONTRÔLE	
	low output on/off	LO
	low output DALI	LD
	high output on/off	HO
	high output DALI	HD
	dynamic white DALI DT8	DW

7	GEHÄUSEFARBE HOUSING COLOUR COULEUR DU BOÎTIER	
	black RAL9005	B
	silver RAL9006	S
	white RAL9016	W
8	DEKORRING FARBE DECORATION RING COLOUR BAGUE DÉCORATIVE COULEUR	
	black RAL9005	B
	silver RAL9006	S
	white RAL9016	W
	beaten gold	G
	beaten silver	A
	beaten bronze	C
9	DIFFUSOR DIFFUSER DIFFUSEUR	
	opal	O
	microprism	M
	office special	B



Size [mm]	opal direct		microprism direct		office special direct		opal direct + indirect		microprism direct + indirect		office special direct + indirect		KG
	low output [lm] / [W]	high output [lm] / [W]	low output [lm] / [W]	high output [lm] / [W]	low output [lm] / [W]	high output [lm] / [W]	low output [lm] / [W]	high output [lm] / [W]	low output [lm] / [W]	high output [lm] / [W]	low output [lm] / [W]	high output [lm] / [W]	
Ø 350	1.158 / 8,5	1.826 / 13	1.077 / 8,5	1.697 / 13	1.213 / 8,5	1.905 / 13	1.747 / 12	2.625 / 17,5	1.661 / 12	2.493 / 17,5	1.795 / 12	2.691 / 17,5	3,8
Ø 450	2.257 / 15,5	3.561 / 23,5	2.099 / 15,5	3.309 / 23,5	2.364 / 15,5	3.715 / 23,5	3.207 / 21	4.820 / 30	3.050 / 21	4.577 / 30	3.295 / 21	4.941 / 30	5,0
Ø 650	4.114 / 27	6.489 / 41	3.825 / 27	6.029 / 41	4.309 / 27	6.770 / 41	5.534 / 35	8.317 / 51	5.263 / 35	7.897 / 51	5.687 / 35	8.526 / 51	8,0
Ø 950	9.102 / 57	14.360 / 86	8.466 / 57	13.342 / 86	8.466 / 57	13.342 / 86	11.036 / 68	16.585 / 99	10.494 / 68	15.748 / 99	11.342 / 68	17.004 / 99	19,5

Alle Lumenangaben für 4000K, CRI>80, Gehäusefarbe weiß
 All lumen values for 4000K, CRI>80, housing colour white
 Toutes les données de lumens pour 4000K, CRI>80, couleur du boîtier blanc

SQUARE90

HÄNGELEUCHE | PENDANT LUMINAIRE | LUMINAIRE SUSPENSION



Quadratische LED-Flächenleuchte zur Hängemontage. Direktstrahlend oder direkt-indirektstrahlend. Gehäuse aus Aluminiumprofil, nahtlos verschweißt. Fertigung der Leuchte in vier Größen: 350, 450, 650 und 950 mm mit einer Gesamthöhe von 90 mm. Oberfläche pulverbeschichtet feinstruktur matt ähnlich RAL 9016 weiß, RAL 9006 silber oder RAL 9005 schwarz – auf Anfrage in RAL nach Wahl. Die durchdachte Konstruktion der Leuchte ermöglicht ein Design in zahlreichen Farbkombinationen – zwischen Gehäusefarbe und Dekorring kann beliebig kombiniert werden. Um der Leuchtenfamilie neben den Standardfarben einen dekorativen Touch zu verleihen, steht der Dekorring auch in den strukturierten Spezialoberflächen schlaggold, schlagsilber und schlagbronze zur Auswahl. Diffuser in PMMA wahlweise opal, mikroprismatisch inkl. Streufolie oder nur mikroprismatisch (office special) für eine reduzierte Leuchtdichte (UGR<19). Leuchte inkl. weißem, rundem Deckenbaldachin mit transparentem Einspeisekabel. Abhängung wählbar zwischen einem individuell kürzbaren starren Pendenrohr (R) oder den 3 Seilabhängungen Standard (H), Zentral (Z) oder Y-Abhängung (Y). Schnellspanner bei den Seilvarianten an der Leuchte zur stufenlosen Regulierung der Montagehöhe. Pendenrohr und dazugehöriger Baldachin in Gehäusefarbe. Der LED-Treiber ist im Leuchtgehäuse integriert – wahlweise als on/off oder DALI-Variante. Farbtemperaturen 2700K, 3000K, 4000K oder dynamisch Weiß (2700K-6500K) – Farbwiedergabe CRI>80 oder CRI>90 – Mac Adam ≤3. Weitere Steuerungsoptionen oder Lichtfarben auf Anfrage möglich. Außerdem ist die Integration vieler Komponenten, wie beispielsweise Notlicht oder Sensortechnologie, sowie eine Vielzahl weiterer Optionen möglich.

Square LED luminaire for pendant mounting. Direct beam or direct-indirect beam. Housing made of aluminium profile, seamlessly welded. Luminaire manufactured in four sizes: 350, 450, 650 and 950 mm with a total height of 90 mm. Surface powder coated fine structure matt similar to RAL 9016 white, RAL 9006 silver or RAL 9005 black - on request in RAL of choice. The sophisticated construction of the luminaire allows a design in numerous colour combinations - any combination of housing colour and decorative ring is possible. To give the luminaire family a decorative touch in addition to the standard colours, the decorative ring is also available in the special textured surfaces of beaten gold, beaten silver and beaten bronze. Diffuser in PMMA either opal, microprism incl. diffuser foil or only microprism (office special) for reduced luminance (UGR<19). Luminaire incl. white, round ceiling canopy with transparent feeding cable. Suspension can be selected between an individually shortenable stiff suspension rod (R) or the 3 wire suspensions standard (H), central (Z) or Y-suspension (Y). Quick-release clamps on the cable versions on the luminaire for infinitely variable adjustment of the mounting height. Suspension rod and matching canopy in the same colour as the housing. The LED driver is integrated in the luminaire housing - either as on/off or DALI version. Colour temperatures 2700K, 3000K, 4000K or dynamic white (2700K-6500K) - colour rendering CRI>80 or CRI>90 - Mac Adam ≤3. Further control options or light colours available on request. In addition, the integration of many components, such as emergency lighting or sensor technology, as well as a variety of other options is possible.

Suspension carrée LED. Éclairage direct ou direct-indirect. Boîtier en profilé d'aluminium, soudé sans soudure. Fabrication du luminaire en quatre dimensions : 350, 450, 650 et 950 mm avec une hauteur totale de 90 mm. Surface revêtue par poudre à structure fine mate similaire à RAL 9016 blanc, RAL 9006 argent ou RAL 9005 noir - sur demande en RAL au choix. La construction bien pensée du luminaire permet un design dans de nombreuses combinaisons de couleurs - il est possible de combiner à volonté entre la couleur du boîtier et l'anneau décoratif. Pour donner à la famille de luminaires une touche décorative en plus des couleurs standard, l'anneau décoratif est également disponible dans les surfaces spéciales structurées or choc, argent choc et bronze choc. Diffuseur en PMMA au choix opale, microprismatique y compris feuille diffuseuse ou uniquement microprismatique (office special) pour un éblouissement réduit (UGR<19). Luminaire de plafond rond blanc avec câble d'alimentation transparent. Suspension au choix entre un tube rigide pouvant être raccourci individuellement (R) ou par câble : standard (H), centrale (Z) ou en Y (Y). Tendeur rapide pour les variantes de câble sur le luminaire pour un réglage en continu de la hauteur de montage. Tube de suspension correspondant dans la couleur du boîtier. Le driver LED est intégré dans le boîtier du luminaire - au choix en version on/off ou DALI. Températures de couleur 2700K, 3000K, 4000K ou blanc dynamique (2700K-6500K) - Rendu des couleurs CRI>80 ou CRI>90 - Mac Adam ≤3. Autres options de commande ou couleurs de lumière possibles sur demande. En outre, l'intégration de nombreux composants, tels que l'éclairage de secours ou la technologie des capteurs, une multitude d'autres options sont possibles.

ÜBERSICHT | OVERVIEW | VUE D'ENSEMBLE

TECHNICAL DATA
2700K / 3000K / 4000K / 2700-6500K
CRI>80 / CRI>90
MacAdam ≤ 3
up to 175 lm/W
on-off / DALI
direct / direct + indirect
opal / microprism / office special (UGR <19)

LIFETIME
L80B10 50.000h

OPTIONS
emergency lighting
motion and day-light sensor
many more on demand

HOUSING COLOUR	
schwarz black noir RAL 9005	
silber silver argent RAL 9006	
weiß white blanc RAL 9016	
RAL-Farbe nach Wahl auf Anfrage RAL colour of your choice on demand Couleur RAL de votre choix sur demande	

DECORATION RING COLOUR			
schwarz black noir RAL 9005		schlaggold beaten gold or texturés	
silber silver argent RAL 9006		schlagsilber beaten silver argent texturés	
weiß white blanc RAL 9016		schlagbronze beaten bronze bronze texturés	
RAL-Farbe nach Wahl auf Anfrage RAL colour of your choice on demand Couleur RAL de votre choix sur demande			

LED	CRI >80	CRI >90	IP20/50				
-----	---------	---------	---------	--	--	--	--

HÄNGELEUCHTE „SQUARE90“
 PENDANT LUMINAIRE “SQUARE90”
 LUMINAIRE SUSPENSION « SQUARE90 »

Bestellbeispiel | Example order | Exemple de commande

Y-Suspension, 350 mm, CRI>90, 4000K, direct, low output on/off, white, beaten gold, microprism

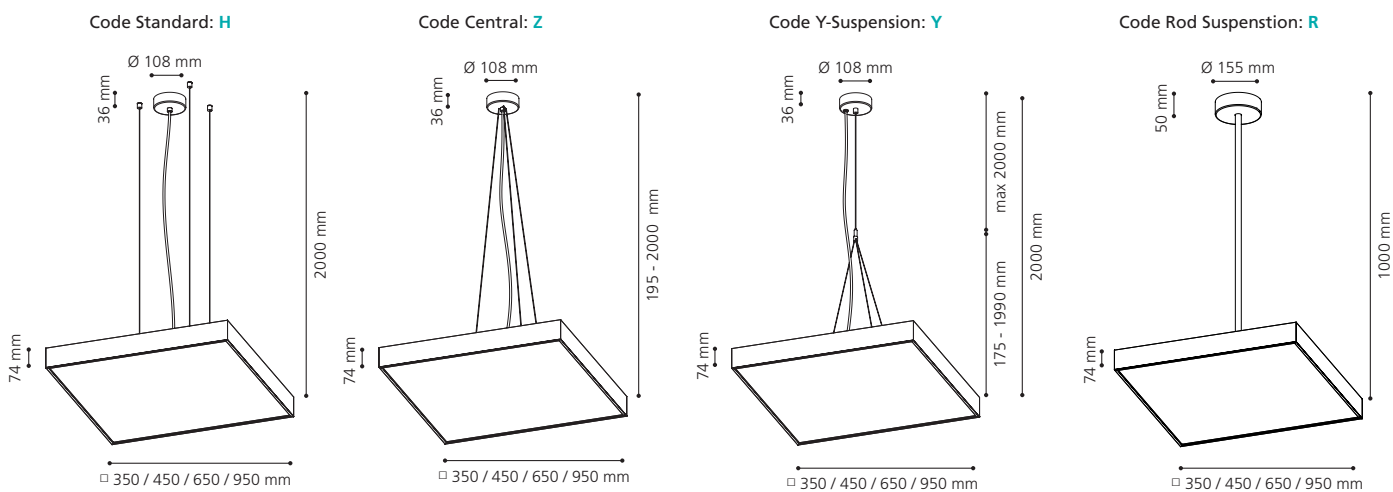
SQ90Y - 359401 - LOWGM

1 2 3 4 5 6 7 8 9

1	ABHÄNGUNG SUSPENSION SUSPENSION	
	Standard	H
	Central	Z
	Y-Suspension	Y
	Rod Suspension	R
2	GRÖSSE SIZE TAILLE	
	350 x 350 mm	35
	450 x 450 mm	45
	650 x 650 mm	65
	950 x 950 mm	95
3	FARBWIEDERGABE COLOUR RENDERING RENDU DES COULEURS	
	CRI>80	8
	CRI>90	9

4	FARBTEMPERATUR COLOUR TEMPERATURE TEMPÉRATURE DE COULEUR	
	2700K (CRI>90 only)	27
	3000K	30
	4000K	40
	2700-6500K (CRI>90 only)	DW
5	LICHTVERTEILUNG LIGHT DISTRIBUTION DISTRIBUTION DE LA LUMIÈRE	
	direct	1
	direct + indirect	2
6	LEISTUNG & STEUERUNG OUTPUT & CONTROL SORTIE & CONTRÔLE	
	low output on/off	LO
	low output DALI	LD
	high output on/off	HO
	high output DALI	HD
	dynamic white DALI DT8	DW

7	GEHÄUSEFARBE HOUSING COLOUR COULEUR DU BOÎTIER	
	black RAL9005	B
	silver RAL9006	S
	white RAL9016	W
8	DEKORRING FARBE DECORATION RING COLOUR BAGUE DÉCORATIVE COULEUR	
	black RAL9005	B
	silver RAL9006	S
	white RAL9016	W
	beaten gold	G
	beaten silver	A
	beaten bronze	C
9	DIFFUSOR DIFFUSER DIFFUSEUR	
	opal	O
	microprism	M
	office special	B



Size [mm]	opal direct		microprism direct		office special direct		opal direct + indirect		microprism direct + indirect		office special direct + indirect		kg
	low output [lm] / [W]	high output [lm] / [W]	low output [lm] / [W]	high output [lm] / [W]	low output [lm] / [W]	high output [lm] / [W]	low output [lm] / [W]	high output [lm] / [W]	low output [lm] / [W]	high output [lm] / [W]	low output [lm] / [W]	high output [lm] / [W]	
□ 350	1.349 / 9,9	2.365 / 16,7	1.256 / 9,9	2.208 / 16,7	1.402 / 9,9	2.470 / 16,7	2.029 / 13,8	3.488 / 23,1	1.923 / 13,8	3.308 / 23,1	2.081 / 13,8	3.579 / 23,1	4,4
□ 450	2.288 / 15,4	4.011 / 26	2.130 / 15,4	3.744 / 26	2.377 / 15,4	4.189 / 26	3.236 / 20,7	5.563 / 34,6	3.067 / 20,7	5.276 / 34,6	3.319 / 20,7	5.709 / 34,6	5,8
□ 650	4.711 / 30,5	8.258 / 51,6	4.385 / 30,5	7.708 / 51,6	4.894 / 30,5	8.624 / 51,6	5.845 / 37	10.048 / 61,8	5.845 / 37	9.530 / 61,8	5.995 / 37	10.312 / 61,8	9,8
□ 950	9.868 / 60,9	17.299 / 102,8	9.187 / 60,9	16.148 / 102,8	10.252 / 60,9	18.067 / 102,8	10.918 / 67,4	18.770 / 112,6	10.348 / 67,4	17.801 / 112,6	11.198 / 67,4	19.262 / 112,6	23,9

Alle Lumenangaben für 4000K, CRI>80, Gehäusefarbe weiß
 All lumen values for 4000K, CRI>80, housing colour white
 Toutes les données de lumens pour 4000K, CRI>80, couleur du boîtier blanc

OVERVIEW

WANDLEUCHTEN | WALL LUMINAIRES | *APPLIQUES MURALES*



LINE40
130



LINE50
132



LINE70
134



ROUND90
136



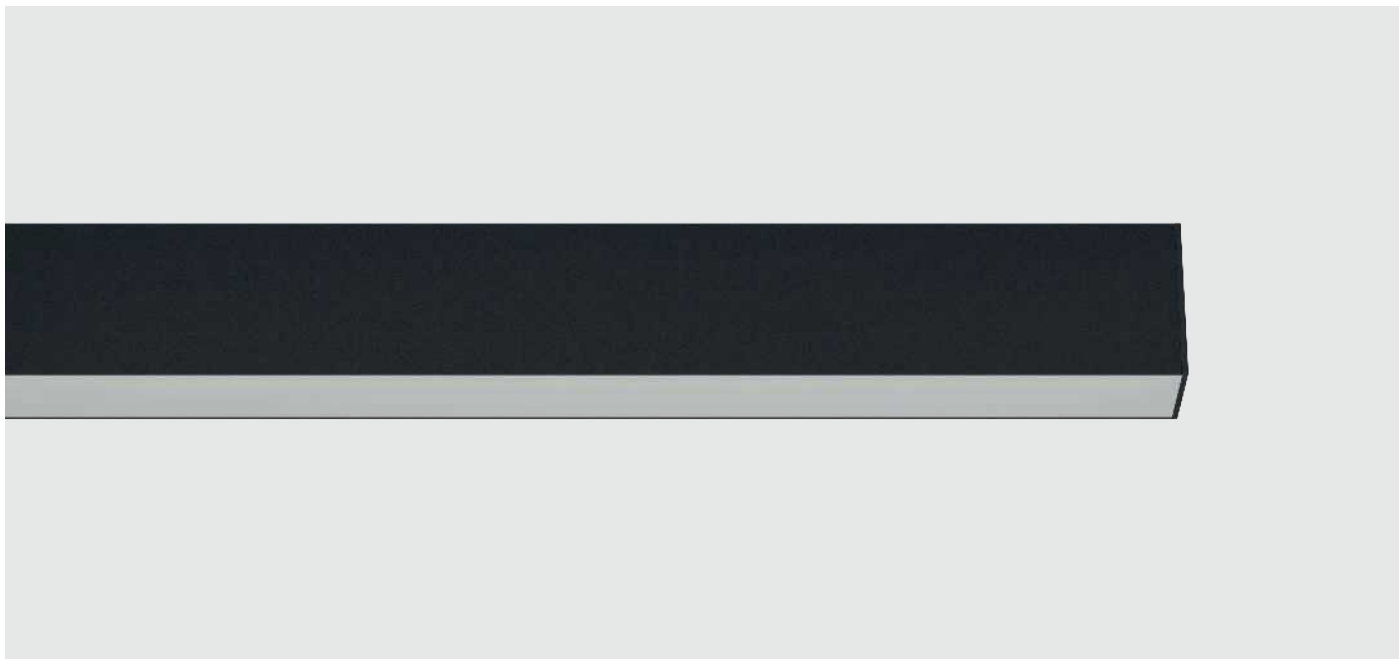
SQUARE90
138

WANDLEUCHTEN

WALL LUMINAIRES
APPLIQUES MURALES

LINE40

WANDLEUCHE | WALL LUMINAIRE | APPLIQUE MURALE







LED-Wandleuchte direktstrahlend oder direkt-indirektstrahlend. Lichtkanal aus Aluminium-Strangpressprofil mit einer Breite von 41 mm. Fertigung der Leuchtenlänge millimetergenau auf Kundenwunsch möglich. Oberfläche der Leuchte feinstruktur matt pulverbeschichtet ähnlich RAL 9016 weiß, RAL 9006 silber oder RAL 9005 schwarz – auf Anfrage in RAL nach Wahl. Diffusor wahlweise in PMMA opal oder PMMA klar mit eingeschobener mikroprismatischer Platte für eine reduzierte Leuchtdichte (UGR<19). Leuchte inkl. speziellem schnellmontage-Wandbaldachin (Montage mittels Stecker und Gegenstecker). Der LED-Treiber ist im Leuchtgehäuse integriert – wahlweise als on/off oder DALI-Variante. Farbtemperaturen 2700K, 3000K, 4000K – Farbwiedergabe CRI>80 oder CRI>90 – Mac Adam ≤3. Weitere Steuerungsoptionen oder Lichtfarben auf Anfrage erhältlich. Außerdem ist die Integration vieler Komponenten, wie beispielsweise Notlicht oder Sensortechnologie, sowie eine Vielzahl weiterer Optionen möglich.

Wall-mounted LED luminaire with direct beam or direct-indirect beam. Light channel made of extruded aluminium profile with a width of 41 mm. Luminaire length can be manufactured to the exact millimetre on customer request. Surface of the luminaire fine structure matt powder coated similar to RAL 9016 white, RAL 9006 silver or RAL 9005 black - on request in RAL of choice. Diffuser either in PMMA opal or PMMA clear with inserted microprismatic plate for reduced luminance (UGR<19). Luminaire incl. special quick-mount wall canopy (mounting with plug and counterplug). The LED driver is integrated in the luminaire housing - either as on/off or DALI version. Colour temperatures 2700K, 3000K, 4000K - colour rendering CRI>80 or CRI>90 - Mac Adam ≤3. Further control options or light colours available on request. In addition, the integration of many components, such as emergency lighting or sensor technology, as well as a variety of other options is possible.

Luminaire LED mural à éclairage direct ou direct-indirect. Canal lumineux en profilé d'aluminium extrudé d'une largeur de 41 mm. Fabrication de la longueur du luminaire au millimètre près possible sur demande du client. Surface du luminaire à structure fine, revêtement par poudre mat similaire à RAL 9016 blanc, RAL 9006 argent ou RAL 9005 noir - sur demande en RAL au choix. Diffuseur au choix en PMMA opale ou en PMMA transparent avec plaque microprismatique insérée pour un éblouissement réduit (UGR<19). Luminaire avec A mural spécial à montage rapide (montage au moyen d'une fiche et d'une contre-fiche). Le pilote LED est intégré dans le boîtier du luminaire - au choix sous forme de variante on/off ou DALI. Températures de couleur 2700K, 3000K, 4000K - Rendu des couleurs CRI>80 ou CRI>90 - Mac Adam ≤3. Autres options de commande ou couleurs de lumière disponibles sur demande. En outre, l'intégration de nombreux composants, tels que l'éclairage de secours ou des capteurs, une multitude d'autres options sont possibles.

ÜBERSICHT | OVERVIEW | VUE D'ENSEMBLE

TECHNICAL DATA
2700K / 3000K / 4000K
CRI>80 / CRI>90
MacAdam ≤ 3
up to 143 lm/W, up to 6.241 lm/m
on-off / DALI
direct / direct + indirect
opal / microprism (UGR <19)

HOUSING COLOUR	
schwarz black noir RAL 9005	
silber silver argent RAL 9006	
weiß white blanc RAL 9016	
RAL-Farbe nach Wahl auf Anfrage RAL colour of your choice on demand Couleur RAL de votre choix sur demande	

LIFETIME
L80B10 50.000h

OPTIONS
emergency lighting
motion and day-light sensor
many more on demand



WANDLEUCHTE „LINE40“
WALL LUMINAIRE “LINE40”
APPLIQUE MURALE « LINE40 »

Bestellbeispiel | Example order | Exemple de commande
 3.372 mm, CRI>90, 4000K, direct + indirect, low output on/off, black, microprism

LI40W - 339402 - LOBLM

1 2 3 4 5 6 7

1 LÄNGE LENGTH LONGEUR	
571 mm	05
851 mm	08
1.131 mm	11
1.271 mm	12
1.411 mm	14
1.691 mm	16
2.251 mm	22
2.531 mm	25
2.812 mm	28
3.372 mm	33
3.792 mm	37

2 FARBWIEDERGABE COLOUR RENDERING RENDU DES COULEURS	
CRI>80	8
CRI>90	9

3 FARBTEMPERATUR COLOUR TEMPERATURE TEMPÉRATURE DE COULEUR	
2700K (CRI>90 only)	27
3000K	30
4000K	40

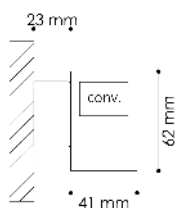
4 LICHTVERTEILUNG LIGHT DISTRIBUTION DISTRIBUTION DE LA LUMIÈRE	
direct	1
direct + indirect	2

5 LEISTUNG & STEUERUNG OUTPUT & CONTROL SORTIE & CONTRÔLE	
low output on/off	LO
low output DALI	LD
high output on/off	HO
high output DALI	HD

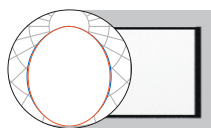
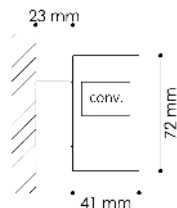
6 GEHÄUSEFARBE HOUSING COLOUR COULEUR DU BOÎTIER	
silver RAL9006	SI
white RAL9016	WH
black RAL9005	BL

7 DIFFUSOR DIFFUSER DIFFUSEUR	
opal	O
microprism	M

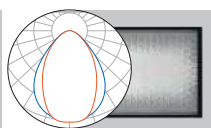
direct



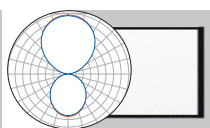
direct + indirect



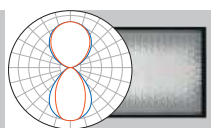
opal direct



microprism direct



opal direct + indirect



microprism direct + indirect

direct

direct + indirect

Size [mm]	opal direct		microprism direct		opal direct + indirect		microprism direct + indirect		direct	direct + indirect
	low output [lm] / [W]	high output [lm] / [W]	low output [lm] / [W]	high output [lm] / [W]	low output [lm] / [W]	high output [lm] / [W]	low output [lm] / [W]	high output [lm] / [W]		
571	852 / 8	1.439 / 17	757 / 8	1.503 / 17	1.797 / 14	3.423 / 29	1.763 / 14	3.433 / 39	1,5	2,2
851	1.136 / 12	2.158 / 23	1.135 / 12	2.254 / 23	2.650 / 20	5.149 / 43	2.644 / 20	5.149 / 43	2,0	2,9
1.131	1.514 / 15	2.879 / 29	1.514 / 15	3.005 / 29	3.535 / 26	6.846 / 55	3.527 / 26	6.866 / 55	2,6	3,7
1.271	1.704 / 17	3.238 / 33	1.703 / 17	3.381 / 33	3.977 / 29	7.702 / 63	3.968 / 29	7.724 / 63	2,8	3,9
1.411	1.893 / 18	3.599 / 35	1.892 / 18	3.757 / 35	4.419 / 32	8.557 / 68	4.408 / 32	8.582 / 68	3,5	4,2
1.691	2.272 / 20	4.318 / 40	2.271 / 20	4.508 / 40	5.303 / 38	10.268 / 82	5.289 / 38	10.298 / 82	4,0	4,7
2.251	3.028 / 27	5.756 / 53	3.028 / 27	6.010 / 53	7.070 / 50	13.692 / 105	7.054 / 50	13.732 / 105	5,0	5,7
2.531	3.408 / 30	6.475 / 60	3.406 / 30	6.762 / 60	7.954 / 56	15.404 / 119	7.936 / 56	15.448 / 119	5,2	5,9
2.812	3.786 / 35	7.198 / 70	3.784 / 35	7.514 / 70	8.838 / 64	17.114 / 136	8.816 / 64	17.164 / 136	6,0	7,8
3.372	4.544 / 41	8.636 / 81	4.542 / 41	9.016 / 81	10.606 / 77	20.536 / 163	10.578 / 77	20.596 / 163	7,6	9,2
3.792	5.112 / 46	9.715 / 91	5.110 / 46	10.143 / 91	11.932 / 87	23.103 / 184	11.900 / 87	23.140 / 184	9,1	10,9

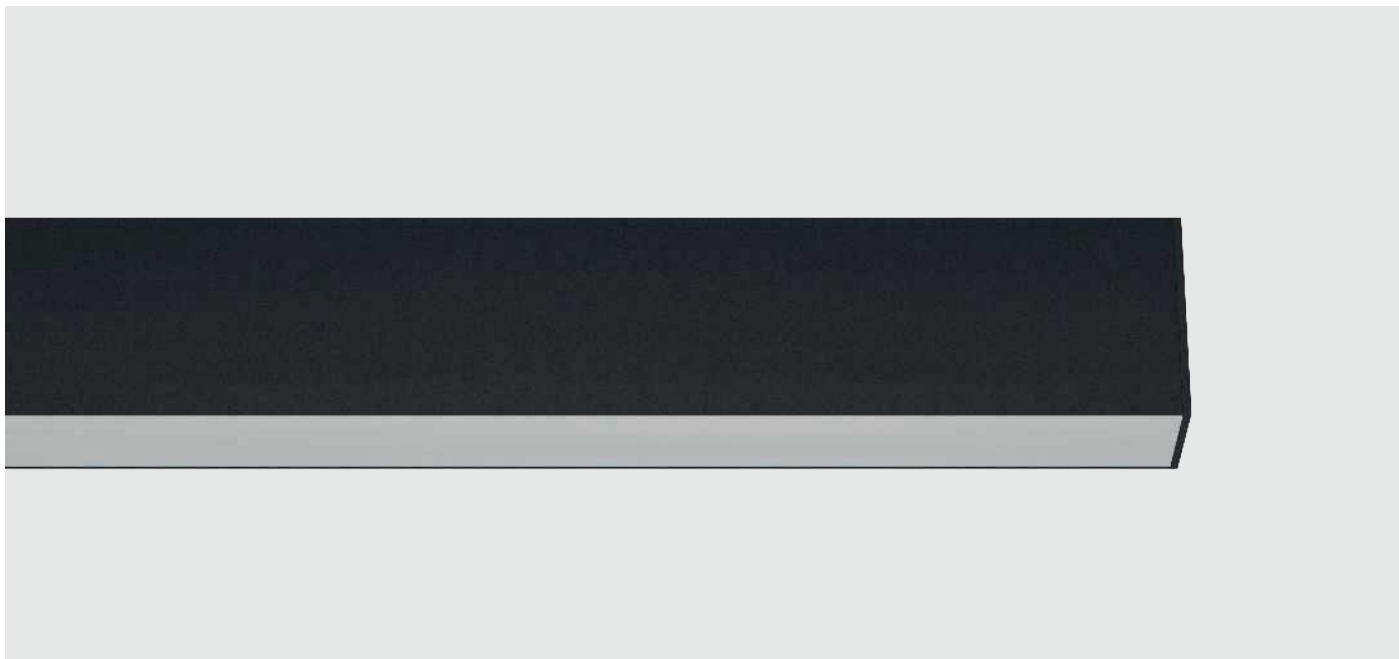
Alle Lumenangaben für 4000K, CRI>80, Microprisma ohne Opalfolie

All lumen values for 4000K, CRI>80, microprism without opal foil

Toutes les données de lumens pour 4000K, CRI>80, microprisme sans feuille opale

LINE50

WANDLEUCHTE | WALL LUMINAIRE | APPLIQUE MURALE



LED-Wandleuchte direktstrahlend oder direkt-indirektstrahlend. Lichtkanal aus Aluminium-Strangpressprofil mit einer Breite von 50 mm. Fertigung der Leuchtenlänge millimetergenau auf Kundenwunsch möglich. Oberfläche der Leuchte feinstruktur matt pulverbeschichtet ähnlich RAL 9016 weiß, RAL 9006 silber oder RAL 9005 schwarz – auf Anfrage in RAL nach Wahl. Diffusor wahlweise in PMMA opal oder PMMA klar mit eingeschobener mikroprismatischer Platte für eine reduzierte Leuchtdichte (UGR<19). Leuchte inkl. speziellem schnellmontage-Wandbaldachin (Montage mittels Stecker und Gegenstecker). Der LED-Treiber ist im Leuchtengehäuse integriert – wahlweise als on/off oder DALI-Variante. Farbtemperaturen 2700K, 3000K, 4000K oder dynamisch Weiß (2700K–6500K) – Farbwiedergabe CRI>80 oder CRI>90 – Mac Adam ≤3. Weitere Steuerungsoptionen oder Lichtfarben auf Anfrage erhältlich. Außerdem ist die Integration vieler Komponenten, wie beispielsweise Notlicht oder Sensortechnologie, sowie eine Vielzahl weiterer Optionen möglich.

Wall-mounted LED luminaire with direct beam or direct-indirect beam. Light channel made of extruded aluminium profile with a width of 50 mm. Luminaire length can be manufactured to the exact millimetre on customer request. Surface of the luminaire fine structure matt powder coated similar to RAL 9016 white, RAL 9006 silver or RAL 9005 black - on request in RAL of choice. Diffuser either in PMMA opal or PMMA clear with inserted microprismatic plate for reduced luminance (UGR<19). Luminaire incl. special quick-mount wall canopy (mounting with plug and counterplug). The LED driver is integrated in the luminaire housing - either as on/off or DALI version. Colour temperatures 2700K, 3000K, 4000K or dynamic white (2700K-6500K) - colour rendering CRI>80 or CRI>90 - Mac Adam ≤3. Further control options or light colours available on request. In addition, the integration of many components, such as emergency lighting or sensor technology, as well as a variety of other options is possible.

Luminaire LED mural à éclairage direct ou direct-indirect. Canal lumineux en profilé d'aluminium extrudé d'une largeur de 50 mm. Fabrication de la longueur du luminaire au millimètre près possible sur demande du client. Surface du luminaire à structure fine, revêtement par poudre mat similaire à RAL 9016 blanc, RAL 9006 argent ou RAL 9005 noir - sur demande en RAL au choix. Diffuseur au choix en PMMA opale ou en PMMA transparent avec plaque microprismatique insérée pour un éblouissement réduit (UGR<19). Luminaire mural spécial à montage rapide (montage au moyen d'une fiche et d'une contre-fiche). Le pilote LED est intégré dans le boîtier du luminaire - au choix sous forme de variante on/off ou DALI. Températures de couleur 2700K, 3000K, 4000K ou blanc dynamique (2700K-6500K) - Rendu des couleurs CRI>80 ou CRI>90 - Mac Adam ≤3. Autres options de commande ou couleurs de lumière disponibles sur demande. En outre, l'intégration de nombreux composants, tels que l'éclairage de secours ou la technologie de détection, une multitude d'autres options sont possibles.

ÜBERSICHT | OVERVIEW | VUE D'ENSEMBLE

TECHNICAL DATA

2700K / 3000K / 4000K / 2700-6500K

CRI>80 / CRI>90

MacAdam ≤ 3

up to 141 lm/W, up to 6.268 lm/m

on-off / DALI

direct / direct + indirect

opal / microprism (UGR <19)

LIFETIME

L80B10 50.000h

OPTIONS

emergency lighting

motion and day-light sensor

many more on demand

HOUSING COLOUR

schwarz | black | noir
RAL 9005



silber | silver | argent
RAL 9006



weiß | white | blanc
RAL 9016



RAL-Farbe nach Wahl auf Anfrage
RAL colour of your choice on demand
Couleur RAL de votre choix sur demande



>80

>90

IP20

DALI

≤3

>50.000 h

WANDLEUCHTE „LINE50“
WALL LUMINAIRE “LINE50”
APPLIQUE MURALE « LINE50 »

Bestellbeispiel | Example order | Exemple de commande
 3.134 mm, CRI>90, 4000K, direct + indirect, low output on/off, black, microprism

LI50W - 319402 - LOBLM

1 2 3 4 5 6 7

1 LÄNGE LENGTH LONGEUR	
612 mm	06
972 mm	09
1.212 mm	12
1.452 mm	14
1.692 mm	16
1.932 mm	19
2.172 mm	21
2.412 mm	24
2.892 mm	28
3.132 mm	31
3.854 mm	38

2 FARBWIEDERGABE COLOUR RENDERING RENDU DES COULEURS	
CRI>80	8
CRI>90	9

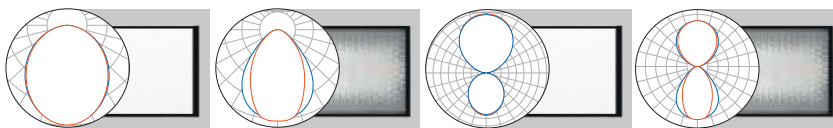
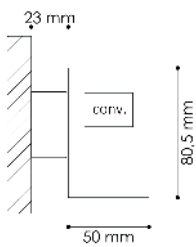
3 FARBTEMPERATUR COLOUR TEMPERATURE TEMPÉRATURE DE COULEUR	
2700K (CRI>90 only)	27
3000K	30
4000K	40
2700-6500K (CRI>90 only)	DW

4 LICHTVERTEILUNG LIGHT DISTRIBUTION DISTRIBUTION DE LA LUMIÈRE	
direct	1
direct + indirect	2

5 LEISTUNG & STEUERUNG OUTPUT & CONTROL SORTIE & CONTRÔLE	
low output on/off	LO
low output DALI	LD
high output on/off	HO
high output DALI	HD
dynamic white DALI DT8	DW

6 GEHÄUSEFARBE HOUSING COLOUR COULEUR DU BOÎTIER	
silver RAL9006	SI
white RAL9016	WH
black RAL9005	BL

7 DIFFUSOR DIFFUSER DIFFUSEUR	
opal	O
microprism	M

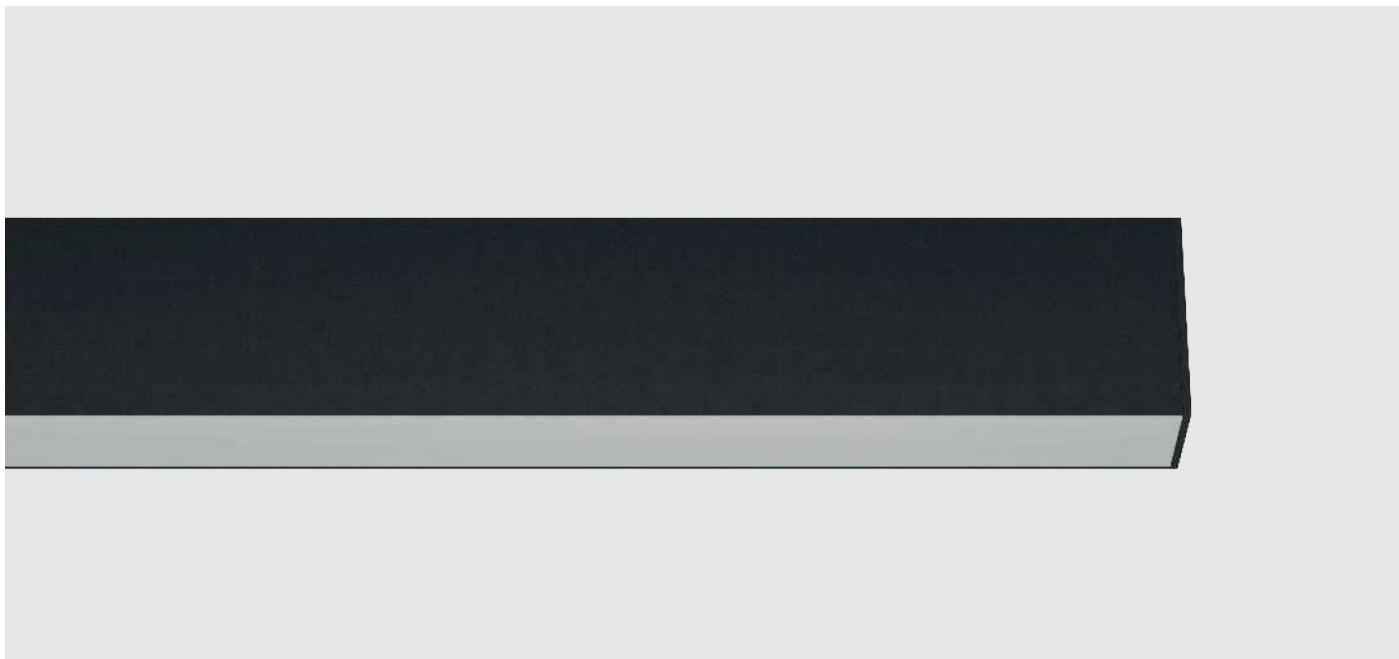


Size [mm]	opal direct		microprism direct		opal direct + indirect		microprism direct + indirect		direct	direct + indirect
	low output [lm] / [W]	high output [lm] / [W]	low output [lm] / [W]	high output [lm] / [W]	low output [lm] / [W]	high output [lm] / [W]	low output [lm] / [W]	high output [lm] / [W]	KG	KG
612	866 / 8,8	1.649 / 16,3	826 / 8,8	1.581 / 16,3	1.962 / 16,3	3.761 / 30	1.923 / 16,3	3.668 / 30	1,5	1,8
972	1386 / 13	2.638 / 25	1.321 / 13	2.530 / 25	3.139 / 23,7	6.018 / 46,3	3.077 / 23,7	5.869 / 46,3	2,3	3
1.212	1.731 / 16,3	3.298 / 30	1.652 / 16,3	3.162 / 30	3.924 / 29,1	7.522 / 57,2	3.845 / 29,1	7.336 / 57,2	2,9	3,6
1.452	2.078 / 18,5	3.958 / 35,8	1.982 / 18,5	3.794 / 35,8	4.709 / 34,5	9.026 / 68,1	4.615 / 34,5	8.803 / 68,1	3,5	4,4
1.692	2.425 / 21,2	4.617 / 41,1	2.313 / 21,2	4.427 / 41,1	5.494 / 39,5	10.531 / 80,8	5.384 / 39,5	10.270 / 80,8	4,1	5,1
1.932	2.772 / 23,7	5.277 / 46,3	2.642 / 23,7	5.059 / 46,3	6.278 / 44,6	12.035 / 91,7	6.154 / 44,6	11.738 / 91,7	4,6	5,8
2.172	3.117 / 26,6	5.936 / 52	2.974 / 26,6	5.692 / 52	7.063 / 49,9	13.540 / 103	6.923 / 49,9	13.205 / 103	5,2	6,5
2.412	3.462 / 29,2	6.596 / 57,3	3.304 / 29,2	6.324 / 57,3	7.848 / 56	15.044 / 113,1	7.690 / 56	14.672 / 113,1	5,8	7,2
2.892	4.156 / 34,3	7.915 / 69,6	3.964 / 34,3	7.589 / 69,6	9.418 / 67	18.053 / 134,8	9.230 / 67	17.606 / 134,8	7,0	8,7
3.132	4.503 / 36,9	8.575 / 75,5	4.295 / 36,9	8.221 / 75,5	10.202 / 72,3	19.557 / 145,3	9.999 / 72,3	19.074 / 145,3	7,5	9,4
3.854	5.544 / 47,4	10.554 / 92,6	5.284 / 47,4	10.118 / 92,6	12.556 / 89,2	24.070 / 183,4	12.308 / 89,2	23.476 / 183,4	9,3	11,7

Alle Lumenangaben für 4000K, CRI>80, Microprisma ohne Opalfolie
 All lumen values for 4000K, CRI>80, microprism without opal foil
 Toutes les données de lumens pour 4000K, CRI>80, microprisme sans feuille opale

LINE70

WANDLEUCHTE | WALL LUMINAIRE | APPLIQUE MURALE



LED-Wandleuchte direktstrahlend oder direkt-indirektstrahlend. Lichtkanal aus Aluminium-Strangpressprofil mit einer Breite von 71 mm. Fertigung der Leuchtenlänge millimetergenau auf Kundenwunsch möglich. Oberfläche der Leuchte feinstruktur matt pulverbeschichtet ähnlich RAL 9016 weiß, RAL 9006 silber oder RAL 9005 schwarz – auf Anfrage in RAL nach Wahl. Diffusor wahlweise in PMMA opal oder PMMA klar mit eingeschobener mikroprismatischer Platte für eine reduzierte Leuchtdichte (UGR<19). Leuchte inkl. speziellem schnellmontage-Wandbaldachin (Montage mittels Stecker und Gegenstecker). Der LED-Treiber ist im Leuchtengehäuse integriert – wahlweise als on/off oder DALI-Variante. Farbtemperaturen 2700K, 3000K, 4000K oder dynamisch Weiß (2700K–6500K) – Farbwiedergabe CRI>80 oder CRI>90 – Mac Adam ≤3. Weitere Steuerungsoptionen oder Lichtfarben auf Anfrage erhältlich. Außerdem ist die Integration vieler Komponenten, wie beispielsweise Notlicht oder Sensortechnologie, sowie eine Vielzahl weiterer Optionen möglich.

Wall-mounted LED luminaire with direct beam or direct-indirect beam. Light channel made of extruded aluminium profile with a width of 71 mm. Luminaire length can be manufactured to the exact millimetre on customer request. Surface of the luminaire fine structure matt powder coated similar to RAL 9016 white, RAL 9006 silver or RAL 9005 black – on request in RAL of choice. Diffuser either in PMMA opal or PMMA clear with inserted microprismatic plate for reduced luminance (UGR<19). Luminaire incl. special quick-mount wall canopy (mounting with plug and counterplug). The LED driver is integrated in the luminaire housing - either as on/off or DALI version. Colour temperatures 2700K, 3000K, 4000K or dynamic white (2700K-6500K) - colour rendering CRI>80 or CRI>90 - Mac Adam ≤3. Further control options or light colours available on request. In addition, the integration of many components, such as emergency lighting or sensor technology, as well as a variety of other options is possible.

Luminaire LED mural à éclairage direct ou direct-indirect. Canal lumineux en profilé d'aluminium extrudé d'une largeur de 71 mm. Possibilité de fabriquer la longueur du luminaire au millimètre près sur demande du client. Surface du luminaire à structure fine, revêtement par poudre mat similaire à RAL 9016 blanc, RAL 9006 argent ou RAL 9005 noir - sur demande en RAL au choix. Diffuseur au choix en PMMA opale ou en PMMA transparent avec plaque microprismatique insérée pour un éblouissement réduit (UGR<19). Luminaire mural spécial à montage rapide (montage au moyen d'une fiche et d'une contre-fiche). Le pilote LED est intégré dans le boîtier du luminaire - au choix sous forme de variante on/off ou DALI. Températures de couleur 2700K, 3000K, 4000K ou blanc dynamique (2700K-6500K) - Rendu des couleurs CRI>80 ou CRI>90 - Mac Adam ≤3. Autres options de commande ou couleurs de lumière disponibles sur demande. En outre, l'intégration de nombreux composants, tels que l'éclairage de secours ou la technologie de détection, une multitude d'autres options sont possibles.

ÜBERSICHT | OVERVIEW | VUE D'ENSEMBLE

TECHNICAL DATA

2700K / 3000K / 4000K / 2700-6500K

CRI>80 / CRI>90

MacAdam ≤ 3

up to 161 lm/W, up to 6.958 lm/m

on-off / DALI

direct / direct + indirect

opal / microprism (UGR <19)

LIFETIME

L80B10 50.000h

OPTIONS

emergency lighting

motion and day-light sensor

many more on demand

HOUSING COLOUR

schwarz | black | noir
RAL 9005



silber | silver | argent
RAL 9006



weiß | white | blanc
RAL 9016



RAL-Farbe nach Wahl auf Anfrage
RAL colour of your choice on demand
Couleur RAL de votre choix sur demande



>80

>90

IP20

DALI

≤3

>50.000 h

WANDLEUCHTE „LINE70“
WALL LUMINAIRE “LINE70”
APPLIQUE MURALE « LINE70 »

Bestellbeispiel | Example order | Exemple de commande
 3.134 mm, CRI>90, 4000K, direct + indirect, low Output on/off, black, microprism

LI70W - 319402 - LOBLM

1 2 3 4 5 6 7

1 LÄNGE LENGTH LONGEUR	
614 mm	06
974 mm	09
1.214 mm	12
1.454 mm	14
1.694 mm	16
1.934 mm	19
2.174 mm	21
2.414 mm	24
2.894 mm	28
3.134 mm	31
3.856 mm	38

2 FARBWIEDERGABE COLOUR RENDERING RENDU DES COULEURS	
CRI>80	8
CRI>90	9

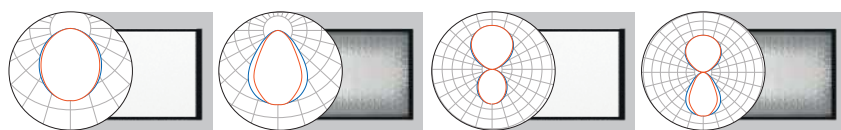
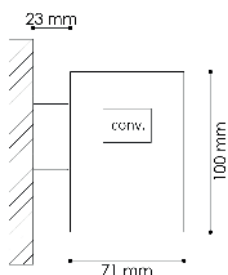
3 FARBTEMPERATUR COLOUR TEMPERATURE TEMPÉRATURE DE COULEUR	
2700K (CRI>90 only)	27
3000K	30
4000K	40
2700-6500K (CRI>90 only)	DW

4 LICHTVERTEILUNG LIGHT DISTRIBUTION DISTRIBUTION DE LA LUMIÈRE	
direct	1
direct + indirect	2

5 LEISTUNG & STEUERUNG OUTPUT & CONTROL SORTIE & CONTRÔLE	
low output on/off	LO
low output DALI	LD
high output on/off	HO
high output DALI	HD
dynamic white DALI DT8	DW

6 GEHÄUSEFARBE HOUSING COLOUR COULEUR DU BOÎTIER	
silver RAL9006	SI
white RAL9016	WH
black RAL9005	BL

7 DIFFUSOR DIFFUSER DIFFUSEUR	
opal	O
microprism	M

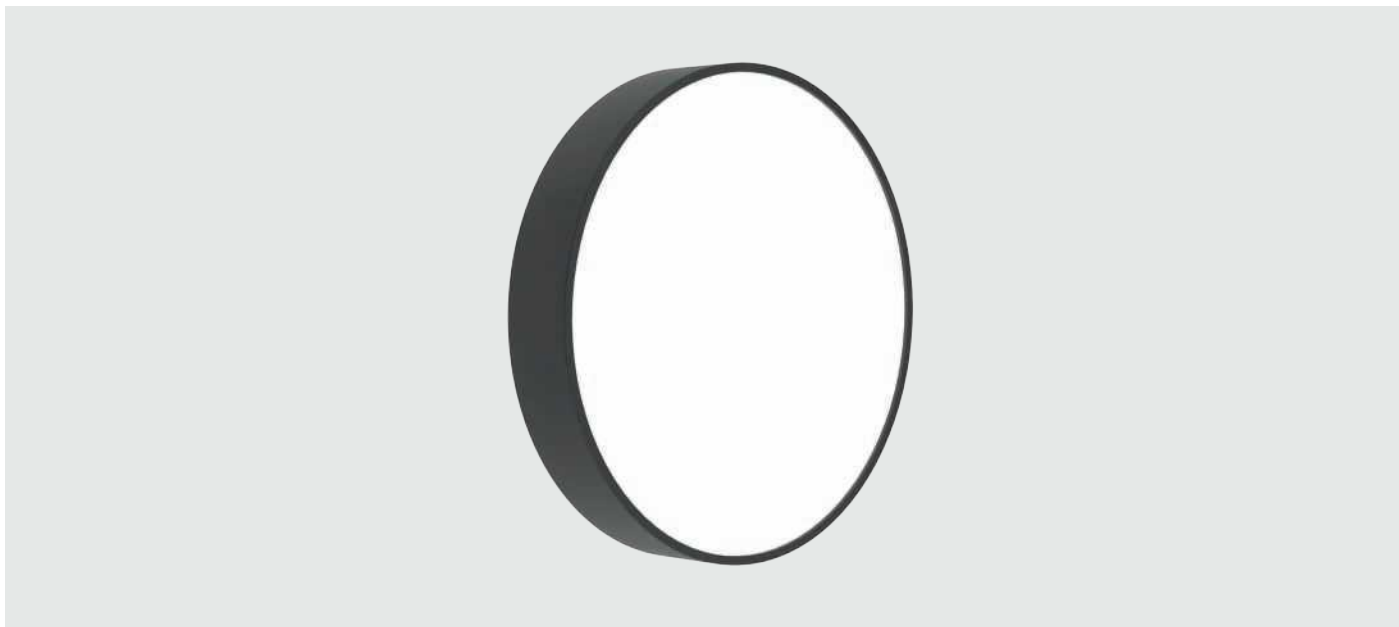


Size [mm]	opal direct		microprism direct		opal direct + indirect		microprism direct + indirect		direct	direct + indirect
	low output [lm] / [W]	high output [lm] / [W]	low output [lm] / [W]	high output [lm] / [W]	low output [lm] / [W]	high output [lm] / [W]	low output [lm] / [W]	high output [lm] / [W]	kg	kg
614	1.077 / 11,8	1.709 / 16,3	1.045 / 11,8	1.608 / 16,3	2.568 / 18,8	4.088 / 30	2.536 / 18,8	3.987 / 30	2,8	2,8
974	1.723 / 15,2	2.734 / 25	1.672 / 15,2	2.573 / 25	4.109 / 28,7	6.541 / 46,3	4.058 / 28,7	6.379 / 46,3	3,8	3,9
1.214	2.154 / 18,8	3.418 / 30	2.090 / 18,8	3.216 / 30	5.136 / 35,4	8.176 / 57,2	5.072 / 35,4	7.974 / 57,2	4,3	4,4
1.454	2.585 / 22,1	4.102 / 35,8	2.508 / 22,1	3.859 / 35,8	6.163 / 41,6	9.811 / 68,1	6.086 / 41,6	9.569 / 68,1	4,9	5,1
1.694	3.016 / 25,5	4.785 / 41,1	2.926 / 25,5	4.502 / 41,1	7.190 / 47,9	11.446 / 80,8	7.100 / 47,9	11.164 / 80,8	5,5	5,7
1.934	3.446 / 28,7	5.469 / 46,3	3.344 / 28,7	5.146 / 46,3	8.218 / 54,5	13.082 / 91,7	8.116 / 54,5	12.758 / 91,7	6,1	6,3
2.174	3.877 / 32	6.152 / 52	3.762 / 32	5.789 / 52	9.245 / 60,8	14.717 / 103	9.130 / 60,8	14.353 / 103	6,7	7,0
2.414	4.308 / 35,4	6.836 / 57,3	4.180 / 35,4	6.432 / 57,3	10.272 / 65,4	16.352 / 113,1	10.144 / 65,4	15.948 / 113,1	7,5	7,7
2.894	5.170 / 41,6	8.203 / 69,6	5.016 / 41,6	7.718 / 69,6	12.326 / 77,4	19.622 / 134,8	12.172 / 77,4	19.138 / 134,8	8,9	9,2
3.134	5.600 / 44,8	8.887 / 75,5	5.434 / 44,8	8.362 / 75,5	13.354 / 83,4	21.258 / 145,3	13.189 / 83,4	20.732 / 145,3	9,5	9,9
3.856	6.892 / 57,4	10.938 / 92,6	6.688 / 57,4	10.292 / 92,6	16.436 / 109	26.164 / 183,4	16.232 / 109	25.516 / 183,4	11,7	12,1

Alle Lumenangaben für 4000K, CRI>80, Microprisma ohne Opalfolie
 All lumen values for 4000K, CRI>80, microprism without opal foil
 Toutes les données de lumens pour 4000K, CRI>80, microprisme sans feuille opale

ROUND90

WANDLEUCHTE | WALL LUMINAIRE | APPLIQUE MURALE



Runde LED-Flächenleuchte zur Wandmontage. Direktstrahlend oder direkt-indirektstrahlend. Gehäuse aus gerolltem Aluminiumprofil, nahtlos verschweißt. Fertigung der Leuchte in vier Durchmesser: 350, 450, 650 und 950 mm mit einer Gesamthöhe von 90 mm. Oberfläche pulverbeschichtet feinstruktur matt ähnlich RAL 9016 weiß, RAL 9006 silber oder RAL 9005 schwarz – auf Anfrage in RAL nach Wahl. Die durchdachte Konstruktion der Leuchte ermöglicht ein Design in zahlreichen Farbkombinationen – zwischen Gehäusefarbe und Dekorring kann beliebig kombiniert werden. Um der Leuchtenfamilie neben den Standardfarben einen dekorativen Touch zu verleihen, steht der Dekorring auch in den strukturierten Spezialoberflächen schlaggold, schlagsilber und schlagbronze zur Auswahl. Diffusor in PMMA wahlweise opal, mikroprismatisch inkl. Streufolie oder nur mikroprismatisch (office special) für eine reduzierte Leuchtdichte (UGR<19). Einfache Montage durch Einschieben des Leuchtgehäuses in den Baldachin. Der LED-Treiber ist im Leuchtgehäuse integriert – wahlweise als on/off oder DALI-Variante. Farbtemperaturen 2700K, 3000K, 4000K oder dynamisch Weiß (2700K–6500K) – Farbwiedergabe CRI>80 oder CRI>90 – Mac Adam ≤3. Weitere Steuerungsoptionen oder Lichtfarben auf Anfrage möglich. Außerdem ist die Integration vieler Komponenten, wie beispielsweise Notlicht oder Sensortechnologie, sowie eine Vielzahl weiterer Optionen möglich.

Round wall-mounted LED luminaire. Direct beam or direct-indirect beam. Housing made of rolled aluminium profile, seamlessly welded. Luminaire manufactured in four diameters: 350, 450, 650 and 950 mm with a total height of 90 mm. Surface powder coated fine structure matt similar to RAL 9016 white, RAL 9006 silver or RAL 9005 black – on request in RAL of choice. The sophisticated construction of the luminaire allows a design in numerous colour combinations – any combination of housing colour and decorative ring is also available in the special textured surfaces beaten gold, beaten silver and beaten bronze. Diffuser in PMMA either opal, microprism incl. diffuser foil or only microprism (office special) for reduced luminance (UGR<19). Easy installation by sliding the luminaire housing into the canopy. The LED driver is integrated in the luminaire housing – either as on/off or DALI version. Colour temperatures 2700K, 3000K, 4000K or dynamic white (2700K-6500K) – colour rendering CRI>80 or CRI>90 – Mac Adam ≤3. Further control options or light colours available on request. In addition, the integration of many components, such as emergency lighting or sensor technology, as well as a variety of other options is possible.

Luminaire LED rond pour montage mural. Éclairage direct ou éclairage direct-indirect. Boîtier en profilé d'aluminium roulé, soudé sans soudure. Fabrication du luminaire en quatre diamètres : 350, 450, 650 et 950 mm avec une hauteur totale de 90 mm. Surface revêtue par poudre à structure fine mate similaire à RAL 9016 blanc, RAL 9006 argent ou RAL 9005 noir – sur demande en RAL au choix. La construction bien pensée du luminaire permet un design dans de nombreuses combinaisons de couleurs – il est possible de combiner à volonté entre la couleur du boîtier et l'anneau décoratif. Pour donner à la famille de luminaires une touche décorative en plus des couleurs standard, l'anneau décoratif est également disponible dans les surfaces spéciales structurées or choc, argent choc et bronze choc. Diffuseur en PMMA au choix opale, microprismatique y compris feuille diffusante ou uniquement microprismatique (office special) pour un éblouissement réduit (UGR<19). Montage facile en insérant le corps du luminaire dans le canopy. Le driver LED est intégré dans le boîtier du luminaire – au choix en version on/off ou DALI. Températures de couleur 2700K, 3000K, 4000K ou blanc dynamique (2700K-6500K) – Rendu des couleurs CRI>80 ou CRI>90 – Mac Adam ≤3. Autres options de commande ou couleurs de lumière possibles sur demande. En outre, l'intégration de nombreux composants, tels que l'éclairage de secours ou la technologie des capteurs, une multitude d'autres options sont possibles.

ÜBERSICHT | OVERVIEW | VUE D'ENSEMBLE

TECHNICAL DATA
2700K / 3000K / 4000K / 2700-6500K
CRI>80 / CRI>90
MacAdam ≤ 3
up to 174 lm/W
on-off / DALI
direct / direct + indirect
opal / microprism / office special (UGR <19)

LIFETIME
L80B10 50.000h

OPTIONS
emergency lighting
motion and day-light sensor
many more on demand



HOUSING COLOUR	
schwarz black noir RAL 9005	
silber silver argent RAL 9006	
weiß white blanc RAL 9016	
RAL-Farbe nach Wahl auf Anfrage RAL colour of your choice on demand Couleur RAL de votre choix sur demande	

DECORATION RING COLOUR			
schwarz black noir RAL 9005		schlaggold beaten gold or texturés	
silber silver argent RAL 9006		schlagsilber beaten silver argent texturés	
weiß white blanc RAL 9016		schlagbronze beaten bronze bronze texturés	
RAL-Farbe nach Wahl auf Anfrage RAL colour of your choice on demand Couleur RAL de votre choix sur demande			

WANDLEUCHTE „ROUND90“
WALL LUMINAIRE "ROUND90"
APPLIQUE MURALE « ROUND90 »

Bestellbeispiel | Example order | Exemple de commande
 350 mm, CRI>90, 4000K, direct, low output on/off, black, beaten gold, microprism

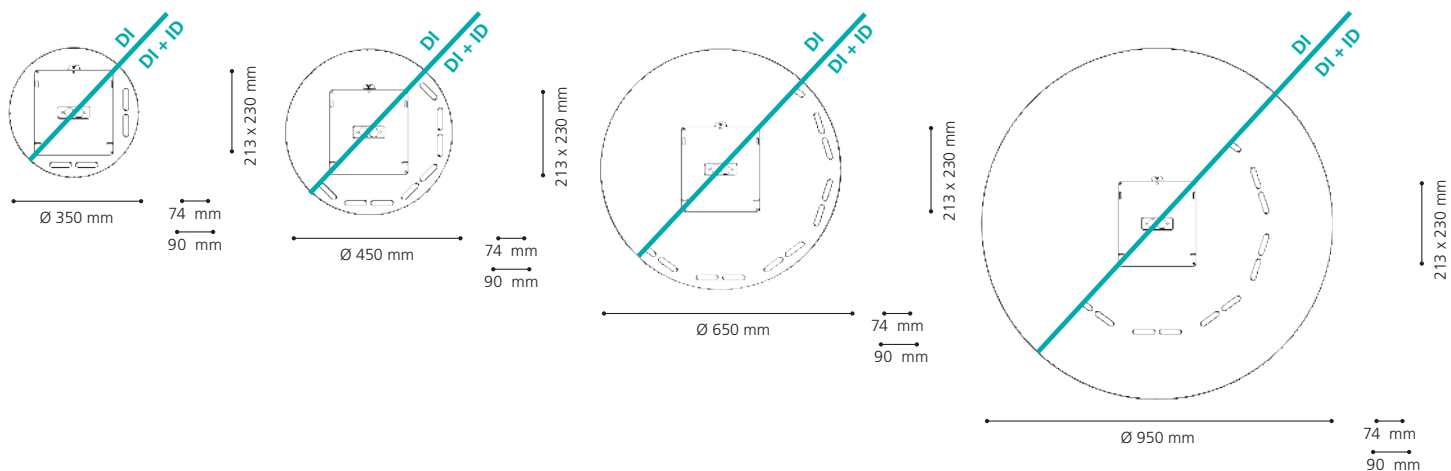
RO90W - 359401 - LOBGM

1 2 3 4 5 6 7 8

1	DURCHMESSER DIAMETER DIAMÈTRE	
	350 mm	35
	450 mm	45
	650 mm	65
	950 mm	95
2	FARBWIEDERGABE COLOUR RENDERING RENDU DES COULEURS	
	CRI>80	8
	CRI>90	9
3	FARBTEMPERATUR COLOUR TEMPERATURE TEMPÉRATURE DE COULEUR	
	2700K (CRI>90 only)	27
	3000K	30
	4000K	40
	2700-6500K (CRI>90 only)	DW

4	LICHTVERTEILUNG LIGHT DISTRIBUTION DISTRIBUTION DE LA LUMIÈRE	
	direct	1
	direct + indirect	2
5	LEISTUNG & STEUERUNG OUTPUT & CONTROL SORTIE & CONTRÔLE	
	low output on/off	LO
	low output DALI	LD
	high output on/off	HO
	high output DALI	HD
	dynamic white DALI DT8	DW
6	GEHÄUSEFARBE HOUSING COLOUR COULEUR DU BOÎTIER	
	silver RAL9006	B
	white RAL9016	S
	black RAL9005	W

7	DEKORRING FARBE DECORATION RING COLOUR BAGUE DÉCORATIVE COULEUR	
	silver RAL9006	B
	white RAL9016	S
	black RAL9005	W
	beaten gold	G
	beaten silver	A
	beaten bronze	C
8	DIFFUSOR DIFFUSER DIFFUSEUR	
	opal	O
	microprism	M
	office special	B

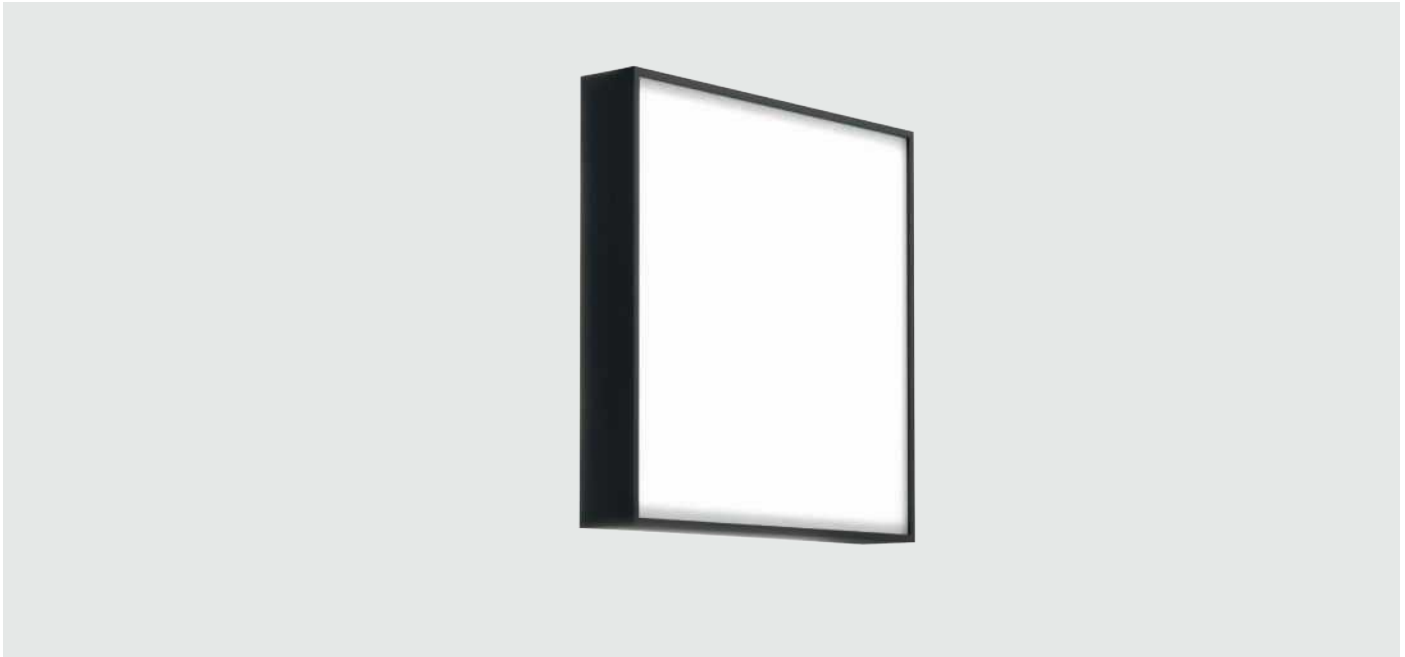


Size [mm]	opal direct		microprism direct		office special direct		opal direct + indirect		microprism direct + indirect		office special direct + indirect		KG
	low output [lm] / [W]	high output [lm] / [W]	low output [lm] / [W]	high output [lm] / [W]	low output [lm] / [W]	high output [lm] / [W]	low output [lm] / [W]	high output [lm] / [W]	low output [lm] / [W]	high output [lm] / [W]	low output [lm] / [W]	high output [lm] / [W]	
Ø 350	1.158 / 8,5	1.826 / 13	1.077 / 8,5	1.697 / 13	1.213 / 8,5	1.905 / 13	1.747 / 12	2.625 / 17,5	1.661 / 12	2.493 / 17,5	1.795 / 12	2.691 / 17,5	3,4
Ø 450	2.257 / 15,5	3.561 / 23,5	2.099 / 15,5	3.309 / 23,5	2.364 / 15,5	3.715 / 23,5	3.207 / 21	4.820 / 30	3.050 / 21	4.577 / 30	3.295 / 21	4.941 / 30	4,0
Ø 650	4.114 / 27	6.489 / 41	3.825 / 27	6.029 / 41	4.309 / 27	6.770 / 41	5.534 / 35	8.317 / 51	5.263 / 35	7.897 / 51	5.687 / 35	8.526 / 51	7,6
Ø 950	9.102 / 57	14.360 / 86	8.466 / 57	13.342 / 86	8.466 / 57	13.342 / 86	11.036 / 68	16.585 / 99	10.494 / 68	15.748 / 99	11.342 / 68	17.004 / 99	19,0

Alle Lumenangaben für 4000K, CRI>80, Gehäusefarbe weiß
 All lumen values for 4000K, CRI>80, housing colour white
 Toutes les données de lumens pour 4000K, CRI>80, couleur du boîtier blanc

SQUARE90

WANDLEUCHTE | WALL LUMINAIRE | APPLIQUE MURALE



Quadratische LED-Flächenleuchte zur Wandmontage. Direktstrahlend oder direkt-indirektstrahlend. Gehäuse aus Aluminiumprofil, nahtlos verschweißt. Fertigung der Leuchte in vier Größen: 350, 450, 650 und 950 mm mit einer Gesamthöhe von 90 mm. Oberfläche pulverbeschichtet feinstruktur matt ähnlich RAL 9016 weiß, RAL 9006 silber oder RAL 9005 schwarz – auf Anfrage in RAL nach Wahl. Die durchdachte Konstruktion der Leuchte ermöglicht ein Design in zahlreichen Farbkombinationen – zwischen Gehäusefarbe und Dekorring kann beliebig kombiniert werden. Um der Leuchtenfamilie neben den Standardfarben einen dekorativen Touch zu verleihen, steht der Dekorring auch in den strukturierten Spezialoberflächen schlaggold, schlagsilber und schlagbronze zur Auswahl. Diffuser in PMMA wahlweise opal, mikroprismatisch inkl. Streufolie oder nur mikroprismatisch (office special) für eine reduzierte Leuchtdichte (UGR<19). Einfache Montage durch Einschließen des Leuchtengehäuses in den Baldachin. Der LED-Treiber ist im Leuchtengehäuse integriert – wahlweise als on/off oder DALI-Variante. Farbtemperaturen 2700K, 3000K, 4000K oder dynamisch Weiß (2700K–6500K) – Farbwiedergabe CRI>80 oder CRI>90 – Mac Adam ≤3. Weitere Steuerungsoptionen oder Lichtfarben auf Anfrage möglich. Außerdem ist die Integration vieler Komponenten, wie beispielsweise Notlicht oder Sensortechnologie, sowie eine Vielzahl weiterer Optionen möglich.

Square wall-mounted LED luminaire. Direct beam or direct-indirect beam. Housing made of aluminium profile, seamlessly welded. Luminaire manufactured in four sizes: 350, 450, 650 and 950 mm with a total height of 90 mm. Surface powder coated fine structure matt similar to RAL 9016 white, RAL 9006 silver or RAL 9005 black - on request in RAL of choice. The sophisticated construction of the luminaire allows a design in numerous colour combinations - any combination of housing colour and decorative ring is possible. To give the luminaire family a decorative touch in addition to the standard colours, the decorative ring is also available in the structured special surfaces of beaten gold, beaten silver and beaten bronze. Diffuser in PMMA either opal, microprism incl. diffuser foil or only microprism (office special) for reduced luminance (UGR<19). Easy mounting by sliding the luminaire housing into the canopy. The LED driver is integrated in the luminaire housing - either as on/off or DALI version. Colour temperatures 2700K, 3000K, 4000K or dynamic white (2700K-6500K) - colour rendering CRI>80 or CRI>90 - Mac Adam ≤3. Further control options or light colours available on request. In addition, the integration of many components, such as emergency lighting or sensor technology, as well as a variety of other options is possible.

Luminaire mural carré LED. Éclairage direct ou direct-indirect. Boîtier en profilé d'aluminium, soudé sans soudure. Fabrication du luminaire en quatre dimensions : 350, 450, 650 et 950 mm avec une hauteur totale de 90 mm. Surface revêtue par poudre à structure fine mate similaire à RAL 9016 blanc, RAL 9006 argent ou RAL 9005 noir - sur demande en RAL au choix. La construction bien pensée du luminaire permet un design dans de nombreuses combinaisons de couleurs - il est possible de combiner à volonté entre la couleur du boîtier et l'anneau décoratif. Pour donner à la famille de luminaires une touche décorative en plus des couleurs standard, l'anneau décoratif est également disponible dans les surfaces spéciales structurées or choc, argent choc et bronze choc. Diffuseur en PMMA au choix opale, microprismatique y compris film diffusant ou uniquement microprismatique (office special) pour un éblouissement réduit (UGR<19). Montage facile en insérant le corps du luminaire dans le canopy. Le driver LED est intégré dans le boîtier du luminaire - au choix en version on/off ou DALI. Températures de couleur 2700K, 3000K, 4000K ou blanc dynamique (2700K-6500K) - Rendu des couleurs CRI>80 ou CRI>90 - Mac Adam ≤3. Autres options de commande ou couleurs de lumière possibles sur demande. En outre, l'intégration de nombreux composants, tels que l'éclairage de secours ou la technologie des capteurs, une multitude d'autres options sont possibles.

ÜBERSICHT | OVERVIEW | VUE D'ENSEMBLE

TECHNICAL DATA

2700K / 3000K / 4000K / 2700-6500K

CRI>80 / CRI>90

MacAdam ≤ 3

up to 175 lm/W

on-off / DALI

direct / direct + indirect

opal / microprism / office special (UGR <19)

LIFETIME

L80B10 50.000h

OPTIONS

emergency lighting

motion and day-light sensor

many more on demand



HOUSING COLOUR

schwarz | black | noir
RAL 9005



silber | silver | argent
RAL 9006



weiß | white | blanc
RAL 9016



RAL-Farbe nach Wahl auf Anfrage
RAL colour of your choice on demand
Couleur RAL de votre choix sur demande



DECORATION RING COLOUR

schwarz | black | noir
RAL 9005



silber | silver | argent
RAL 9006



weiß | white | blanc
RAL 9016



RAL-Farbe nach Wahl auf Anfrage
RAL colour of your choice on demand
Couleur RAL de votre choix sur demande



schlaggold | beaten gold | or texturés



schlagsilber | beaten silver | argent texturés



schlagbronze | beaten bronze | bronze texturés



WANDLEUCHTE „SQARE90“
WALL LUMINAIRE “SQARE90”
APPLIQUE MURALE « SQARE90 »

Bestellbeispiel | Example order | Exemple de commande
 350 mm, CRI>90, 4000K, direct, low output on/off, black, beaten gold, microprism

SQ90W - 359401 - LOBGM

1 2 3 4 5 6 7 8

1 GRÖSSE
SIZE
TAILLE

350 x 350 mm	35
450 x 450 mm	45
650 x 650 mm	65
950 x 950 mm	95

2 FARBWIEDERGABE
COLOUR RENDERING
RENDU DES COULEURS

CRI>80	8
CRI>90	9

3 FARBTEMPERATUR
COLOUR TEMPERATURE
TEMPÉRATURE DE COULEUR

2700K (CRI>90 only)	27
3000K	30
4000K	40
2700-6500K (CRI>90 only)	DW

4 LICHTVERTEILUNG
LIGHT DISTRIBUTION
DISTRIBUTION DE LA LUMIÈRE

direct	1
direct + indirect	2

5 LEISTUNG & STEUERUNG
OUTPUT & CONTROL
SORTIE & CONTRÔLE

low output on/off	LO
low output DALI	LD
high output on/off	HO
high output DALI	HD
dynamic white DALI DT8	DW

6 GEHÄUSEFARBE
HOUSING COLOUR
COULEUR DU BOÎTIER

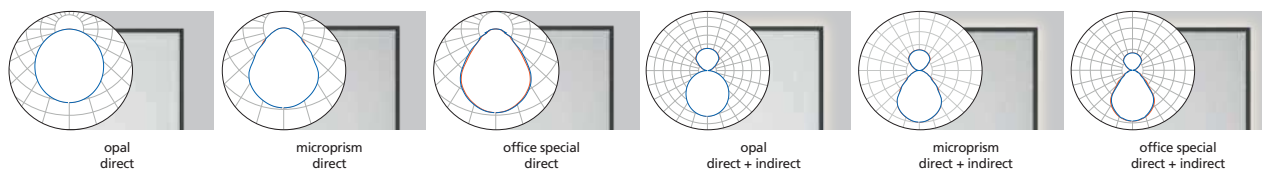
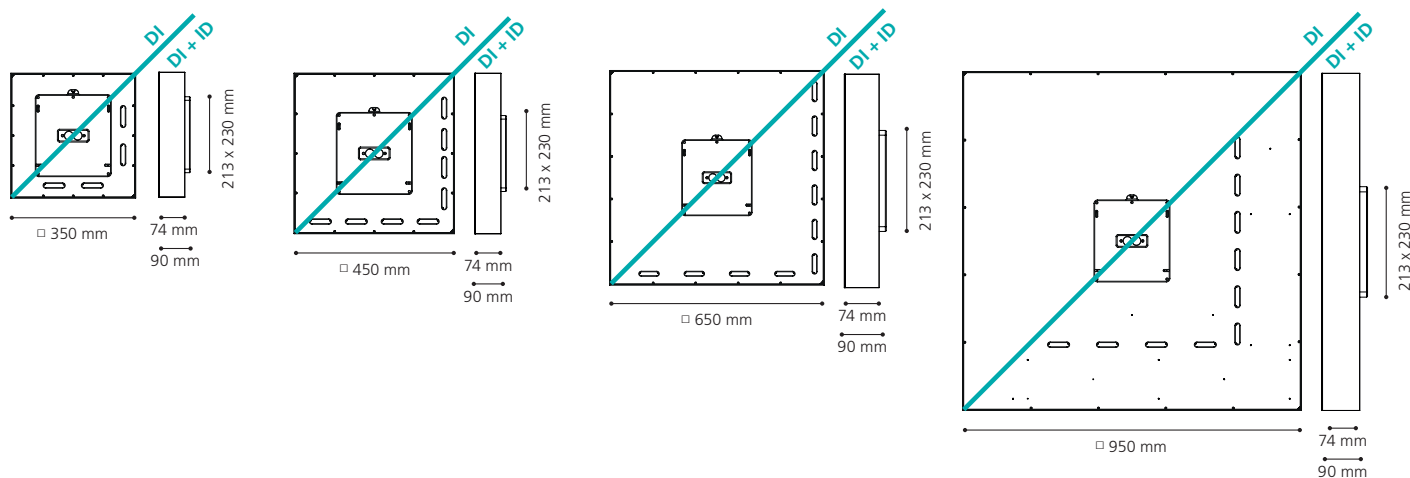
black RAL9005	B
silver RAL9006	S
white RAL9016	W

7 DEKORRING FARBE
DECORATION RING COLOUR
BAGUE DÉCORATIVE COULEUR

black RAL9005	B
silver RAL9006	S
white RAL9016	W
beaten gold	G
beaten silver	A
beaten bronze	C

8 DIFFUSOR
DIFFUSER
DIFFUSEUR

opal	O
microprism	M
office special	B



Size [mm]	opal direct		microprism direct		office special direct		opal direct + indirect		microprism direct + indirect		office special direct + indirect		kg
	low output [lm] / [W]	high output [lm] / [W]	low output [lm] / [W]	high output [lm] / [W]	low output [lm] / [W]	high output [lm] / [W]	low output [lm] / [W]	high output [lm] / [W]	low output [lm] / [W]	high output [lm] / [W]	low output [lm] / [W]	high output [lm] / [W]	
□ 350	1.349 / 9,9	2.365 / 16,7	1.256 / 9,9	2.208 / 16,7	1.402 / 9,9	2.470 / 16,7	2.029 / 13,8	3.488 / 23,1	1.923 / 13,8	3.308 / 23,1	2.081 / 13,8	3.579 / 23,1	3,9
□ 450	2.288 / 15,4	4.011 / 26	2.130 / 15,4	3.744 / 26	2.377 / 15,4	4.189 / 26	3.236 / 20,7	5.563 / 34,6	3.067 / 20,7	5.276 / 34,6	3.319 / 20,7	5.709 / 34,6	5,4
□ 650	4.711 / 30,5	8.258 / 51,6	4.385 / 30,5	7.708 / 51,6	4.894 / 30,5	8.624 / 51,6	5.845 / 37	10.048 / 61,8	5.845 / 37	9.530 / 61,8	5.995 / 37	10.312 / 61,8	9,3
□ 950	9.868 / 60,9	17.299 / 102,8	9.187 / 60,9	16.148 / 102,8	10.252 / 60,9	18.067 / 102,8	10.918 / 67,4	18.770 / 112,6	10.348 / 67,4	17.801 / 112,6	11.198 / 67,4	19.262 / 112,6	23,4

Alle Lumenangaben für 4000K, CRI>80, Gehäusefarbe weiß
 All lumen values for 4000K, CRI>80, housing colour white
 Toutes les données de lumens pour 4000K, CRI>80, couleur du boîtier blanc

OVERVIEW

EINBAULEUCHTEN | RECESSED LUMINAIRES | LUMINAIRES ENCASTRABLES



LINE40
142



LINE50
144



officeLINE50
146



LINE70
148



RING50
150



FLEX50
152



ROUND90
154



designDOT
156



designSQOT
158



techDOT
160



techSQOT
162

EINBAULEUCHTEN

RECESSED LUMINAIRES
LUMINAIRES ENCASTRABLES

LINE40

EINBAULEUCHTE | RECESSED LUMINAIRE | LUMINAIRE ENCASTRABLE



LED-Einbauleuchte mit umlaufendem Rahmen, direktstrahlend. Lichtkanal aus Aluminium-Strangpressprofil mit einer Gesamtbreite von 54 mm. Fertigung der Leuchtenlänge millimetergenau auf Kundenwunsch möglich. Oberfläche der Leuchte feinstruktur matt pulverbeschichtet ähnlich RAL 9016 weiß, RAL 9006 silber oder RAL 9005 schwarz – auf Anfrage in RAL nach Wahl. Diffusor wahlweise in PMMA opal, oder PMMA klar mit eingeschobener mikroprismatischer Platte für eine reduzierte Leuchtdichte (UGR<19). Der LED-Treiber ist im Leuchtgehäuse integriert – wahlweise als on/off oder DALI-Variante. Farbtemperaturen 2700K, 3000K, 4000K – Farbwiedergabe CRI>80 oder CRI>90 – Mac Adam ≤3. Weitere Steuerungsoptionen oder Lichtfarben auf Anfrage erhältlich. Außerdem ist die Integration vieler Komponenten, wie beispielsweise Notlicht oder Sensortechnologie, sowie eine Vielzahl weiterer Optionen möglich.

Recessed LED luminaire with surrounding frame, direct beam. Light channel made of extruded aluminium profile with a total width of 54 mm. Luminaire length can be manufactured to the exact millimetre on customer request. Surface of the luminaire fine structure matt powder coated similar to RAL 9016 white, RAL 9006 silver or RAL 9005 black - on request in RAL of choice. Diffuser either in PMMA opal or PMMA clear with inserted microprismatic plate for reduced luminance (UGR<19). The LED driver is integrated in the luminaire housing - either as on/off or DALI version. Colour temperatures 2700K, 3000K, 4000K - colour rendering CRI>80 or CRI>90 - Mac Adam ≤3. Further control options or light colours available on request. In addition, the integration of many components, such as emergency lighting or sensor technology, as well as a variety of other options is possible.

Luminaire LED encastré avec cadre périphérique à éclairage direct. Canal lumineux en profilé d'aluminium extrudé d'une largeur totale de 54 mm. Fabrication de la longueur du luminaire au millimètre près possible sur demande du client. Surface du luminaire à structure fine, revêtement par poudre mat similaire à RAL 9016 blanc, RAL 9006 argent ou RAL 9005 noir - sur demande en RAL au choix. Diffuseur au choix en PMMA opale ou en PMMA transparent avec plaque microprismatique insérée pour un éblouissement réduit (UGR<19). Le pilote LED est intégré dans le boîtier du luminaire - au choix sous forme de variante on/off ou DALI. Températures de couleur 2700K, 3000K, 4000K - Rendu des couleurs CRI>80 ou CRI>90 - Mac Adam ≤3. Autres options de commande ou couleurs de lumière disponibles sur demande. En outre, l'intégration de nombreux composants, tels que l'éclairage de secours ou des capteurs, une multitude d'autres options sont possibles.

ÜBERSICHT | OVERVIEW | VUE D'ENSEMBLE

TECHNICAL DATA

2700K / 3000K / 4000K

CRI>80 / CRI>90

MacAdam ≤ 3

up to 116 lm/W, up to 2.731 lm/m

on-off / DALI

direct

opal / microprism (UGR <19)

LIFETIME

L80B10 50.000h

OPTIONS

emergency lighting

motion and day-light sensor

many more on demand

HOUSING COLOUR

schwarz | black | noir
RAL 9005



silber | silver | argent
RAL 9006



weiß | white | blanc
RAL 9016



RAL-Farbe nach Wahl auf Anfrage

RAL colour of your choice on demand

Couleur RAL de votre choix sur demande



>80

>90

IP20

DALI

≤3

>50.000 h

ball-proof
DIN18032-3

EINBAULEUCHE „LINE40“
RECESSED LUMINAIRE “LINE40”
LUMINAIRE ENCASTRABLE « LINE40 »

Bestellbeispiel | Example order | Exemple de commande
 3.381 mm, CRI>90, 4000K, **direct**, low output on/off, black, microprism

LI40E - 339401 - LOBLM

1 2 3 4 5 6

1 LÄNGE
LENGTH
LONGEUR

580 mm	05
860 mm	08
1.140 mm	11
1.280 mm	12
1.420 mm	14
1.700 mm	17
2.260 mm	22
2.540 mm	25
2.821 mm	28
3.381 mm	33
3.801 mm	38

2 FARBWIEDERGABE
COLOUR RENDERING
RENDU DES COULEURS

CRI>80	8
CRI>90	9

3 FARBTEMPERATUR
COLOUR TEMPERATURE
TEMPÉRATURE DE COULEUR

2700K (CRI>90 only)	27
3000K	30
4000K	40

4 LEISTUNG & STEUERUNG
OUTPUT & CONTROL
SORTIE & CONTRÔLE

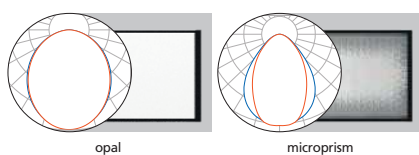
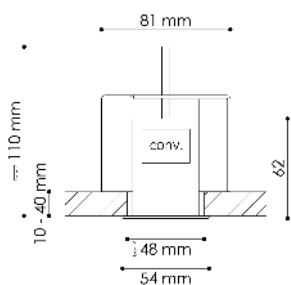
low output on/off	LO
low output DALI	LD
high output on/off	HO
high output DALI	HD


5 GEHÄUSEFARBE
HOUSING COLOUR
COULEUR DU BOÎTIER

silver RAL9006	SI
white RAL9016	WH
black RAL9005	BL

6 DIFFUSOR
DIFFUSER
DIFFUSEUR

opal	O
microprism	M



Size [mm]	low output		high output		
	[lm] / [W]	[lm] / [W]	[lm] / [W]	[lm] / [W]	
580	852 / 8	1.439 / 17	757 / 8	1.503 / 17	1,7
860	1.136 / 12	2.158 / 23	1.135 / 12	2.254 / 23	2,0
1.140	1.514 / 15	2.879 / 29	1.514 / 15	3.005 / 29	2,5
1.280	1.704 / 17	3.238 / 33	1.703 / 17	3.381 / 33	2,7
1.420	1.893 / 18	3.599 / 35	1.892 / 18	3.757 / 35	3,3
1.700	2.272 / 20	4.318 / 40	2.271 / 20	4.508 / 40	3,8
2.260	3.028 / 27	5.756 / 53	3.028 / 27	6.010 / 53	4,6
2.540	3.408 / 30	6.475 / 60	3.406 / 30	6.762 / 60	4,8
2.821	3.786 / 35	7.198 / 70	3.784 / 35	7.514 / 70	6,4
3.381	4.544 / 41	8.636 / 81	4.542 / 41	9.016 / 81	7,3
3.801	5.112 / 46	9.715 / 91	5.110 / 46	10.143 / 91	8,9



CUTOUT

Size [mm]	length [mm]	width [mm]	depth [mm]
580	575	48	110
860	855	48	110
1.140	1.135	48	110
1.280	1.275	48	110
1.420	1.415	48	110
1.700	1.695	48	110
2.260	2.255	48	110
2.540	2.535	48	110
2.821	2.816	48	110
3.381	3.376	48	110
3.801	3.796	48	110

Alle Lumenangaben für 4000K, CRI>80, Microprisma ohne Opalfolie
 All lumen values for 4000K, CRI>80, microprism without opal foil
 Toutes les données de lumens pour 4000K, CRI>80, microprisme sans feuille opale

LINE50

EINBAULEUCHE | RECESSED LUMINAIRE | LUMINAIRE ENCASTRABLE



LED-Einbauleuchte mit umlaufendem Rahmen, direktstrahlend. Lichtkanal aus Aluminium-Strangpressprofil mit einer Gesamtbreite von 63 mm. Fertigung der Leuchtenlänge millimetergenau auf Kundenwunsch möglich. Oberfläche der Leuchte feinstruktur matt pulverbeschichtet ähnlich RAL 9016 weiß, RAL 9006 silber oder RAL 9005 schwarz – auf Anfrage in RAL nach Wahl. Diffusor wahlweise in PMMA opal, PMMA klar mit eingeschobener asymmetrischer Folie oder PMMA klar mit eingeschobener mikroprismatischer Platte für eine reduzierte Leuchtdichte (UGR<19). Der LED-Treiber ist im Leuchtengehäuse integriert – wahlweise als on/off oder DALI-Variante. Farbtemperaturen 2700K, 3000K, 4000K oder dynamisch Weiß (2700K–6500K) – Farbwiedergabe CRI>80 oder CRI>90 – Mac Adam ≤3. Weitere Steuerungsoptionen oder Lichtfarben auf Anfrage erhältlich. Außerdem ist die Integration vieler Komponenten, wie beispielsweise Notlicht oder Sensortechnologie, sowie eine Vielzahl weiterer Optionen möglich.

Recessed LED luminaire with surrounding frame, direct beam. Light channel made of extruded aluminium profile with a total width of 63 mm. Luminaire length can be manufactured to the exact millimetre on customer request. Surface of the luminaire fine structure matt powder coated similar to RAL 9016 white, RAL 9006 silver or RAL 9005 black - on request in RAL of choice. Diffuser either in PMMA opal, PMMA clear with inserted asymmetrical foil or PMMA clear with inserted microprismatic plate for reduced luminance (UGR<19). The LED driver is integrated in the luminaire housing - either as on/off or DALI version. Colour temperatures 2700K, 3000K, 4000K or dynamic white (2700K-6500K) - colour rendering CRI>80 or CRI>90 - Mac Adam ≤3. Further control options or light colours available on request. In addition, the integration of many components, such as emergency lighting or sensor technology, as well as a variety of other options is possible.

Luminaire LED encastré avec cadre périphérique à éclairage direct. Canal lumineux en profilé d'aluminium extrudé d'une largeur totale de 63 mm. Fabrication de la longueur du luminaire au millimètre près possible sur demande du client. Surface du luminaire à structure fine, revêtement par poudre mat similaire à RAL 9016 blanc, RAL 9006 argent ou RAL 9005 noir - sur demande en RAL au choix. Diffuseur au choix en PMMA opale, PMMA transparent avec feuille asymétrique insérée ou PMMA transparent avec plaque microprismatique insérée pour un éblouissement réduit (UGR<19). Le pilote LED est intégré dans le boîtier du luminaire - au choix sous forme de variante on/off ou DALI. Températures de couleur 2700K, 3000K, 4000K ou blanc dynamique (2700K-6500K) - Rendu des couleurs CRI>80 ou CRI>90 - Mac Adam ≤3. Autres options de commande ou couleurs de lumière disponibles sur demande. En outre, l'intégration de nombreux composants, tels que l'éclairage de secours ou la technologie de détection, une multitude d'autres options sont possibles.

ÜBERSICHT | OVERVIEW | VUE D'ENSEMBLE

TECHNICAL DATA

2700K / 3000K / 4000K / 2700-6500K

CRI>80 / CRI>90

MacAdam ≤ 3

up to 122 lm/W, up to 2.766 lm/m

on-off / DALI

direct

opal / microprism (UGR <19)

HOUSING COLOUR

schwarz | black | noir
RAL 9005

silber | silver | argent
RAL 9006

weiß | white | blanc
RAL 9016

RAL-Farbe nach Wahl auf Anfrage
RAL colour of your choice on demand
Couleur RAL de votre choix sur demande

LIFETIME

L80B10 50.000h

OPTIONS

emergency lighting

motion and day-light sensor

many more on demand

LED

CRI

>80

CRI

>90

IP20

DALI

SDCM

≤3

>50.000 h

ball-proof

DIN18032-3

EINBAULEUCHE „LINE50“
RECESSED LUMINAIRE “LINE50”
LUMINAIRE ENCASTRABLE « LINE50 »

Bestellbeispiel | Example order | Exemple de commande
 3.152 mm, CRI>90, 4000K, **direct**, low output on/off, black, microprism

LI50E - 319401 - LOBLM

1 2 3 4 5 6

1 LÄNGE
LENGTH
LONGEUR

621 mm	06
981 mm	09
1.221 mm	12
1.461 mm	14
1.701 mm	17
1.941 mm	19
2.181 mm	21
2.421 mm	24
2.901 mm	29
3.141 mm	31
3.863 mm	38

2 FARBWIEDERGABE
COLOUR RENDERING
RENDU DES COULEURS

CRI>80	8
CRI>90	9

3 FARBTEMPERATUR
COLOUR TEMPERATURE
TEMPÉRATURE DE COULEUR

2700K (CRI>90 only)	27
3000K	30
4000K	40
2700-6500K (CRI>90 only)	DW

4 LEISTUNG & STEUERUNG
OUTPUT & CONTROL
SORTIE & CONTRÔLE

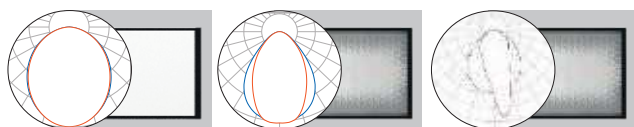
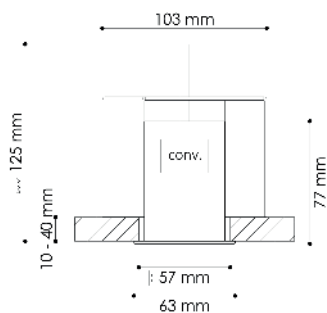
low output on/off	LO
low output DALI	LD
high output on/off	HO
high output DALI	HD
dynamic white DALI DT8	DW

5 GEHÄUSEFARBE
HOUSING COLOUR
COULEUR DU BOÎTIER

silver RAL9006	SI
white RAL9016	WH
black RAL9005	BL

6 DIFFUSOR
DIFFUSER
DIFFUSEUR

opal	O
microprism	M
asymmetric	A



opal direct

microprism direct

asymmetric direct

Size [mm]	low output [lm] / [W]	high output [lm] / [W]	low output [lm] / [W]	high output [lm] / [W]	low output [lm] / [W]	high output [lm] / [W]	kg
621	866 / 8,8	1.649 / 16,3	826 / 8,8	1.581 / 16,3	867 / 8,8	1.660 / 16,3	1,5
981	1.386 / 13	2.638 / 25	1.321 / 13	2.530 / 25	1.387 / 13	2.656 / 25	2,3
1.221	1.731 / 16,3	3.298 / 30	1.652 / 16,3	3.162 / 30	1.735 / 16,3	3.320 / 30	2,9
1.461	2.078 / 18,5	3.958 / 35,8	1.982 / 18,5	3.794 / 35,8	2.081 / 18,5	3.984 / 35,8	3,5
1.701	2.425 / 21,2	4.617 / 41,1	2.313 / 21,2	4.427 / 41,1	2.429 / 21,2	4.648 / 41,1	4,1
1.941	2.772 / 23,7	5.277 / 46,3	2.642 / 23,7	5.059 / 46,3	2.774 / 23,7	5.312 / 46,3	4,6
2.181	3.117 / 26,6	5.936 / 52	2.974 / 26,6	5.692 / 52	3.123 / 26,6	5.977 / 52	5,2
2.421	3.462 / 29,2	6.596 / 57,3	3.304 / 29,2	6.324 / 57,3	3.469 / 29,2	6.640 / 57,3	5,8
2.901	4.156 / 34,3	7.915 / 69,6	3.964 / 34,3	7.589 / 69,6	4.162 / 34,3	7.968 / 69,6	7
3.141	4.503 / 36,9	8.575 / 75,5	4.295 / 36,9	8.221 / 75,5	4.510 / 36,9	8.632 / 75,5	7,5
3.863	5.544 / 47,4	10.554 / 92,6	5.284 / 47,4	10.118 / 92,6	5.548 / 47,4	10.624 / 92,6	9,3



CUTOUT

Size [mm]	length [mm]	width [mm]	depth [mm]
621	616	57	125
981	976	57	125
1.221	1.216	57	125
1.461	1.456	57	125
1.701	1.696	57	125
1.941	1.936	57	125
2.181	2.176	57	125
2.421	2.416	57	125
2.901	2.896	57	125
3.141	3.136	57	125
3.863	3.858	57	125

Alle Lumenangaben für 4000K, CRI>80, Microprisma ohne Opalfolie

All lumen values for 4000K, CRI>80, microprism without opal foil

Toutes les données de lumens pour 4000K, CRI>80, microprisme sans feuille opale

officeLINE50

Einbauleuchte | Recessed Luminaire | Luminaire Encastrable



LED-Einbauleuchte mit umlaufendem Rahmen, direktstrahlend. Lichtkanal aus Aluminium-Strangpressprofil mit einer Gesamtbreite von 63 mm. Fertigung der Leuchtenlänge millimetergenau auf Kundenwunsch möglich. Oberfläche der Leuchte feinstruktur matt pulverbeschichtet ähnlich RAL 9016 weiß, RAL 9006 silber oder RAL 9005 schwarz – auf Anfrage in RAL nach Wahl. Die Leuchte ist ausgestattet mit einem hochwertigen, facettierten BAP-Raster mit einer Auswahl an sieben verschiedenen Farben – Oberfläche hochglänzend bzw. matt. Der LED-Treiber ist im Leuchtgehäuse integriert – wahlweise als on/off oder DALI-Variante. Farbtemperaturen 2700K, 3000K, 4000K oder dynamisch Weiß (2700K–6500K) –Farbwiedergabe CRI>80 oder CRI>90 – Mac Adam ≤3. Weitere Steuerungsoptionen oder Lichtfarben auf Anfrage erhältlich. Außerdem ist die Integration vieler Komponenten, wie beispielsweise Notlicht oder Sensortechnologie, sowie eine Vielzahl weiterer Optionen möglich.

Recessed LED luminaire with surrounding frame, direct beam. Light channel made of extruded aluminium profile with a total width of 63 mm. Luminaire length can be manufactured to the exact millimetre on customer request. Surface of the luminaire fine structure matt powder coated similar to RAL 9016 white, RAL 9006 silver or RAL 9005 black - on request in RAL of choice. The luminaire is equipped with a high-quality, faceted BAP louvre with a choice of seven different colours - specular or matt finish. The LED driver is integrated in the luminaire housing - either as on/off or DALI version. Colour temperatures 2700K, 3000K, 4000K or dynamic white (2700K-6500K) - Colour rendering CRI>80 or CRI>90 - Mac Adam ≤3. Further control options or light colours available on request. In addition, the integration of many components, such as emergency lighting or sensor technology, as well as a variety of other options is possible.

Luminaire LED encastré avec cadre périphérique à éclairage direct. Canal lumineux en profilé d'aluminium extrudé d'une largeur totale de 63 mm. Fabrication de la longueur du luminaire au millimètre près possible sur demande du client. Surface du luminaire à structure fine matte revêtue par poudre similaire à RAL 9016 blanc, RAL 9006 argent ou RAL 9005 noir - sur demande en RAL au choix. Le luminaire est équipé d'une grille BAP à facettes de haute qualité avec un choix de sept couleurs différentes - surface brillante ou mate. Le pilote LED est intégré dans le boîtier du luminaire - au choix sous forme de variante on/off ou DALI. Températures de couleur 2700K, 3000K, 4000K ou blanc dynamique (2700K-6500K) -Rendu des couleurs CRI>80 ou CRI>90 - Mac Adam ≤3. Autres options de commande ou couleurs de lumière disponibles sur demande. En outre, l'intégration de nombreux composants, tels que l'éclairage de secours ou la technologie de détection, une multitude d'autres options sont possibles.

ÜBERSICHT | OVERVIEW | VUE D'ENSEMBLE

TECHNICAL DATA

2700K / 3000K / 4000K / 2700-6500K

CRI>80 / CRI>90

MacAdam ≤ 3

up to 147 lm/W, up to 4.422 lm/m

on-off / DALI

direct

BAP-Louvre (UGR <19)

LIFETIME

L80B10 50.000h

OPTIONS

emergency lighting

motion and day-light sensor

many more on demand



>80

>90

IP20

DALI

≤3

>50.000 h

HOUSING COLOUR

schwarz | black | noir
RAL 9005



silber | silver | argent
RAL 9006



weiß | white | blanc
RAL 9016



RAL-Farbe nach Wahl auf Anfrage
RAL colour of your choice on demand
Couleur RAL de votre choix sur demande



BAP LOUVRE COLOUR

silber hochglanz | silver specular | argenté brillant



gold hochglanz | gold specular | doré brillant



silber matt | silver matt | argenté mat



bronze hochglanz | bronze specular | bronze brillant



schwarz hochglanz | black specular | noir brillant



titan hochglanz | titan specular | titan brillant



schwarz matt | black matt | noir mat



EINBAULEUCHE „officeLINE50“
RECESSED LUMINAIRE “officeLINE50”
LUMINAIRE ENCASTRABLE « officeLINE50 »

Bestellbeispiel | Example order | Exemple de commande
 3.379 mm, CRI>90, 4000K, **direct**, low output on/off, black, gold specular

OL50E - 339401 - LOBLG

1 2 3 4 5 6

1 LÄNGE LENGTH LONGEUR	
498 mm	04
978 mm	09
1.218 mm	12
1.458 mm	14
1.698 mm	16
2.178 mm	21
2.898 mm	28
3.379 mm	33

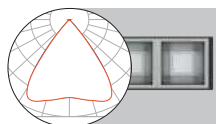
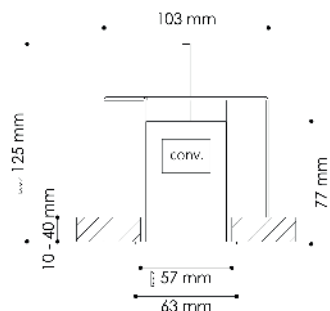
2 FARBWIEDERGABE COLOUR RENDERING RENDU DES COULEURS	
CRI>80	8
CRI>90	9

3 FARBTEMPERATUR COLOUR TEMPERATURE TEMPÉRATURE DE COULEUR	
2700K (CRI>90 only)	27
3000K	30
4000K	40
2700-6500K (CRI>90 only)	DW

4 LEISTUNG & STEUERUNG OUTPUT & CONTROL SORTIE & CONTRÔLE	
low output on/off	LO
low output DALI	LD
high output on/off	HO
high output DALI	HD
dynamic white DALI DT8	DW

5 GEHÄUSEFARBE HOUSING COLOUR COULEUR DU BOÎTIER	
silver RAL9006	SI
white RAL9016	WH
black RAL9005	BL

6 BAP-RASTER FARBE BAP LOUVRE COLOUR GRILLE BAP COULEUR	
silver specular	S
silver matt	M
black specular	N
black matt	B
gold specular	G
bronze specular	C
titan specular	T



direct

Size [mm]	low output [lm] / [W]	high output [lm] / [W]	
498	1.106 / 8,8	2.064 / 16,7	1,6
978	2.212 / 17,1	4.128 / 32,3	2,5
1.218	2.765 / 20,5	5.160 / 39,4	2,9
1.458	3.318 / 24	6.192 / 46,5	3,4
1.698	3.871 / 27,6	7.224 / 53,8	4,0
2.178	4.977 / 34,6	9.288 / 67,7	4,9
2.898	6.636 / 44,8	12.384 / 88,9	6,4
3.379	7.742 / 55,2	14.448 / 107,6	7,7



CUTOUT

Size [mm]	length [mm]	width [mm]	depth [mm]
498	493	57	125
978	973	57	125
1.218	1.213	57	125
1.458	1.453	57	125
1.698	1.693	57	125
2.178	2.173	57	125
2.898	2.893	57	125
3.379	3.374	57	125

Alle Lumenangaben für 4000K, CRI>80, Reflektor silber hochglanz
 All lumen values for 4000K, CRI>80, reflector silver specular
 Toutes les données de lumens pour 4000K, CRI>80, réflecteur argenté brillant

LINE70

EINBAULEUCHE | RECESSED LUMINAIRE | LUMINAIRE ENCASTRABLE



LED-Einbauleuchte mit umlaufendem Rahmen direktstrahlend. Lichtkanal aus Aluminium-Strangpressprofil mit einer Gesamtbreite von 88 mm. Fertigung der Leuchtenlänge millimetergenau auf Kundenwunsch möglich. Oberfläche der Leuchte feinstruktur matt pulverbeschichtet ähnlich RAL 9016 weiß, RAL 9006 silber oder RAL 9005 schwarz – auf Anfrage in RAL nach Wahl. Diffusor wahlweise in PMMA opal oder PMMA klar mit eingeschobener mikroprismatischer Platte für eine reduzierte Leuchtdichte (UGR<19). Der LED-Treiber ist im Leuchtengehäuse integriert – wahlweise als on/off oder DALI-Variante. Farbtemperaturen 2700K, 3000K, 4000K oder dynamisch Weiß (2700K–6500K) – Farbwiedergabe CRI>80 oder CRI>90 – Mac Adam ≤3. Weitere Steuerungsoptionen oder Lichtfarben auf Anfrage erhältlich. Außerdem ist die Integration vieler Komponenten, wie beispielsweise Notlicht oder Sensortechnologie, sowie eine Vielzahl weiterer Optionen möglich.

Recessed LED luminaire with surrounding frame, direct beam. Light channel made of extruded aluminium profile with a total width of 88 mm. Luminaire length can be manufactured to the exact millimetre on customer request. Surface of the luminaire fine structure matt powder coated similar to RAL 9016 white, RAL 9006 silver or RAL 9005 black - on request in RAL of choice. Diffuser either in PMMA opal or PMMA clear with inserted microprismatic plate for reduced luminance (UGR<19). The LED driver is integrated in the luminaire housing - either as on/off or DALI version. Colour temperatures 2700K, 3000K, 4000K or dynamic white (2700K-6500K) - colour rendering CRI>80 or CRI>90 - Mac Adam ≤3. Further control options or light colours available on request. In addition, the integration of many components, such as emergency lighting or sensor technology, as well as a variety of other options is possible.

Luminaire de surface LED encastré avec cadre périphérique à éclairage direct. Canal lumineux en profilé d'aluminium extrudé d'une largeur totale de 88 mm. Fabrication de la longueur du luminaire au millimètre près possible sur demande du client. Surface du luminaire à structure fine, revêtement par poudre mat similaire à RAL 9016 blanc, RAL 9006 argent ou RAL 9005 noir - sur demande en RAL au choix. Diffuseur au choix en PMMA opale ou en PMMA transparente avec plaque microprismatique insérée pour un éblouissement réduit (UGR<19). Le pilote LED est intégré dans le boîtier du luminaire - au choix sous forme de variante on/off ou DALI. Températures de couleur 2700K, 3000K, 4000K ou blanc dynamique (2700K-6500K) - Rendu des couleurs CRI>80 ou CRI>90 - Mac Adam ≤3. Autres options de commande ou couleurs de lumière disponibles sur demande. En outre, l'intégration de nombreux composants, tels que l'éclairage de secours ou la technologie de détection, une multitude d'autres options sont possibles.

ÜBERSICHT | OVERVIEW | VUE D'ENSEMBLE

TECHNICAL DATA

2700K / 3000K / 4000K / 2700-6500K

CRI>80 / CRI>90

MacAdam ≤ 3

up to 137 lm/W, up to 2.848 lm/m

on-off / DALI

direct

opal / microprism (UGR <19)

LIFETIME

L80B10 50.000h

OPTIONS

emergency lighting

motion and day-light sensor

many more on demand

HOUSING COLOUR

schwarz | black | noir
RAL 9005



silber | silver | argent
RAL 9006



weiß | white | blanc
RAL 9016



RAL-Farbe nach Wahl auf Anfrage

RAL colour of your choice on demand

Couleur RAL de votre choix sur demande



>80

>90

IP20

DALI

≤3

>50.000 h

EINBAULEUCHE „LINE70“
RECESSED LUMINAIRE “LINE70”
LUMINAIRE ENCASTRABLE « LINE70 »

Bestellbeispiel | Example order | Exemple de commande
 3.152 mm, CRI>90, 4000K, **direct**, low output on/off, black, microprism

LI70E - 319401 - LOBLM

1 2 3 4 5 6

1 LÄNGE
LENGTH
LONGEUR

632 mm	06
992 mm	09
1.232 mm	12
1.472 mm	14
1.712 mm	17
1.952 mm	19
2.192 mm	21
2.432 mm	24
2.912 mm	29
3.152 mm	31
3.874 mm	38

2 FARBWIEDERGABE
COLOUR RENDERING
RENDU DES COULEURS

CRI>80	8
CRI>90	9

3 FARBTEMPERATUR
COLOUR TEMPERATURE
TEMPÉRATURE DE COULEUR

2700K (CRI>90 only)	27
3000K	30
4000K	40
2700-6500K (CRI>90 only)	DW

4 LEISTUNG & STEUERUNG
OUTPUT & CONTROL
SORTIE & CONTRÔLE

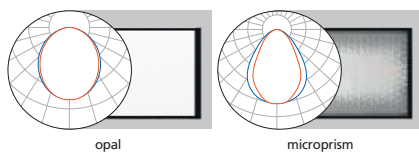
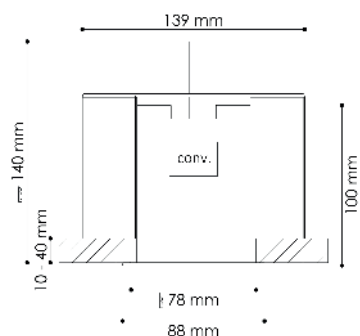
low output on/off	LO
low output DALI	LD
high output on/off	HO
high output DALI	HD
dynamic white DALI DT8	DW


5 GEHÄUSEFARBE
HOUSING COLOUR
COULEUR DU BOÎTIER

silver RAL9006	SI
white RAL9016	WH
black RAL9005	BL

6 DIFFUSOR
DIFFUSER
DIFFUSEUR

opal	O
microprism	M



Size [mm]	low output		high output		
	[lm] / [W]	[lm] / [W]	[lm] / [W]	[lm] / [W]	
632	1.077 / 11,8	1.709 / 16,3	1.045 / 11,8	1.608 / 16,3	2,5
992	1.723 / 15,2	2.734 / 25,0	1.672 / 15,2	2.573 / 25,0	3,4
1.232	2.154 / 18,8	3.418 / 30,0	2.090 / 18,8	3.216 / 30,0	3,9
1.472	2.585 / 22,1	4.102 / 35,8	2.508 / 22,1	3.859 / 35,8	4,5
1.712	3.016 / 25,5	4.785 / 41,1	2.926 / 25,5	4.502 / 41,1	5,2
1.952	3.446 / 28,7	5.469 / 46,3	3.344 / 28,7	5.146 / 46,3	5,8
2.192	3.877 / 32,0	6.152 / 52,0	3.762 / 32,0	5.789 / 52,0	6,6
2.432	4.308 / 35,4	6.836 / 57,3	4.180 / 35,4	6.432 / 57,3	7,2
2.912	5.170 / 41,6	8.203 / 69,6	5.016 / 41,6	7.718 / 69,6	8,5
3.152	5.600 / 44,8	8.887 / 75,5	5.434 / 44,8	8.362 / 75,5	9,2
3.874	6.892 / 57,4	10.938 / 92,6	6.688 / 57,4	10.292 / 92,6	11,4



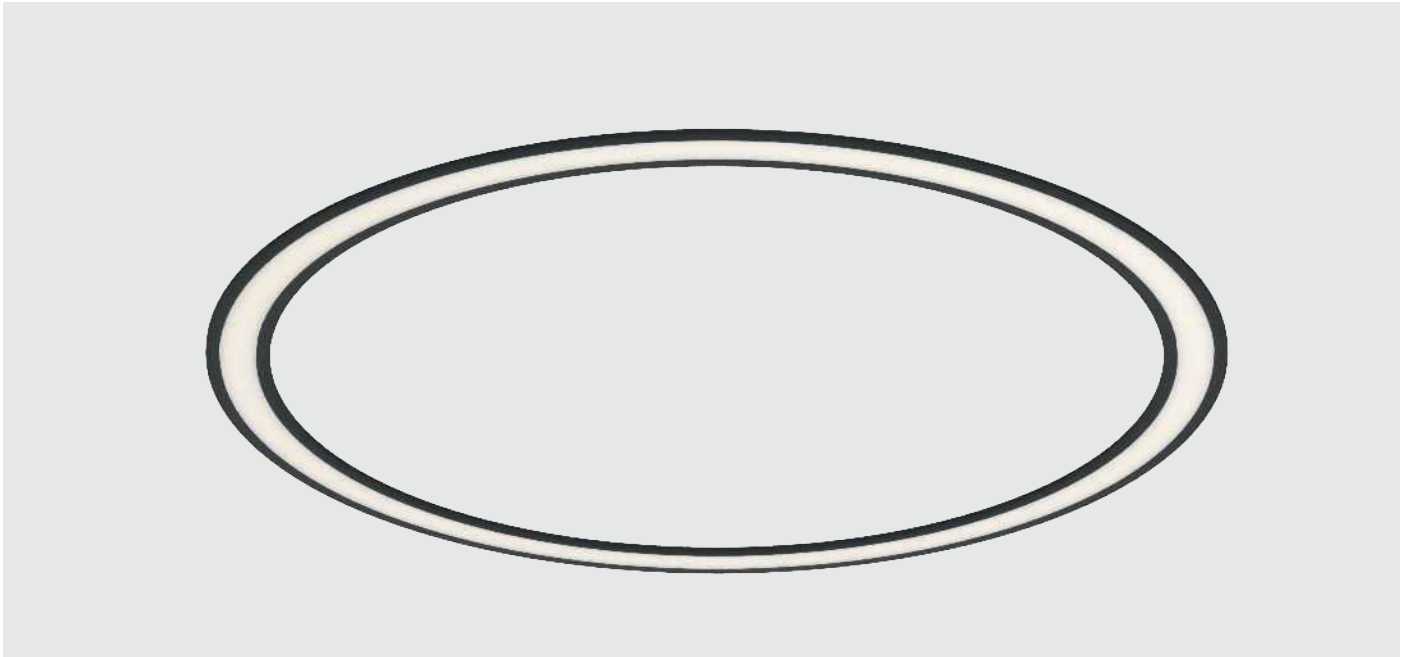
CUTOUT

Size [mm]	length [mm]	width [mm]	depth [mm]
632	624	78	140
992	984	78	140
1.232	1.224	78	140
1.472	1.464	78	140
1.712	1.704	78	140
1.952	1.944	78	140
2.192	2.184	78	140
2.432	2.424	78	140
2.912	2.904	78	140
3.152	3.144	78	140
3.874	3.866	78	140

Alle Lumenangaben für 4000K, CRI>80, Microprisma ohne Opalfolie
 All lumen values for 4000K, CRI>80, microprism without opal foil
 Toutes les données de lumens pour 4000K, CRI>80, microprisme sans feuille opale

RING50

EINBAULEUCHE | RECESSED LUMINAIRE | LUMINAIRE ENCASTRABLE



Ringförmige LED-Einbauleuchte mit umlaufendem Rahmen, direktstrahlend. Lichtkanal aus gerolltem Aluminiumprofil mit einer Gesamtbreite von 63 mm. Leuchte erhältlich in neun verschiedenen Durchmessern – 1233 und 1588 mm in einem Stück nahtlos verschweißt – die restlichen Größen (2033, 2608, 3103, 3548, 4083, 5063, 6088 mm) bestehend aus zwei bis neun gleich großen Segmenten. Oberfläche der Leuchte feinstruktur matt pulverbeschichtet ähnlich RAL 9016 weiß, RAL 9006 silber oder RAL 9005 schwarz – auf Anfrage in RAL nach Wahl. Diffusor wahlweise in PMMA opal oder PMMA klar mit mikroprismatischer Prägung für eine reduzierte Leuchtdichte (UGR<19). Der LED-Treiber ist im Leuchtgehäuse integriert – wahlweise als on/off oder DALI-Variante. Farbtemperaturen 2700K, 3000K, 4000K oder dynamisch Weiß (2700K–6500K) – Farbwiedergabe CRI>80 oder CRI>90 – Mac Adam ≤ 3 . Weitere Steuerungsoptionen oder Lichtfarben auf Anfrage erhältlich. Außerdem ist die Integration vieler Komponenten, wie beispielsweise Notlicht oder Sensortechnologie, sowie eine Vielzahl weiterer Optionen möglich.

Ring-shaped recessed LED luminaire with surrounding frame, direct beam. Light channel made of rolled aluminium profile with a total width of 63 mm. Luminaire available in nine different diameters - 1233 and 1588 mm seamlessly welded in one piece - the remaining sizes (2033, 2608, 3103, 3548, 4083, 5063, 6088 mm) consisting of two to nine equally sized segments. Surface of the luminaire fine structure matt powder coated similar to RAL 9016 white, RAL 9006 silver or RAL 9005 black - on request in RAL of choice. Diffuser either in PMMA opal or PMMA clear with microprismatic pattern for reduced luminance (UGR<19). The LED driver is integrated in the luminaire housing - either as on/off or DALI version. Colour temperatures 2700K, 3000K, 4000K or dynamic white (2700K-6500K) - colour rendering CRI>80 or CRI>90 - Mac Adam ≤ 3 . Further control options or light colours available on request. In addition, the integration of many components, such as emergency lighting or sensor technology, as well as a variety of other options is possible.

Luminaire LED encastré en forme d'anneau avec cadre périphérique, éclairage direct. Canal lumineux en profilé d'aluminium roulé d'une largeur totale de 63 mm. Luminaire disponible en neuf diamètres différents - 1233 et 1588 mm en une seule pièce soudée sans soudure - les autres tailles (2033, 2608, 3103, 3548, 4083, 5063, 6088 mm) se composent de deux à neuf segments de même taille. Surface du luminaire à structure fine matte revêtue par poudre similaire à RAL 9016 blanc, RAL 9006 argent ou RAL 9005 noir - sur demande en RAL au choix. Diffuseur au choix en PMMA opale ou en PMMA transparent avec gaufrage microprismatique pour un éblouissement réduit (UGR<19). Le driver LED est intégré dans le boîtier du luminaire - au choix en version on/off ou DALI. Températures de couleur 2700K, 3000K, 4000K ou blanc dynamique (2700K-6500K) - Rendu des couleurs CRI>80 ou CRI>90 - Mac Adam ≤ 3 . Autres options de commande ou couleurs de lumière disponibles sur demande. En outre, l'intégration de nombreux composants, tels que l'éclairage de secours ou la technologie des capteurs, une multitude d'autres options sont possibles.

ÜBERSICHT | OVERVIEW | VUE D'ENSEMBLE

TECHNICAL DATA

2700K / 3000K / 4000K / 2700-6500K

CRI>80 / CRI>90

MacAdam ≤ 3

up to 119 lm/W

on-off / DALI

direct

opal / microprism (UGR <19)

LIFETIME

L80B10 50.000h

OPTIONS

emergency lighting

motion and day-light sensor

many more on demand

HOUSING COLOUR

schwarz | black | noir
RAL 9005



silber | silver | argent
RAL 9006



weiß | white | blanc
RAL 9016



RAL-Farbe nach Wahl auf Anfrage
RAL colour of your choice on demand
Couleur RAL de votre choix sur demande



>80

>90

IP40

DALI

≤ 3

>50.000 h

EINBAULEUCHE „RING50“
RECESSED LUMINAIRE “RING50”
LUMINAIRE ENCASTRABLE « RING50 »

Bestellbeispiel | Example order | Exemple de commande
 6.088 mm, CRI>90, 4000K, **direct**, low output on/off, black, microprism

RG50E - 609401 - LOBLM

1 2 3 4 5 6

1 DURCHMESSER DIFFUSER DIFFUSEUR	
1.233 mm (no DW)	12
1.588 mm (no DW)	15
2.033 mm	20
2.608 mm	26
3.103 mm	31
3.548 mm	35
4.083 mm	40
5.063 mm	50
6.088 mm	60

2 FARBWIEDERGABE COLOUR RENDERING RENDU DES COULEURS	
CRI>80	8
CRI>90	9

3 FARBTemperatur COLOUR TEMPERATURE TEMPÉRATURE DE COULEUR	
2700K (CRI>90 only)	27
3000K	30
4000K	40
2700-6500K (CRI>90 only)	DW

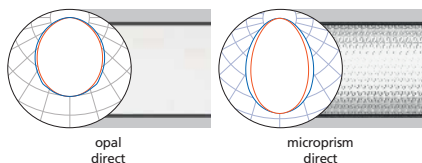
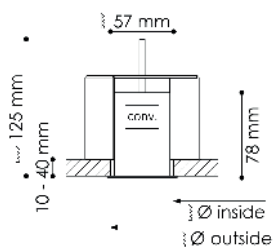
4 LEISTUNG & STEUERUNG OUTPUT & CONTROL SORTIE & CONTRÔLE	
low output on/off	LO
low output DALI	LD
high output on/off	HO
high output DALI	HD
dynamic white DALI DT8	DW

5 GEHÄUSEFARBE HOUSING COLOUR COULEUR DU BOÎTIER	
silver RAL9006	SI
white RAL9016	WH
black RAL9005	BL

6 DIFFUSOR DIFFUSER DIFFUSEUR	
opal	O
microprism	M



Ø 1233 / 1588 / 2033 / 2608 / 3103 /
 3548 / 4083 / 5063 / 6088 mm



CUTOUT

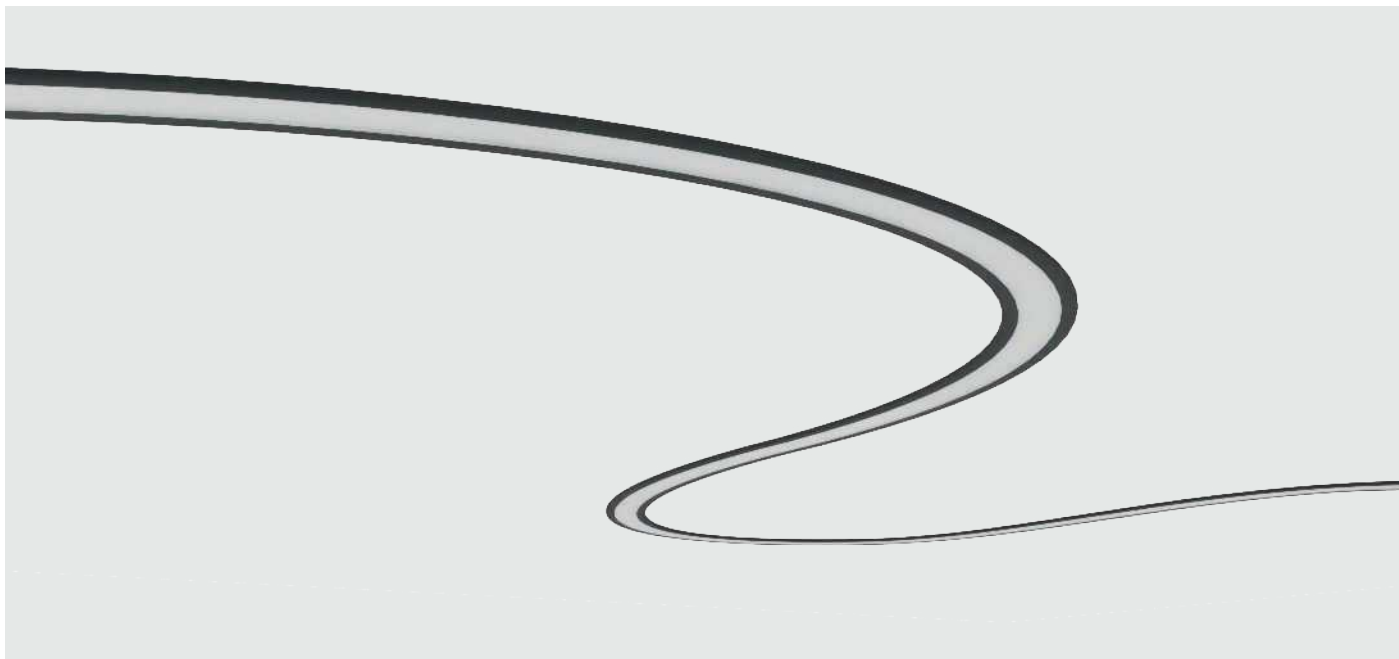
Size [mm]	opal direct		microprism direct		kg
	low output [lm] / [W]	high output [lm] / [W]	low output [lm] / [W]	high output [lm] / [W]	
Ø 1.233	4.888 / 44,7	8.376 / 72,5	5.026 / 44,7	8.616 / 72,5	10,3
Ø 1.588	6.110 / 59	10.470 / 90,6	6.283 / 59	10.770 / 90,6	13,3
Ø 2.033	7.943 / 76,7	13.611 / 117,8	8.168 / 76,7	14.001 / 117,8	17,0
Ø 2.608	10.387 / 100,3	17.799 / 154	10.681 / 100,3	18.309 / 154	21,9
Ø 3.103	12.220 / 118	20.940 / 181,2	12.566 / 118	21.540 / 181,2	26,1
Ø 3.548	14.053 / 135,7	24.081 / 208,4	14.451 / 135,7	24.771 / 208,4	29,8
Ø 4.083	15.886 / 153,4	27.222 / 235,6	16.336 / 153,4	28.002 / 235,6	34,3
Ø 5.063	20.163 / 194,7	34.551 / 299	20.734 / 194,7	35.541 / 299	42,6
Ø 6.088	23.829 / 230,1	40.833 / 353,3	24.504 / 230,1	42.003 / 353,3	51,3

Size [mm]	inside [mm]	outside [mm]	depth [mm]
Ø 1.233	Ø 1.113	Ø 1.227	125
Ø 1.588	Ø 1.468	Ø 1.582	125
Ø 2.033	Ø 1.913	Ø 2.027	125
Ø 2.608	Ø 2.488	Ø 2.602	125
Ø 3.103	Ø 2983	Ø 3.097	125
Ø 3.548	Ø 3.428	Ø 3.542	125
Ø 4.083	Ø 3.963	Ø 4.077	125
Ø 5.063	Ø 4.943	Ø 5.057	125
Ø 6.088	Ø 5.968	Ø 6.082	125

Alle Lumenangaben für 4000K, CRI>80, Gehäusefarbe weiß
 All lumen values for 4000K, CRI>80, housing colour white
 Toutes les données de lumens pour 4000K, CRI>80, couleur du boîtier blanc

FLEX50

EINBAULEUCHE | RECESSED LUMINAIRE | LUMINAIRE ENCASTRABLE




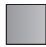


LED-Einbauleuchte als Segment zur individuellen Kombination. Direktstrahlend. Lichtkanal aus gerolltem Aluminiumprofil mit einer Breite von 63 mm. Segmente erhältlich in 13 verschiedenen Varianten – zwei Stück als gerades Profil 980 oder 1960 mm – die restlichen Segmente sind als 40°, 45°, 60°- bzw. 90°-Stücke mit einem Mittenradius von 585 bis 3012,5 mm erhältlich. Oberfläche der Leuchte feinstruktur matt pulverbeschichtet ähnlich RAL 9016 weiß, RAL 9006 silber oder RAL 9005 schwarz – auf Anfrage in RAL nach Wahl. Diffusor wahlweise in PMMA opal oder PMMA mit mikroprismatischer Prägung für eine reduzierte Leuchtdichte (UGR<19). Der LED-Treiber ist im Leuchtgehäuse integriert – wahlweise als on/off oder DALI-Variante. Farbtemperaturen 2700K, 3000K, 4000K oder dynamisch Weiß (2700K–6500K) – Farbwiedergabe CRI>80 oder CRI>90 – Mac Adam ≤3. Weitere Steuerungsoptionen oder Lichtfarben auf Anfrage erhältlich. Außerdem ist die Integration vieler Komponenten, wie beispielsweise Notlicht oder Sensortechnologie, sowie eine Vielzahl weiterer Optionen möglich.

Recessed LED luminaire as segment for individual combination. Direct beam. Light channel made of rolled aluminium profile with a width of 63 mm. Segments available in 13 different versions - two pieces as straight profile 980 or 1960 mm - the remaining segments are available as 40°, 45°, 60° or 90° pieces with a middle radius of 585 to 3012.5 mm. Surface of the luminaire fine structure matt powder coated similar to RAL 9016 white, RAL 9006 silver or RAL 9005 black - on request in RAL of choice. Diffuser either in PMMA opal or PMMA clear with microprismatic pattern for reduced luminance (UGR<19). The LED driver is integrated in the luminaire housing - either as on/off or DALI version. Colour temperatures 2700K, 3000K, 4000K or dynamic white (2700K-6500K) - colour rendering CRI>80 or CRI>90 - Mac Adam ≤3. Further control options or light colours available on request. In addition, the integration of many components, such as emergency lighting or sensor technology, as well as a variety of other options is possible.

Luminaire LED encastré a segment pour une combinaison individuelle. Éclairage direct de la surface. Canal lumineux en profilé d'aluminium roulé d'une largeur de 63 mm. Segments disponibles en 13 variantes différentes - deux pièces sous forme de profilé droit de 980 ou 1960 mm - les autres segments sont disponibles sous forme de pièces de 40°, 45°, 60° ou 90° avec un rayon central de 585 à 3012,5 mm. Surface du luminaire à structure fine matte revêtue par poudre similaire à RAL 9016 blanc, RAL 9006 argent ou RAL 9005 noir - sur demande en RAL au choix. Diffuseur au choix en PMMA opale ou en PMMA transparent avec gaufrage microprismatique pour un éblouissement réduit (UGR<19). Le pilote LED est intégré dans le boîtier du luminaire - au choix sous forme de variante on/off ou DALI. Températures de couleur 2700K, 3000K, 4000K ou blanc dynamique (2700K-6500K) - Rendu des couleurs CRI>80 ou CRI>90 - Mac Adam ≤3. Autres options de commande ou couleurs de lumière disponibles sur demande. En outre, l'intégration de nombreux composants, tels que l'éclairage de secours ou la technologie de détection, une multitude d'autres options sont possibles.



ÜBERSICHT | OVERVIEW | VUE D'ENSEMBLE

TECHNICAL DATA	
2700K / 3000K / 4000K / 2700-6500K	
CRI>80 / CRI>90	
MacAdam ≤ 3	
up to 119 lm/W	
on-off / DALI	
direct	
opal / microprism (UGR <19)	

HOUSING COLOUR	
schwarz black noir RAL 9005	
silber silver argent RAL 9006	
weiß white blanc RAL 9016	
RAL-Farbe nach Wahl auf Anfrage RAL colour of your choice on demand Couleur RAL de votre choix sur demande	

LIFETIME
L80B10 50.000h

OPTIONS
emergency lighting
motion and day-light sensor
many more on demand

 LED	 CRI	 CRI	 IP20	 DALI	 SDCM	 ≤3	 >50.000 h
>80	>90	IP20	DALI	≤3	>50.000 h		

EINBAULEUCHE „FLEX50“
RECESSED LUMINAIRE “FLEX50”
LUMINAIRE ENCASTRABLE « FLEX50 »

Bestellbeispiel | Example order | Exemple de commande
 straight, 1.960 mm, CRI>90, 4000K, **direct**, low output on/off, black, microprism

FX50E - L29401 - LOBLM

1 2 3 4 5 6

1 GRÖSSE SIZE TAILLE	
straight, L 980 mm	L1
straight, L 1.960 mm	L2
90°, R 585 mm (no DW)	19
90°, R 762,5 mm (no DW)	29
90°, R 985 mm	39
45°, R 1.272,5 mm	44
90°, R 1.272,5 mm	49
60°, R 1.520 mm	56
90°, R 1.520 mm	59
60°, R 1.742,5 mm	66
60°, R 2.010 mm	76
45°, R 2.500 mm	84
40°, R 3.012,5 mm	94

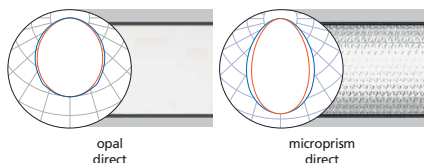
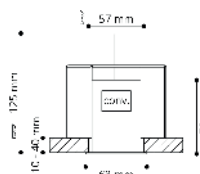
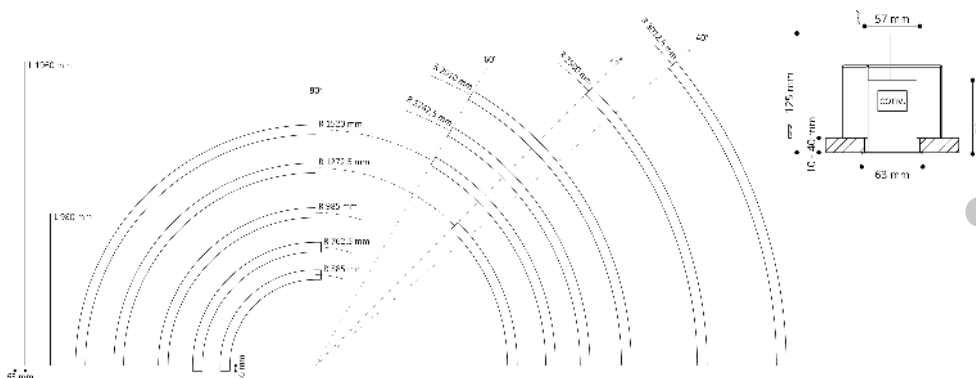
2 FARBWIEDERGABE COLOUR RENDERING RENDU DES COULEURS	
CRI>80	8
CRI>90	9

3 FARBTEMPERATUR COLOUR TEMPERATURE TEMPÉRATURE DE COULEUR	
2700K (CRI>90 only)	27
3000K	30
4000K	40
2700-6500K (CRI>90 only)	DW

4 LEISTUNG & STEUERUNG OUTPUT & CONTROL SORTIE & CONTRÔLE	
low output on/off	LO
low output DALI	LD
high output on/off	HO
high output DALI	HD
dynamic white DALI DT8	DW

5 GEHÄUSEFARBE HOUSING COLOUR COULEUR DU BOÎTIER	
silver RAL9006	SI
white RAL9016	WH
black RAL9005	BL

6 DIFFUSOR DIFFUSER DIFFUSEUR	
opal	O
microprism	M



Size [mm]	opal direct		microprism direct		Kc
	low output [lm] / [W]	high output [lm] / [W]	low output [lm] / [W]	high output [lm] / [W]	
straight, L 980	1.222 / 11,2	2.094 / 18,1	1.257 / 11,2	2.153 / 18,1	2,6
straight, L 1.960	2.554 / 23,3	4.377 / 37,8	2.626 / 23,3	4.377 / 37,8	5,3
90°, R 585	1.224 / 11,2	2.096 / 18,1	1.256 / 11,2	2.156 / 18,1	2,6
90°, R 762,5	1.530 / 14	2.620 / 22,7	1.570 / 14	2.695 / 22,7	3,3
90°, R 985	1.836 / 16,8	3.144 / 27,2	1.884 / 16,8	3.234 / 27,2	4,3
45°, R 1.272,5	1.224 / 11,2	2.096 / 18,1	1.256 / 11,2	2.156 / 18,1	2,7
90°, R 1.272,5	2.448 / 22,4	4.192 / 36,2	2.512 / 22,4	4.312 / 36,2	5,5
60°, R 1.520	1.836 / 16,8	3.144 / 27,2	1.884 / 16,8	3.234 / 27,2	4,3
90°, R 1.520	3.060 / 28	5.240 / 45,3	3.140 / 28	5.390 / 45,3	6,5
60°, R 1.742,5	2.142 / 19,6	3.668 / 31,7	2.198 / 19,6	3.773 / 31,7	5,0
60°, R 2.010	2.754 / 25,2	4.716 / 40,8	2.826 / 25,2	4.851 / 40,8	5,7
45°, R 2.500	2.448 / 22,4	4.192 / 36,2	2.512 / 22,4	4.312 / 36,2	5,3
40°, R 3.012,5	2.754 / 25,2	4.716 / 40,8	2.826 / 25,2	4.851 / 40,8	5,7

ACCESSORIES

END CAPS - 2 pcs.	
black	FX50E-EC-BL
silver	FX50E-EC-SI
white	FX50E-EC-WH



CUTOUT

Size [mm]	width [mm]	depth [mm]
	57	125

Alle Lumenangaben für 4000K, CRI>80, Gehäusefarbe weiß
 All lumen values for 4000K, CRI>80, housing colour white
 Toutes les données de lumens pour 4000K, CRI>80, couleur du boîtier blanc

ROUND90

Einbauleuchte | Recessed luminaire | Luminaire encastrable



Runde LED-Flächenleuchte zur Einbaumontage. Direktstrahlend mit umlaufendem Rahmen. Gehäuse und Einbaurahmen aus gerolltem Aluminiumprofil, nahtlos verschweißt. Fertigung der Leuchte inkl. Rahmen in vier Durchmessern: 380, 480, 680 und 980 mm mit einer Gesamthöhe von 93 mm. Benötigte Einbauhöhe 120mm. Oberfläche pulverbeschichtet feinststruktur matt ähnlich RAL 9016 weiß, RAL 9006 silber oder RAL 9005 schwarz – auf Anfrage in RAL nach Wahl. Die durchdachte Konstruktion der Leuchte ermöglicht ein Design in zahlreichen Farbkombinationen – zwischen Gehäusefarbe und Dekorring kann beliebig kombiniert werden. Um der Leuchtenfamilie neben den Standardfarben einen dekorativen Touch zu verleihen, steht der Dekorring auch in den strukturierten Spezialoberflächen schlaggold, schlagsilber und schlagbronze zur Auswahl. Diffusor in PMMA wahlweise opal, mikroprismatisch inkl. Streufole oder nur mikroprismatisch (office special) für eine reduzierte Leuchtdichte (UGR<19). Einfach Montage der Leuchte in den Einbaurahmen (separate Einheit) durch Einsetzen und Drehen. Der LED-Treiber wird als Einwurf-Gerät inkl. Zugentlastung mitgeliefert – wahlweise als on/off oder DALI-Variante. Farbtemperaturen 2700K, 3000K, 4000K oder dynamisch Weiß (2700K–6500K) – Farbwiedergabe CRI>80 oder CRI>90 – Mac Adam ≤3. Weitere Steuerungsoptionen oder Lichtfarben auf Anfrage möglich. Außerdem ist die Integration vieler Komponenten, wie beispielsweise Notlicht oder Sensortechnologie, sowie eine Vielzahl weiterer Optionen möglich.

Round LED luminaire for recessed mounting. Direct beam with surrounding frame. Housing and mounting frame made of rolled aluminium profile, seamlessly welded. Manufacture of luminaire incl. frame in four diameters: 380, 480, 680 and 980 mm with a total height of 93 mm. Required installation height 120mm. Surface powder coated fine structure matt similar to RAL 9016 white, RAL 9006 silver or RAL 9005 black - on request in RAL of your choice. The sophisticated construction of the luminaire allows a design in numerous colour combinations - any combination of housing colour and decorative ring is possible. To give the luminaire family a decorative touch in addition to the standard colours, the decorative ring is also available in the special textured surfaces beaten gold, beaten silver and beaten bronze. Diffuser in PMMA either opal, microprism incl. diffuser foil or only microprism (office special) for reduced luminance (UGR<19). Easy mounting of the luminaire in the mounting frame (separate unit) by inserting and turning. The LED driver is supplied as a throw-in unit incl. strain relief - either as on/off or DALI version. Colour temperatures 2700K, 3000K, 4000K or dynamic white (2700K-6500K) - colour rendering CRI>80 or CRI>90 - Mac Adam ≤3. Further control options or light colours available on request. In addition, the integration of many components, such as emergency lighting or sensor technology, as well as a variety of other options is possible.

Luminaire rond LED encastré. Éclairage direct avec cadre périphérique. Boîtier et cadre d'encastrement en profilé d'aluminium roulé, soudé sans soudure. Fabrication du luminaire, cadre inclus, en quatre diamètres : 380, 480, 680 et 980 mm avec une hauteur totale de 93 mm. Hauteur d'encastrement nécessaire : 120 mm. Surface revêtue par poudre, structure fine mate similaire à RAL 9016 blanc, RAL 9006 argent ou RAL 9005 noir - sur demande en RAL au choix. La construction bien pensée du luminaire permet un design dans de nombreuses combinaisons de couleurs - il est possible de combiner à volonté entre la couleur du boîtier et l'anneau décoratif. Pour donner à la famille de luminaires une touche décorative en plus des couleurs standard, l'anneau décoratif est également disponible dans les surfaces spéciales structurées or choc, argent choc et bronze choc. Diffuseur en PMMA au choix opale, microprismatique y compris feuille diffuseuse ou uniquement microprismatique (office special) pour un éblouissement réduit (UGR<19). Montage simple du luminaire dans le cadre d'encastrement (unité séparée) en l'insérant et en le tournant. Le driver LED est fourni sous forme d'appareil à insérer, décharge de traction incluse - au choix en version on/off ou DALI. Températures de couleur 2700K, 3000K, 4000K ou blanc dynamique (2700K-6500K) - Rendu des couleurs CRI>80 ou CRI>90 - Mac Adam ≤3. Autres options de commande ou couleurs de lumière possibles sur demande. En outre, l'intégration de nombreux composants, tels que l'éclairage de secours ou la technologie des capteurs, une multitude d'autres options sont possibles.

ÜBERSICHT | OVERVIEW | VUE D'ENSEMBLE

TECHNICAL DATA
2700K / 3000K / 4000K / 2700-6500K
CRI>80 / CRI>90
MacAdam ≤ 3
up to 174 lm/W
on-off / DALI
direct / direct + indirect
opal / microprism / office special (UGR <19)

LIFETIME
L80B10 50.000h

OPTIONS
emergency lighting
motion and day-light sensor
many more on demand

LED	CRI	CRI	IP50	DALI	SDCM	>50.000 h
	>80	>90			≤3	

HOUSING COLOUR	
schwarz black noir RAL 9005	
silber silver argent RAL 9006	
weiß white blanc RAL 9016	
RAL-Farbe nach Wahl auf Anfrage RAL colour of your choice on demand Couleur RAL de votre choix sur demande	

DECORATION RING COLOUR			
schwarz black noir RAL 9005		schlaggold beaten gold or texturés	
silber silver argent RAL 9006		schlagsilber beaten silver argent texturés	
weiß white blanc RAL 9016		schlagbronze beaten bronze bronze texturés	
RAL-Farbe nach Wahl auf Anfrage RAL colour of your choice on demand Couleur RAL de votre choix sur demande			

EINBAULEUCHE „ROUND90“
RECESSED LUMINAIRE “ROUND90”
LUMINAIRE ENCASTRABLE « ROUND90 »

Bestellbeispiel | Example order | Exemple de commande
 380 mm, CRI>90, 4000K, **direct**, low output on/off, black, beaten gold, microprism

RO90E - 359401 - LOBGM

1 2 3 4 5 6 7

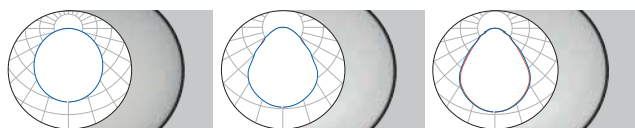
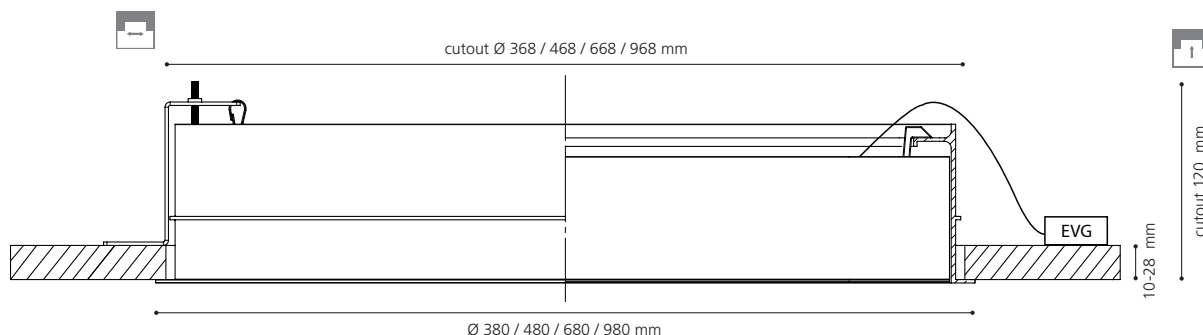
1	DURCHMESSER DIAMETER DIAMÈTRE	
	380 mm	35
	480 mm	45
	680 mm	65
	980 mm	95
2	FARBWIEDERGABE COLOUR RENDERING RENDU DES COULEURS	
	CRI>80	8
	CRI>90	9
3	FARBTEMPERATUR COLOUR TEMPERATURE TEMPÉRATURE DE COULEUR	
	2700K (CRI>90 only)	27
	3000K	30
	4000K	40
	2700-6500K (CRI>90 only)	DW

4	LEISTUNG & STEUERUNG OUTPUT & CONTROL SORTIE & CONTRÔLE	
	low output on/off	LO
	low output DALI	LD
	high output on/off	HO
	high output DALI	HD
	dynamic white DALI DT8	DW

5	GEHÄUSEFARBE HOUSING COLOUR COULEUR DU BOÎTIER	
	silver RAL9006	S
	white RAL9016	W
	black RAL9005	B

6	DEKORRING FARBE DECORATION RING COLOUR BAGUE DÉCORATIVE COULEUR	
	silver RAL9006	B
	white RAL9016	S
	black RAL9005	W
	beaten gold	G
	beaten silver	A
	beaten bronze	C

7	DIFFUSOR DIFFUSER DIFFUSEUR	
	opal	O
	microprism	M
	office special	B



Size [mm]	low output [lm] / [W]	high output [lm] / [W]	low output [lm] / [W]	high output [lm] / [W]	low output [lm] / [W]	high output [lm] / [W]	KG
Ø 380	1.158 / 8,5	1.826 / 13	1.077 / 8,5	1.697 / 13	1.213 / 8,5	1.905 / 13	3,7
Ø 480	2.257 / 15,5	3.561 / 23,5	2.099 / 15,5	3.309 / 23,5	2.364 / 15,5	3.715 / 23,5	5,2
Ø 680	4.114 / 27	6.489 / 41	3.825 / 27	6.029 / 41	4.309 / 27	6.770 / 41	8,9
Ø 980	9.102 / 57	14.360 / 86	8.466 / 57	13.342 / 86	8.466 / 57	13.342 / 86	15,5



CUTOUT

Size [mm]	diameter [mm]	depth [mm]
Ø 380	Ø 368	120
Ø 480	Ø 468	120
Ø 680	Ø 668	120
Ø 980	Ø 968	120

Alle Lumenangaben für 4000K, CRI>80, Gehäusefarbe weiß
 All lumen values for 4000K, CRI>80, housing colour white
 Toutes les données de lumens pour 4000K, CRI>80, couleur du boîtier blanc

designDOT

Einbauleuchte | Recessed luminaire | Luminaire encastrable



Runder LED-Einbaustrahler direktstrahlend. Leuchte aus Aluminium-Druckguss mit einer Einbautiefe von 148 bzw. 171 mm. Durch den modularen Aufbau dieser Strahler-Familie gibt es die Leuchte wahlweise mit einem Durchmesser von 78 mm (Ausschnitt 68 mm) oder 110 mm (Ausschnitt 100 mm). Oberfläche der Leuchte feinstruktur matt pulverbeschichtet ähnlich RAL 9016 weiß oder ähnlich RAL 9005 schwarz. Das Baukasten-system ermöglicht das Auswählen von vier bzw. fünf unterschiedlichen Reflektoren: silber-hochglanz, silber-matt, schwarz-matt, gold-matt sowie silber-matt asymmetrisch für die Größe 110 mm. Die Leuchte kann wahlweise ohne Betriebsgerät oder inkl. LED-Treiber – on/off oder DALI – bestellt werden. Farbtemperaturen 2700K, 3000K oder 4000K – Farbwiedergabe CRI>90 – Mac Adam ≤3. Weitere Optionen und Konfigurationen auf Anfrage möglich.

Round recessed LED spotlight with direct beam. Luminaire made of die-cast aluminium with a mounting depth of 148 or 171 mm. Due to the modular design of this spotlight family, the luminaire is available either with a diameter of 78 mm (cut-out 68 mm) or 110 mm (cut-out 100 mm). Surface of the luminaire fine structure matt powder coated similar to RAL 9016 white or similar to RAL 9005 black. The modular system allows the selection of four or five different reflectors: silver specular, silver matt, black matt, gold matt as well as silver matt asymmetrical for the 110 mm size. The luminaire can be ordered either without power supply unit or incl. LED driver - on/off or DALI. Colour temperatures 2700K, 3000K or 4000K - colour rendering CRI>90 - Mac Adam ≤3. Further options and configurations available on request.

Spot LED rond à encastrer à éclairage direct. Luminaire en aluminium moulé sous pression avec une profondeur d'encastrement de 148 ou 171 mm. Grâce à la structure modulaire de cette famille de projecteurs, le luminaire est disponible au choix avec un diamètre de 78 mm (découpe de 68 mm) ou de 110 mm (découpe de 100 mm). La surface du luminaire est revêtue d'une structure fine mate, similaire au RAL 9016 blanc ou au RAL 9005 noir. Le système modulaire permet de choisir entre quatre ou cinq réflecteurs différents : argent brillant, argent mat, noir mat, or mat ainsi qu'argent mat asymétrique pour la taille 110 mm. Le luminaire peut être commandé au choix sans appareillage ou avec un pilote LED - on/off ou DALI. Températures de couleur 2700K, 3000K ou 4000K - Rendu des couleurs CRI>90 - Mac Adam ≤3. Autres options et configurations possibles sur demande.

ÜBERSICHT | OVERVIEW | VUE D'ENSEMBLE

TECHNICAL DATA

2700K / 3000K / 4000K

CRI>90

MacAdam ≤ 3

on-off / DALI

beam angle: 50° / 55° / asymmetric

LIFETIME

L80B10 50.000h

OPTIONS

emergency lighting

many more on demand



HOUSING COLOUR

schwarz | black | noir
RAL 9005



weiß | white | blanc
RAL 9016



REFLECTOR COLOUR

silber hochglanz | silver specular |
argenté brillant



silber matt | silver matt | argenté mat



schwarz matt | black matt | noir mat



gold matt | gold matt | doré mat



EINBAULEUCHE „designDOT“
RECESSED LUMINAIRE “designDOT”
LUMINAIRE ENCASTRABLE « designDOT »

Bestellbeispiel | Example order | Exemple de commande
 78 mm, 55°, CRI>90, 4000K, direct, excl. driver, black, silver matt

DD68E - 559401 - OOBLM

1 2 3 4 5 6

1	DURCHMESSER	
	DIAMETER	
	DIAMÈTRE	
	78 mm	68
	110 mm	10

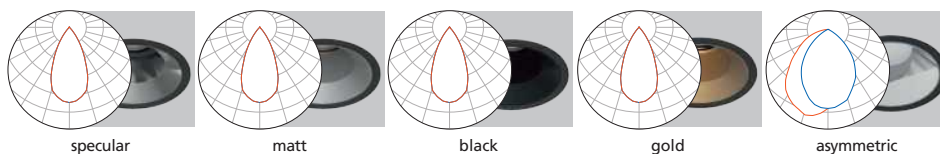
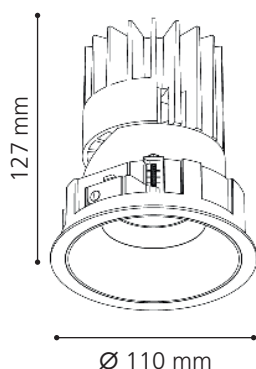
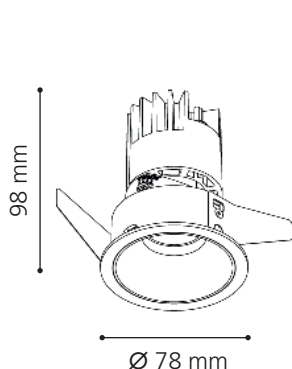
2	ABSTRAHLWINKEL	
	BEAM ANGLE	
	ANGLE DE DIFFUSION	
	50° (110 mm only)	50
	55° (78 mm only)	55
	asymmetric (110 mm only)	AA

3	FARBTEMPERATUR	
	COLOUR TEMPERATURE	
	TEMPÉRATURE DE COULEUR	
	2700K	27
	3000K	30
	4000K	40

4	LEISTUNG & STEUERUNG	
	OUTPUT & CONTROL	
	SORTIE & CONTRÔLE	
	excl. driver	NN
	incl. driver on/off	OO
	incl. driver DALI	DD

5	GEHÄUSEFARBE	
	HOUSING COLOUR	
	COULEUR DU BOÎTIER	
	white RAL9016	WH
	black RAL9005	BL

6	REFLEKTOR FARBE	
	REFLECTOR COLOUR	
	COULEUR DU RÉFLECTEUR	
	silver specular	S
	silver matt	M
	black matt	B
	gold matt	G
	asymmetric (110 mm only)	A



Size [mm]	specular	matt	black	gold	asymmetric	KG
Ø 78	single output [lm] / [W] 873 / 13	single output [lm] / [W] 860 / 13	single output [lm] / [W] 869 / 13	single output [lm] / [W] 873 / 13	-	0,5
Ø 110	single output [lm] / [W] 1.382 / 20	single output [lm] / [W] 1.389 / 20	single output [lm] / [W] 1.389 / 20	single output [lm] / [W] 1.382 / 20	single output [lm] / [W] 553 / 20	0,8



CUTOUT

Size [mm]	diameter [mm]	depth [mm]
Ø 78	Ø 68	148
Ø 110	Ø 100	171

Alle Lumenangaben für 4000K
 All lumen values for 4000K
 Toutes les données de lumens pour 4000K

designSQOT

EINBAULEUCHTE | RECESSED LUMINAIRE | LUMINAIRE ENCASTRABLE



Quadratischer LED-Einbaustrahler direktstrahlend. Leuchte aus Aluminium-Druckguss mit einer Einbautiefe von 148 bzw. 171 mm. Durch den modularen Aufbau dieser Strahler-Familie gibt es die Leuchte wahlweise mit den Abmessungen 78x78 mm (Ausschnitt 68x68 mm) oder 107x107 mm (Ausschnitt 96x96 mm). Oberfläche der Leuchte feinstruktur matt pulverbeschichtet ähnlich RAL 9016 weiß oder ähnlich RAL 9005 schwarz. Das Baukastensystem ermöglicht das Auswählen von vier bzw. fünf unterschiedlichen Reflektoren: silberhochglanz, silber-matt, schwarz-matt, gold-matt sowie silber-matt asymmetrisch für die Größe 107x107 mm. Die Leuchte kann wahlweise ohne Betriebsgerät oder inkl. LED-Treiber – on/off oder DALI – bestellt werden. Farbtemperaturen 2700K, 3000K oder 4000K – Farbwidrigkeit CRI>90 – Mac Adam ≤3. Weitere Optionen und Konfigurationen auf Anfrage möglich.

Square recessed LED spotlight with direct beam. Luminaire made of die-cast aluminium with a mounting depth of 148 or 171 mm. Due to the modular design of this spotlight family, the luminaire is available either with the dimensions 78x78 mm (cut-out 68x68 mm) or 107x107 mm (cut-out 96x96 mm). Surface of the luminaire fine structure matt powder coated similar to RAL 9016 white or similar to RAL 9005 black. The modular system allows the selection of four or five different reflectors: silver specular, silver matt, black matt, gold matt as well as silver matt asymmetrical for the size 107x107 mm. The luminaire can be ordered either without power supply unit or incl. LED driver - on/off or DALI. Colour temperatures 2700K, 3000K or 4000K - colour rendering CRI>90 - Mac Adam ≤3. Further options and configurations available on request.

Spot LED encastré carré à éclairage direct. Luminaire en aluminium moulé sous pression avec une profondeur d'encastrément de 148 ou 171 mm. Grâce à la structure modulaire de cette famille de projecteurs, le luminaire est disponible au choix dans les dimensions 78x78 mm (découpe 68x68 mm) ou 107x107 mm (découpe 96x96 mm). La surface du luminaire est revêtue d'une structure fine mate, similaire au RAL 9016 blanc ou au RAL 9005 noir. Le système modulaire permet de choisir entre quatre ou cinq réflecteurs différents : argent brillant, argent mat, noir mat, or mat ainsi qu'argent mat asymétrique pour la taille 107x107 mm. Le luminaire peut être commandé au choix sans appareillage ou avec un pilote LED - on/off ou DALI. Températures de couleur 2700K, 3000K ou 4000K - Rendu des couleurs CRI>90 - Mac Adam ≤3. Autres options et configurations possibles sur demande.

ÜBERSICHT | OVERVIEW | VUE D'ENSEMBLE

TECHNICAL DATA

2700K / 3000K / 4000K

CRI>90

MacAdam ≤ 3

on-off / DALI

beam angle: 50° / 55° / asymmetric

LIFETIME

L80B10 50.000h

OPTIONS

emergency lighting

many more on demand



>90

IP20

DALI

≤3

>50.000 h

HOUSING COLOUR

schwarz | black | noir
RAL 9005



weiß | white | blanc
RAL 9016



REFLECTOR COLOUR

silber hochglanz | silver specular |
argenté brillant



silber matt | silver matt | argenté mat



schwarz matt | black matt | noir mat



gold matt | gold matt | doré mat



EINBAULEUCHE „designSQOT“
RECESSED LUMINAIRE“designSQOT“
LUMINAIRE ENCASTRABLE « designSQOT »

Bestellbeispiel | Example order | Exemple de commande
 78 x 78 mm, 55°, CRI>90, 4000K, **direct**, excl. driver, black, silver matt

DS68E - 559401 - OOBLM

1 2 3 4 5 6

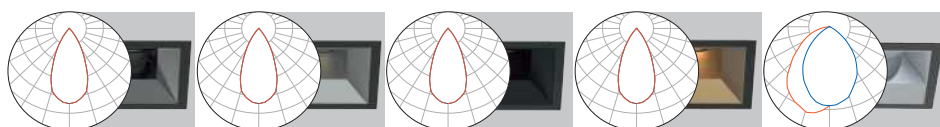
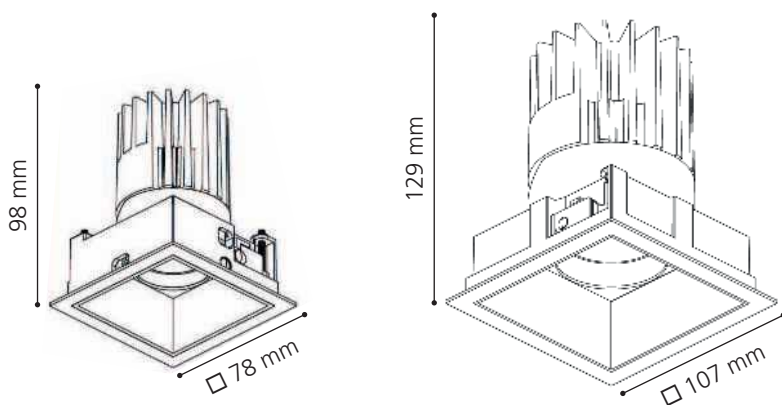
1	GRÖSSE SIZE TAILLE	
	78 x 78 mm	68
	107 x 107 mm	10
2	ABSTRAHLWINKEL BEAM ANGLE ANGLE DE DIFFUSION	
	50° (107 mm only)	50
	55° (78 mm only)	55
	asymmetric (107 mm only)	AA

3	FARBTEMPERATUR COLOUR TEMPERATURE TEMPÉRATURE DE COULEUR	
	2700K	27
	3000K	30
	4000K	40

4	LEISTUNG & STEUERUNG OUTPUT & CONTROL SORTIE & CONTRÔLE	
	excl. driver	NN
	incl. driver on/off	OO
	incl. driver DALI	DD

5	GEHÄUSEFARBE HOUSING COLOUR COULEUR DU BOÎTIER	
	white RAL9016	WH
	black RAL9005	BL

6	REFLEKTOR FARBE REFLECTOR COLOUR COULEUR DU RÉFLECTEUR	
	silver specular	S
	silver matt	M
	black matt	B
	gold matt	G
	asymmetric (107 mm only)	A



Size [mm]	specular single output [lm] / [W]	matt single output [lm] / [W]	black single output [lm] / [W]	gold single output [lm] / [W]	asymmetric single output [lm] / [W]	KG
□ 78	873 / 13	860 / 13	869 / 13	873 / 13	-	0,5
□ 107	1.382 / 20	1.389 / 20	1.389 / 20	1.382 / 20	553 / 20	0,8



CUTOUT

Size [mm]	cutout [mm]	depth [mm]
□ 78	□ 68	148
□ 107	□ 96	171

Alle Lumenangaben für 4000K
 All lumen values for 4000K
 Toutes les données de lumens pour 4000K



Runder LED-Einbaudownlight direktstrahlend. Leuchte aus Aluminium-Druckguss mit einer Einbautiefe von 122, 150 bzw. 180 mm. Durch den modularen Aufbau dieser Strahler-Familie gibt es die Leuchte wahlweise mit einem Durchmesser von 84 mm (Ausschnitt 75 mm), 162 mm (Ausschnitt 150 mm) oder 216 mm (Ausschnitt 200 mm). Oberfläche der Leuchte feinstruktur matt pulverbeschichtet ähnlich RAL 9016 weiß oder ähnlich RAL 9005 schwarz. Das Baukastensystem ermöglicht das Auswählen von zwei unterschiedliche Reflektor-Farben: silber-matt oder schwarz-matt für eine reduzierte Leuchtdichte (UGR<19). Die Leuchte kann wahlweise ohne Betriebsgerät oder inkl. LED-Treiber in verschiedenen Leistungsstufen – on/off oder DALI – bestellt werden. Farbtemperaturen 3000K oder 4000K für alle Größen, dynamisch Weiß (2700K–6500K) nur für die Größen 162 und 216 mm – Farbwiedergabe CRI>90 – Mac Adam ≤3. Weitere Optionen und Konfigurationen auf Anfrage möglich.

Round recessed LED downlight with direct beam. Luminaire made of die-cast aluminium with a mounting depth of 122, 150 or 180 mm. Due to the modular design of this spotlight family, the luminaire is available either with a diameter of 84 mm (cut-out 75 mm), 162 mm (cut-out 150 mm) or 216 mm (cut-out 200 mm). Surface of the luminaire fine structure matt powder coated similar to RAL 9016 white or similar to RAL 9005 black. The modular system allows the selection of two different reflector colours: matt silver or matt black for reduced luminance (UGR<19). The luminaire can be ordered either without power supply unit or incl. LED driver in various power levels - on/off or DALI. Colour temperatures 3000K or 4000K for all sizes, dynamic white (2700K-6500K) only for sizes 162 and 216 mm - colour rendering CRI>90 - Mac Adam ≤3. Further options and configurations available on request.

Spot LED rond à encastrer à éclairage direct. Luminaire en aluminium moulé sous pression avec une profondeur d'encastrement de 148 ou 171 mm. Grâce à la structure modulaire de cette famille de projecteurs, le luminaire est disponible au choix avec un diamètre de 78 mm (découpe de 68 mm) ou de 110 mm (découpe de 100 mm). La surface du luminaire est revêtue d'une structure fine mate, similaire au RAL 9016 blanc ou au RAL 9005 noir. Le système modulaire permet de choisir entre quatre ou cinq réflecteurs différents : argent brillant, argent mat, noir mat, or mat ainsi qu'argent mat asymétrique pour la taille 110 mm. Le luminaire peut être commandé au choix sans appareillage ou avec un pilote LED - on/off ou DALI. Températures de couleur 2700K, 3000K ou 4000K - Rendu des couleurs CRI>90 - Mac Adam ≤3. Autres options et configurations possibles sur demande.

ÜBERSICHT | OVERVIEW | VUE D'ENSEMBLE

TECHNICAL DATA

3000K / 4000K / 2700-6500K

CRI>90

MacAdam ≤ 3

on-off / DALI

beam angle: 50° / 60°

LIFETIME

L80B10 50.000h

OPTIONS

emergency lighting

many more on demand



>90

IP54

DALI

≤3

>50.000 h

HOUSING COLOUR

schwarz | black | noir
RAL 9005



weiß | white | blanc
RAL 9016



REFLECTOR COLOUR

silber matt | silver matt | argenté mat



schwarz matt | black matt | noir mat



EINBAULEUCHE „techDOT“
RECESSED LUMINAIRE “techDOT”
LUMINAIRE ENCASTRABLE « techDOT »

Bestellbeispiel | Example order | Exemple de commande
 162 mm, 60°, CRI>90, 4000K, direct, low output on/off, black, silver matt

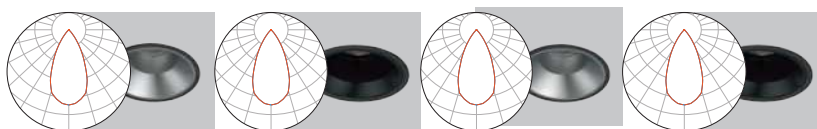
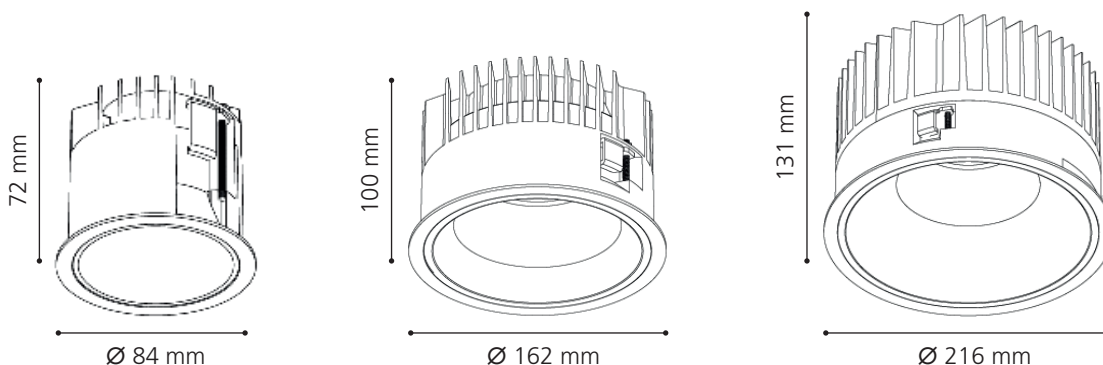
TD15E - 609401 - LOBLM

① ② ③ ④ ⑤ ⑥

1	DURCHMESSER DIAMETER DIAMÈTRE	
	84 mm (NN, OO, DD only)	75
	162 mm	15
	216 mm	20
2	ABSTRAHLWINKEL BEAM ANGLE ANGLE DE DIFFUSION	
	50° (84 mm only)	50
	60° (162 & 216 mm only)	60
3	FARBTEMPERATUR COLOUR TEMPERATURE TEMPÉRATURE DE COULEUR	
	3000K	30
	4000K	40
	2700-6500K	DW

4	LEISTUNG & STEUERUNG OUTPUT & CONTROL SORTIE & CONTRÔLE	
	excl. driver	NN
	driver on/off (84 mm only)	OO
	driver DALI (84 mm only)	DD
	low output on/off	LO
	low output DALI (DM 216 mm only)	LD
	high output on/off	HO
	high output DALI	HD
	dynamic white DALI DT8	DW

5	GEHÄUSEFARBE HOUSING COLOUR COULEUR DU BOÎTIER	
	white RAL9016	WH
	black RAL9005	BL
6	REFLEKTOR FARBE REFLECTOR COLOUR COULEUR DU RÉFLECTEUR	
	silver matt	M
	black matt	B



Size [mm]	output [lm] / [W]	output [lm] / [W]	low output [lm] / [W]	high output [lm] / [W]	low output [lm] / [W]	high output [lm] / [W]	KG
Ø 84	1.077 / 13,5	1.070 / 13,5	-	-	-	-	0,8
Ø 162	-	-	1.333 / 15,5	2.399 / 29	1.277 / 15,5	2.299 / 29	1,1
Ø 216	-	-	2.350 / 26	4.700 / 52	2.300 / 26	4.600 / 52	2,0



CUTOUT

Size [mm]	diameter [mm]	depth [mm]
Ø 84	Ø 75	122
Ø 162	Ø 150	150
Ø 216	Ø 200	180

Alle Lumenangaben für 4000K
 All lumen values for 4000K
 Toutes les données de lumens pour 4000K

techSQOT

Einbauleuchte | RECESSED LUMINAIRE | LUMINAIRE ENCASTRABLE



Quadratischer LED-Einbaudownlight direktstrahlend. Leuchte aus Aluminium-Druckguss mit einer Einbautiefe von 150 bzw. 180 mm. Durch den modularen Aufbau dieser Strahler-Familie gibt es die Leuchte wahlweise mit den Abmessungen 167x167 mm (Ausschnitt 150x150 mm) oder 216x216 mm (Ausschnitt 200x200 mm). Oberfläche der Leuchte feinstruktur matt pulverbeschichtet ähnlich RAL 9016 weiß oder ähnlich RAL 9005 schwarz. Das Baukastensystem ermöglicht das Auswählen von zwei unterschiedlichen Reflektor-Farben: silber-matt oder schwarz-matt für eine reduzierte Leuchtdichte (UGR<19). Die Leuchte kann wahlweise ohne Betriebsgerät oder inkl. LED-Treiber in verschiedenen Leistungsstufen – on/off oder DALI – bestellt werden. Farbtemperaturen 3000K, 4000K oder dynamisch Weiß (2700K–6500K) – Farbwiedergabe CRI>90 – Mac Adam ≤3. Weitere Optionen und Konfigurationen auf Anfrage möglich.

Square recessed LED downlight with direct beam. Luminaire made of die-cast aluminium with a mounting depth of 150 or 180 mm. Due to the modular design of this spotlight family, the luminaire is available either with the dimensions 167x167 mm (cut-out 150x150 mm) or 216x216 mm (cut-out 200x200 mm). Surface of the luminaire fine structure matt powder coated similar to RAL 9016 white or similar to RAL 9005 black. The modular system allows the selection of two different reflector colours: matt silver or matt black for reduced luminance (UGR<19). The luminaire can either be ordered without power supply unit or incl. LED driver in various power levels - on/off or DALI. Colour temperatures 3000K, 4000K or dynamic white (2700K-6500K) - colour rendering CRI>90 - Mac Adam ≤3. Further options and configurations available on request.

Spot encastré à LED carré à éclairage direct. Luminaire en aluminium moulé sous pression avec une profondeur d'encastrément de 150 ou 180 mm. Grâce à la structure modulaire de cette famille de projecteurs, le luminaire est disponible au choix avec les dimensions 167x167 mm (découpe 150x150 mm) ou 216x216 mm (découpe 200x200 mm). La surface du luminaire est revêtue d'une structure fine mate, similaire au RAL 9016 blanc ou au RAL 9005 noir. Le système modulaire permet de choisir entre deux couleurs de réflecteur différentes : argent mat ou noir mat pour un éblouissement réduit (UGR<19). Le luminaire peut être commandé au choix sans appareillage ou avec un pilote LED à différents niveaux de puissance - on/off ou DALI. Températures de couleur 3000K, 4000K ou blanc dynamique (2700K-6500K) - Rendu des couleurs CRI>90 - Mac Adam ≤3. Autres options et configurations possibles sur demande.

ÜBERSICHT | OVERVIEW | VUE D'ENSEMBLE

TECHNICAL DATA

3000K / 4000K / 2700-6500K

CRI>90

MacAdam ≤ 3

on-off / DALI

beam angle: 70°

LIFETIME

L80B10 50.000h

OPTIONS

emergency lighting

many more on demand



>90

IP54

DALI

≤3

>50.000 h

HOUSING COLOUR

schwarz | black | noir
RAL 9005



weiß | white | blanc
RAL 9016



REFLECTOR COLOUR

silber matt | silver matt | argenté mat



schwarz matt | black matt | noir mat



EINBAULEUCHE „techSQOT“
RECESSED LUMINAIRE “techSQOT”
LUMINAIRE ENCASTRABLE « techSQOT »

Bestellbeispiel | Example order | Exemple de commande
 167 x 167 mm, 70°, CRI>90, 4000K, direct, low output on/off, black, silver matt

TS15E - 709401 - LOBLM

1 2 3 4 5

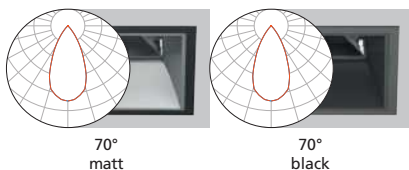
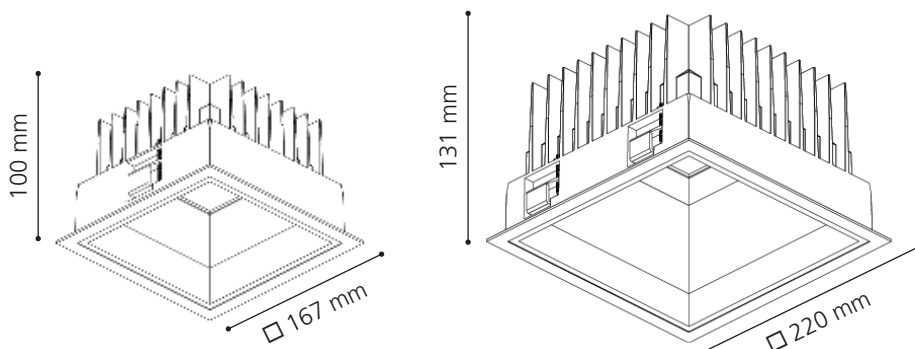
1 GRÖSSE SIZE TAILLE	
167 x 167 mm	15
220 x 220 mm	20

2 FARBTEMPERATUR COLOUR TEMPERATURE TEMPÉRATURE DE COULEUR	
3000K	30
4000K	40
2700-6500K	DW

3 LEISTUNG & STEUERUNG OUTPUT & CONTROL SORTIE & CONTRÔLE	
excl. driver	NN
low output on/off	LO
low output DALI	LD
high output on/off (220 mm only)	HO
high output DALI	HD
dynamic white DALI DT8	DW

4 GEHÄUSEFARBE HOUSING COLOUR COULEUR DU BOÎTIER	
white RAL9016	WH
black RAL9005	BL

5 REFLEKTOR FARBE REFLECTOR COLOUR COULEUR DU RÉFLECTEUR	
silver matt	M
black matt	B



Size [mm]	70° matt		70° black		KG
	low output [lm] / [W]	high output [lm] / [W]	low output [lm] / [W]	high output [lm] / [W]	
□ 167	1.333 / 15,5	2.399 / 29	1.277 / 15,5	2.299 / 29	1,1
□ 220	2.350 / 26	4.700 / 52	2.300 / 26	4.600 / 52	1,8



CUTOUT

Size [mm]	cutout [mm]	depth [mm]
□ 167	□ 150	150
□ 220	□ 200	180

Alle Lumenangaben für 4000K
 All lumen values for 4000K
 Toutes les données de lumens pour 4000K

OVERVIEW

SCHIENENSTRAHLER | TRACK SPOTLIGHTS | *PROJECTEURS SUR RAIL*



trackS
166



trackM
168

SCHIENENSTRAHLER

TRACK SPOTLIGHTS
PROJECTEURS SUR RAIL



LED 3-Phasenschienen-Strahler direktstrahlend. Leuchte aus Aluminium-Druckguss mit einem Durchmesser von 55 mm und einer Höhe von 150 mm. Durch den modularen Aufbau dieser Strahler-Familie gibt es die Leuchte wahlweise mit einem Ausstrahlwinkel von 18°, 36° oder 50°. Oberfläche der Leuchte feinstruktur matt pulverbeschichtet ähnlich RAL 9016 weiß oder ähnlich RAL 9005 schwarz. Ausblending des Strahlers schwarz matt. Die Leuchte kann wahlweise mit inTrack-Adapter on/off oder DALI bestellt werden. Farbtemperaturen 2700K, 3000K oder 4000K – Farbwiedergabe CRI>90 – Mac Adam ≤3. Weitere Optionen und Konfigurationen auf Anfrage möglich.

LED 3-phase track spotlight direct beam. Luminaire made of die-cast aluminium with a diameter of 55 mm and a height of 150 mm. Due to the modular design of this spotlight family, the luminaire is either available with a beam angle of 18°, 36° or 50°. Surface of the luminaire fine structure matt powder coated similar to RAL 9016 white or similar to RAL 9005 black. Fade-out ring of the spotlight matt black. The luminaire can be ordered with inTrack adapter either on/off or DALI. Colour temperatures 2700K, 3000K or 4000K - colour rendering CRI>90 - Mac Adam ≤3. Further options and configurations available on request.

Projecteur LED triphasé sur rail à éclairage direct. Luminaire en aluminium moulé sous pression d'un diamètre de 55 mm et d'une hauteur de 150 mm. Grâce à la structure modulaire de cette famille de projecteurs, le luminaire est disponible au choix avec un angle de rayonnement de 18°, 36° ou 50°. Surface du luminaire à structure fine, revêtement par poudre mat similaire à RAL 9016 blanc ou similaire à RAL 9005 noir. Anneau du projecteur noir mat. Le luminaire peut être commandé au choix avec un adaptateur inTrack on/off ou DALI. Températures de couleur 2700K, 3000K ou 4000K - Rendu des couleurs CRI>90 - Mac Adam ≤3. Autres options et configurations possibles sur demande.

ÜBERSICHT | OVERVIEW | VUE D'ENSEMBLE

TECHNICAL DATA

2700K / 3000K / 4000K

CRI>90

MacAdam ≤ 3

inTrack adapter: on-off / DALI

beam angle: 18° / 36° / 50°

LIFETIME

L80B10 50.000h

OPTIONS

different control options

many more on demand



>90

IP20

DALI

≤3

>50.000 h

HOUSING COLOUR

schwarz | black | noir
RAL 9005



weiß | white | blanc
RAL 9016



REFLECTOR COLOUR

schwarz matt | black matt | noir mat



SCHIENENSTRAHLER „trackS“
 TRACK SPOTLIGHT “trackS”
 PROJECTEUR SUR RAIL « trackS »

Bestellbeispiel | Example order | Exemple de commande
 36°, CRI>90, 4000K, **direct**, inTrack adapter on/off, black, **black**

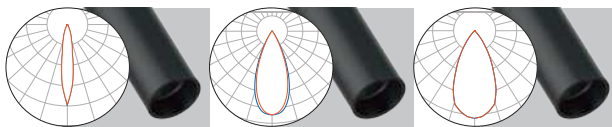
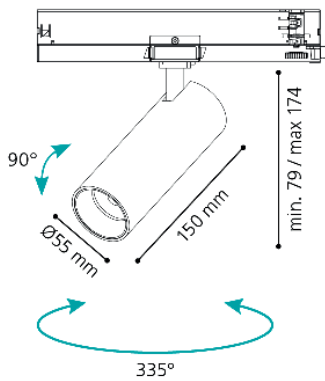
TS55T - 369401 - OOBLB


1 2 3 4

1	ABSTRAHLWINKEL	
	BEAM ANGLE	
	ANGLE DE DIFFUSION	
	18°	18
	36°	36
	50°	50
2	FARBTEMPERATUR	
	COLOUR TEMPERATURE	
	TEMPÉRATURE DE COULEUR	
	2700K	27
	3000K	30
	4000K	40

3	LEISTUNG & STEUERUNG	
	OUTPUT & CONTROL	
	SORTIE & CONTRÔLE	
	on/off	OO
	DALI (Stucchi, ONEtrack/Global)	DD

4	GEHÄUSEFARBE	
	HOUSING COLOUR	
	COULEUR DU BOÎTIER	
	white RAL9016	WH
	black RAL9005	BL



Size [mm]	output [lm] / [W]	output [lm] / [W]	output [lm] / [W]	 [kg]
trackS	1.202 / 15,4	1.293 / 15,4	1.309 / 15,4	1,1

Alle Lumenangaben für 4000K
 All lumen values for 4000K
 Toutes les données de lumens pour 4000K



LED3-Phasen-Schienen-Strahler direktstrahlend. Leuchte aus Aluminium-Druckguss mit einem Durchmesser von 72 mm und einer Höhe von 150 mm. Durch den modularen Aufbau dieser Strahler-Familie gibt es die Leuchte wahlweise mit einem Ausstrahlwinkel von 20° oder 55°. Oberfläche der Leuchte feinstruktur matt pulverbeschichtet ähnlich RAL 9016 weiß oder ähnlich RAL 9005 schwarz. Ausblending des Strahlers schwarz matt. Die Leuchte kann wahlweise mit inTrack-Adapter on/off oder DALI bestellt werden. Farbtemperaturen 2700K, 3000K, 4000K sowie special-COB LEDs für Fashion (3250K), Backwaren, Fleisch, Wurst, Fisch oder Gemüse – Farbwiedergabe CRI>90 bzw. CRI>95 für Fashion – Mac Adam ≤3. Weitere Optionen und Konfigurationen auf Anfrage möglich.

LED 3-phase track spotlight direct beam. Luminaire made of die-cast aluminium with a diameter of 72 mm and a height of 150 mm. Due to the modular design of this spotlight family, the luminaire is either available with a beam angle of 20° or 55°. Surface of the luminaire fine structure matt powder coated similar to RAL 9016 white or similar to RAL 9005 black. Fade-out ring of the spotlight black matt. The luminaire can be ordered with inTrack adapter either on/off or DALI. Colour temperatures 2700K, 3000K, 4000K as well as special COB LEDs for fashion (3250K), bakery, meat, sausage, fish or vegetables - colour rendering CRI>90 or CRI>95 for fashion - Mac Adam ≤3. Other options and configurations available upon request.

Projecteur LED triphasé sur rail à éclairage direct. Luminaire en aluminium moulé sous pression d'un diamètre de 72 mm et d'une hauteur de 150 mm. Grâce à la structure modulaire de cette famille de projecteurs, le luminaire est disponible au choix avec un angle de rayonnement de 20° ou de 55°. Surface du luminaire à structure fine, revêtement par poudre mat similaire à RAL 9016 blanc ou similaire à RAL 9005 noir. Anneau du projecteur noir mat. Le luminaire peut être commandé au choix avec un adaptateur inTrack on/off ou DALI. Températures de couleur 2700K, 3000K, 4000K ainsi que LED COB spéciales pour la mode (3250K) et l'alimentaire - Rendu des couleurs CRI>90 ou CRI>95 pour la mode - Mac Adam ≤3. Autres options et configurations possibles sur demande

ÜBERSICHT | OVERVIEW | VUE D'ENSEMBLE

TECHNICAL DATA

2700K / 3000K / 4000K / many special COBs

CRI>90 / CRI>95 (fashion)

MacAdam ≤ 3

inTrack adapter: on-off / DALI

beam angle: 20° / 55°

LIFETIME

L80B10 50.000h

OPTIONS

different control options

many more on demand

HOUSING COLOUR

schwarz | black | noir
RAL 9005

weiß | white | blanc
RAL 9016

REFLECTOR COLOUR

schwarz matt | black matt | noir mat



SCHIENENSTRAHLER „trackM“
TRACK SPOTLIGHT “trackM”
PROJECTEUR SUR RAIL « trackM »

Bestellbeispiel | Example order | Exemple de commande
 20°, CRI>90, 4000K, **direct**, inTrack adapter on/off, black, **black**

TM72T - 209401 - OOBLB

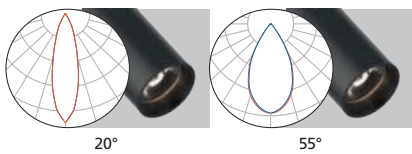
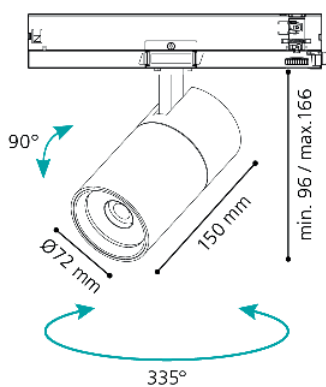
1 2 3 4

1 ABSTRAHLWINKEL BEAM ANGLE ANGLE DE DIFFUSION	
20°	20
55°	55

2 FARBTEMPERATUR COLOUR TEMPERATURE TEMPÉRATURE DE COULEUR	
2700K	27
3000K	30
fashion 3500K (CRI>95)	35
4000K	40
bakery	BA
meat	ME
sausage	SA
fish	FI
vegetables	VE

3 LEISTUNG & STEUERUNG OUTPUT & CONTROL SORTIE & CONTRÔLE	
on/off	OO
DALI (Stucchi, ONEtrack/Global)	DD

4 GEHÄUSEFARBE HOUSING COLOUR COULEUR DU BOÎTIER	
white RAL9016	WH
black RAL9005	BL



Size [mm]	output [lm] / [W]	output [lm] / [W]	[kg]
trackM	2.100 / 26,6	2.050 / 26,6	1,5

Alle Lumenangaben für 4000K
 All lumen values for 4000K
 Toutes les données de lumens pour 4000K

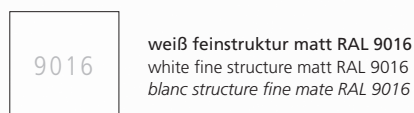
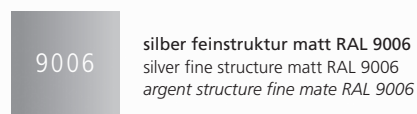
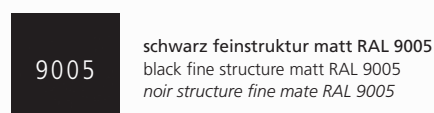
FARBENVARIABILITÄT GEHÄUSEFARBEN NACH RAL

COLOUR VARIABILITY – RAL HOUSING COLOURS

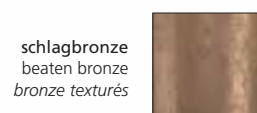
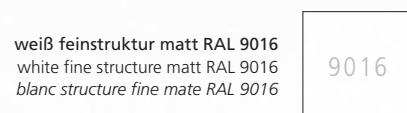
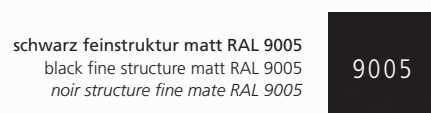
VARIABILITÉ DES COULEURS – COULEURS DU BOÎTIER RAL

Standardfarben
default colours
couleurs par défaut

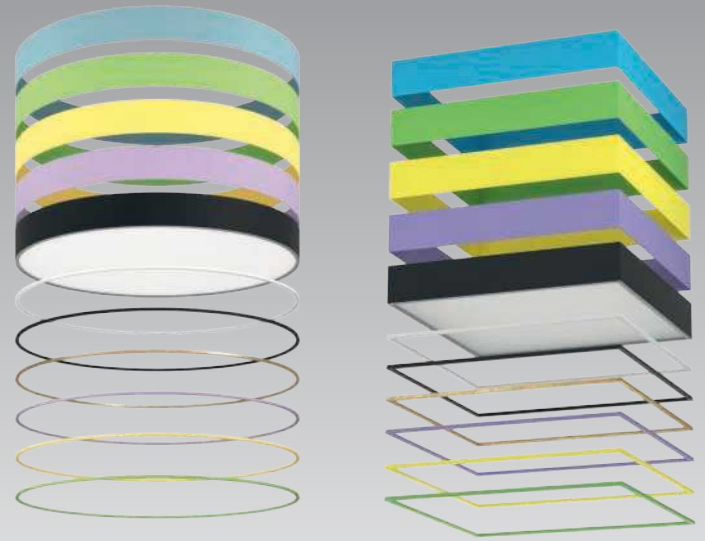
GEHÄUSE | HOUSING | LOGEMENT



DEKORRING | DECORATION RING | DÉCOR ANNEAU
ROUND90 & SQUARE90

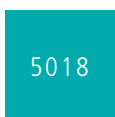


RAL-Farbe nach Wahl auf Anfrage
 RAL colour of your choice on demand
 couleur RAL de votre choix sur demande



1001	1003	1004	1013	1014					
1015	1016	1018	1019	1021					
1023	1035	1036	2000	2001					
2003	2008	2009	3000	3002	3003	3009	3011	3013	
3016	3018	3020	3031	3032	3033	4005	4010	4011	
4012	5002	5004	5010	5012	5013	5018	5023	5024	
5025	5026	6013	6014	6017	6018	6019	6027	6034	
7001	7004	7006	7011	7012	7013	7015	7016	7021	
7022	7024	7030	7031	7032	7035	7037	7038	7039	
7043	7044	7047	7048	8003	8011	8012	8016	8017	
8019	8024	8028	8029	9001	9003	9011	9017	9022	

EGLO colour RAL 5018



LEGENDE & PIKTOGRAMME

LEGEND & PICTOGRAMS | *LÉGENDE & PICTOGRAMMES*

FASSUNGEN | SOCKETS | DOUILLES

LED LED

FUNKTIONEN & KOMFORT | FONCTIONS & CONFORT

	Colour Rendering Index
	MacADAM Step
	Lebensdauer lifetime <i>durée de vie</i>
	dimmbar dimmable <i>graduable</i>
	nicht dimmbar not dimmable <i>ne pas graduable</i>
	vereinheitlichte Blendungsbewertung unified Glare Rating <i>d'Évaluation unifiée de l'éblouissement</i>
	Ausstrahlwinkel beam angle <i>angle de rayonnement</i>
	schwenkbar swiveling <i>tournant</i>
	drehbar rotatable <i>rotatif</i>
	Ausschnitt (in mm) cutout (in mm) <i>perçage du panneau (en mm)</i>
	Ausschnitt (in mm) cutout (in mm) <i>perçage du panneau (en mm)</i>
	Einbautiefe (in mm) Mounting Depth (in mm) <i>Profondeur de montage (en mm)</i>
	Einbaubreite (in mm) installation width (in mm) <i>largeur d'installation (en mm)</i>
	Volt Voltage <i>Voltage</i>
	Batterie battery <i>pile</i>
	austauschbare LED replaceable LED <i>LED remplaçables</i>
	Insect-protected insektengeschützt <i>Protection contre les insectes</i>
	ball-proof ballwurfsicher <i>anti-balles</i>

BESONDERER FUNKTIONEN
SPECIAL LEVEL OF FUNCTION | NIVEAU SPÉCIAL DE FONCTION



insektengeschützt | insect-protected | *protection contre les insectes*

Es handelt sich hier um eine insekten- und staubgeschützte Leuchte. Hierbei ist zumindest das Leuchtgehäuse und die sichtbare Leuchtfläche so geschützt, dass keine Insekten eindringen können. (Entspricht IP50).

This is an insect- and dust-proof luminaire. In this case, at least the luminaire housing and the visible illuminated surface shall be protected in such a way that insects cannot penetrate. (equivalent to IP50).

Il s'agit d'un luminaire résistant aux insectes et à la poussière. Dans ce cas, au moins le boîtier du luminaire et la surface éclairée visible doivent être protégés de manière à empêcher les insectes de pénétrer. (équivalent à IP50).



ballwurfsicher | ball-proof | *anti-balles*

Ballwurfsicherheit nach | Ball-proof according to | *Résistant aux balles selon la norme DIN18032-3*

SCHUTZGRAD | PROTECTION RATING
INDICE DE PROTECTION

Der Schutzgrad gewährleistet die Betriebssicherheit von Leuchten. Die erste Ziffer des IP Grades beschreibt den Schutzzumfang gegen das Eindringen von Fremdkörpern, die zweite Ziffer informiert über den Grad des Feuchtigkeitsschutzes.

The protection rating ensures the operational safety of luminaires. The first number specifies the extent of the protection against the ingress of foreign bodies; the second number identifies the humidity protection grade.

L'indice de protection assure la sécurité opérationnelle des luminaires. Le premier chiffre indique à quel point la protection est efficace contre l'insertion de corps étrangers; le second chiffre indique quant à lui le degré de protection par rapport à l'humidité.



IP20



IP54



IP40



IP65



IP44



IP66



IP50



IP67

SCHUTZKLASSE | PROTECTION CLASS
CLASSE DE PROTECTION

Die Schutzklasse gibt an, inwiefern ein Produkt gegen einen elektrischen Schlag gesichert ist. Alle Leuchten in diesem Katalog sind mit mindestens Schutzklasse 1 gesichert, bei höheren Klassen wird das Symbol im Infokasten der Leuchte angegeben.

The protection class indicates to what extent the luminaire is protected against electric shock. All luminaires in this catalogue are at least protected with the protection class 1 - a higher class is specified in the information box of the respective luminaire.

La classe de protection indique, dans quelle mesure la lampe est protégée contre les chocs électriques. Tous les lampes dans ce catalogue sont protégées au moins avec la classe 1 - une classe plus élevée est indiquée dans l'information de la luminaire.



Schutzklasse 1: Schutzerdung

protection class 1: protective earthing
classe de protection 1: prise de terre



Schutzklasse 2: Schutzisolierung

protection class 2: protective insulation
classe de protection 2: double isolation ou renforcée



Schutzklasse 3: Schutzkleinspannung

protection class 3: protective low voltage
classe de protection 3: très basse tension de sécurité